

METAL CASE SWITCHBOARD METERS

AC Ammeter

Transformer Rated



0-1600 AC Amperes Input: 5AAC

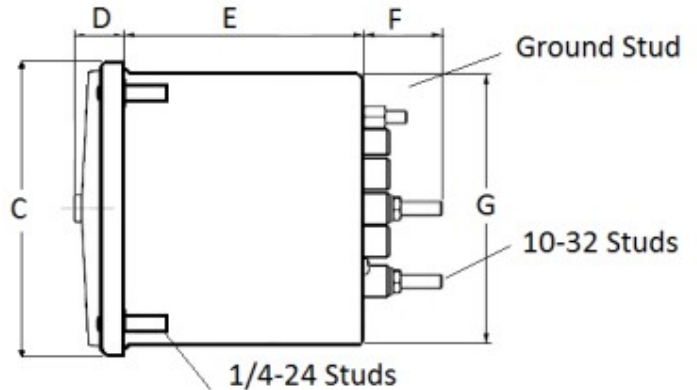
Catalog #: **MCS 103131LSTE**

Ordering #: 1C9820

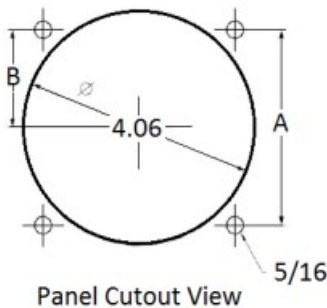
Features:

- Designed For Commercial and industrial use
- Steel case with integrated mounting studs and poly-carbonate cover
- IP54 Sealed case maintains accuracy and prolongs meter life
- Easy to read at any distance or angle
- Clean, clear, easy-to-read dials
- Metal housing shields mechanisms against magnetic fields

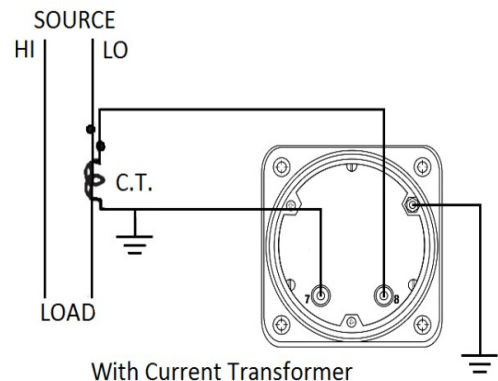
Mounting & Dimensions



Wiring Diagram



| | MCS |
|---|--------|
| | INCHES |
| A | 3.37" |
| B | 1.69" |
| C | 4.30" |
| D | 0.65" |
| E | 2.25" |
| F | 0.98" |
| G | 3.95" |



(800) 766-1212



shop.byramlabs.com

Byram Laboratories, Inc. 1 Columbia Rd. Branchburg, NJ 08876

© 2021 by Byram Laboratories, Inc. All rights reserved.