

# METAL CASE SWITCHBOARD METERS

## DC Ammeter

Use with 50mV shunts and 0.05 Ohm shunt leads (standard 5-foot leads)



**0-1200 DC Amperes** Rating: 50 millivolts

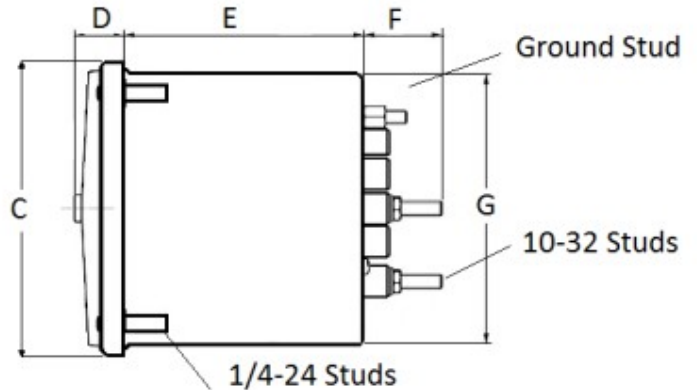
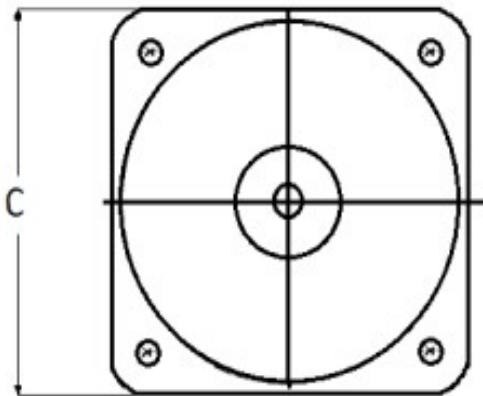
**Catalog #:** MCS 103121CASV

Ordering #: 1D0032

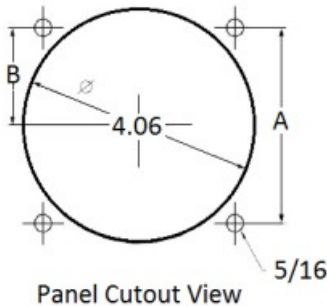
### Features:

- Designed For Commercial and industrial use
- Steel case with integrated mounting studs and poly-carbonate cover
- IP54 Sealed case maintains accuracy and prolongs meter life
- Easy to read at any distance or angle
- Clean, clear, easy-to-read dials
- Metal housing shields mechanisms against magnetic fields

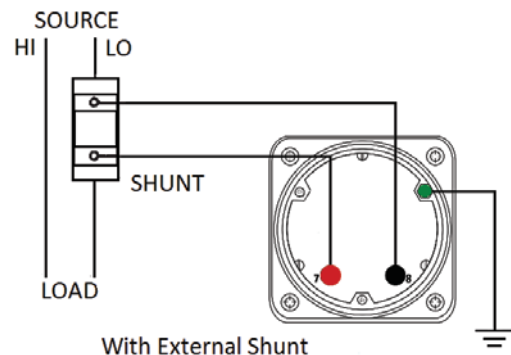
## Mounting & Dimensions



## Wiring Diagram



|   | MCS    |
|---|--------|
|   | INCHES |
| A | 3.37"  |
| B | 1.69"  |
| C | 4.30"  |
| D | 0.65"  |
| E | 2.25"  |
| F | 0.98"  |
| G | 3.95"  |



(800) 766-1212



shop.byramlabs.com

Byram Laboratories, Inc. 1 Columbia Rd. Branchburg, NJ 08876

© 2021 by Byram Laboratories, Inc. All rights reserved.