

# BL5 800:5

## Split Core Current Transformers

The BL5 Series handles medium to high load while retaining compact size.

Accessible from either sides allow electricians to open/close easily during metering & energy management installations and retrofits without dismantling power-line.

The BL5 Window has a window size of 2.0" X 3.5"

Contact your sales person for further information.



### MECHANICAL

|                       |   |
|-----------------------|---|
| Window Size           | 2.0" x 3.5" [50.8mm x 88.9mm]                         |
| Wire Leads            | 6ft [1.8m] 16AWG blk/wht twisted<br>UL1015 105°C 600V |
| Operating Temperature | -15°C to 65°C (90% Rel. Hum.)                         |
| Altitude              | 6,600ft [2012m]                                       |
| Weight                | 1.7Lbs [0.77Kg]                                       |
| Keying Hole           | Plastic rivet for locking or date tag                 |
| Ergonomic             | EZ-Open on either sides, no tool                      |

### ELECTRICAL

|                    |                                   |
|--------------------|-----------------------------------|
| Input (max.)       | 1000A, AC Sine-wave 50/60Hz       |
| Output             | 5A, full-scale                    |
| Accuracy (typical) | 0.5%                              |
| Linearity          | 10% to 120%                       |
| Polarity           | White (X1 - Hi), Black (X2 - Low) |
| Phase Direction    | Arrow points toward Load          |
| Frequency          | 40 to 400Hz                       |

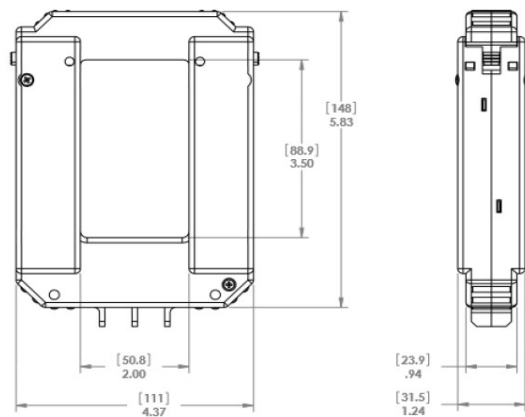
### REGULATORY STANDARDS

|                |  |
|----------------|--|
| Voltage Rating | 600VAC, Category III   |
| Construction   | UL94V-0 flame retardant, thermoplastic<br>2X reinforced insulations, PD2 (optional)  |
| Standards      | IEEE C57.13 & IEC 60044-1<br>UL 61010-1 & CAN/CSA C22.2<br>IEC 61010-2 & ANSI C12.20 |

### INSTALLATION

For indoor use only. Turn off power source before working with CTs. Observe X1X2 polarity and read manufacture's instructions of the equipment you are connecting to CTs for proper installation guide. Professional installations required for safe handling and operation.

### DIMENSIONS [mm]



| Stock  | Model       | Ratio | Accuracy | Burden (VA) |
|--------|-------------|-------|----------|-------------|
| 1C1479 | BL5800RA005 | 800/5 | 0.5      | 3.75        |