

# The “BYRAM” B10

## Single Phase Electric Submeter

### Single Phase 3 Wire 208/240V 100 Amps

**Model# B10-3208100**

The Byram B10 Single Phase meter was designed to meet today's most demanding residential requirements. The patented digital measurement processor offers high accuracy, repeatability, and low ownership costs.

#### Revenue Metering

The Byram B10 meter is a highly accurate revenue meter (0.5 accuracy Class).

#### Flexibility and Future Growth

The B10 series has been developed as a walk up and read meter. Meters are programmed for kWh readings (purchase of energy) but have option for Bi-Directional metering\*.

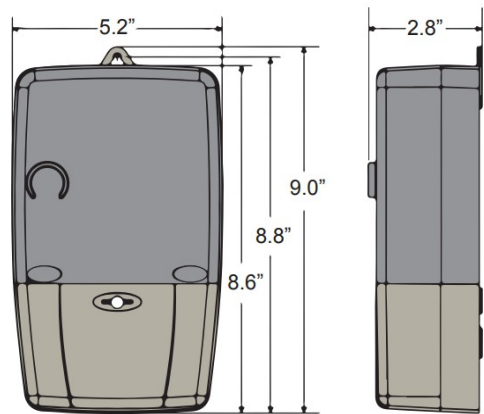
Each B10 meter is capable of being upgraded for remote metering\*\* with additional options of Time of use, and load profile, and interval data.



B10-3208100 Order Number: 1C7319



All Byram meters are shipped with matching transformer(s)



\* The Bi-Directional option is only available at time of order.

\*\* Remote meter reading requires additional hardware and service.

## Technical specifications

Operating Ranges			
<b>Voltage</b>	Nameplate nominal	Operating	Switch control range*
	120 V	96 V to 144 V	108 V to 144 V
<b>Current</b>	0 to Class ampere rating		
<b>Frequency</b>	Nominal 50 Hz or 60 Hz $\pm$ 5 %		
<b>Temperature</b>	-40 °C to +85 °C (inside meter cover)		
<b>Humidity</b>	0 % to 100 % (noncondensing)		
General performance characteristics			
<b>Starting current</b>		100 mA for Class 200 160 mA for Class 320	
<b>Creep 0.000 A (no current)</b>	No more than 1 pulse measured per quantity, conforming to ANSI C12.1 requirements		
<b>Burden</b>	Less than 1.5 W		
<b>Power supply</b>	Linear power supply conforms to FCC Part 15 Class B device		
<b>Primary time base</b>	Relative time maintained by a crystal; real time is provided by the EnergyAxis network		
<b>Communication frequency</b>	902 MHz to 928 MHz (unlicensed)		

**1 Phase, 3 Wire Installation Diagram**

