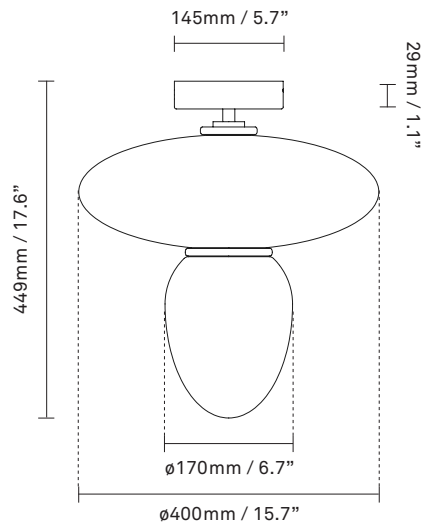


NUURA



RIZZATTO 42
satin brass / opal white

Design: Paolo Rizzato, 2021



Rizzato 42, gives a soft and even light, making it ideal in the bedroom, the kitchen or the hallway. The lamp is mounted directly on the ceiling, making it possible to create unique, decorative ceiling lighting.

Explore the rest of the Rizzato collection on our website, [here](#)

Product no.: EU - 2079001 / US - 3079001

Certifications: CE, ETL, IP20, Class I

Type: Ceiling light - indoor

For information about IP ratings, click [here](#)

Colour: Glass: opal white / Metal: satin brass

Cleaning: Use a soft dry cloth to clean the product.
Do not use household cleaners.

Materials: Anodized metal, mouth-blown glass

Dimensions: \varnothing 400mm / 15.7in x 449mm / 17.6in
Ceiling plate: \varnothing 145mm / 5.7in
x 29mm / 1in

Light source: Socket: E27 / E26 (T38)
Max wattage: 40W LED
Voltage (V): 220-240V / 120V

Weight: 3450g

See recommended light source for EU [here](#)

Packaging: Dimensions: L: 490mm / 19.2 x
W: 240mm / 9.4in x H: 665mm / 26in
Weight: 1210 g
Total weight incl. product: 4660 g
Number of parcels: 1
Material: Brown cardboard.

Light sources not included

Dimmable if installed with appropriate dimmable LED light source(s) suitable for your dimmer circuit.

Light source can be added to delivery on request or via our webshop at [nuura.com](#).

Works with appropriate lighting control module. Module can be added to delivery on request.

Find our recommendations [here](#)