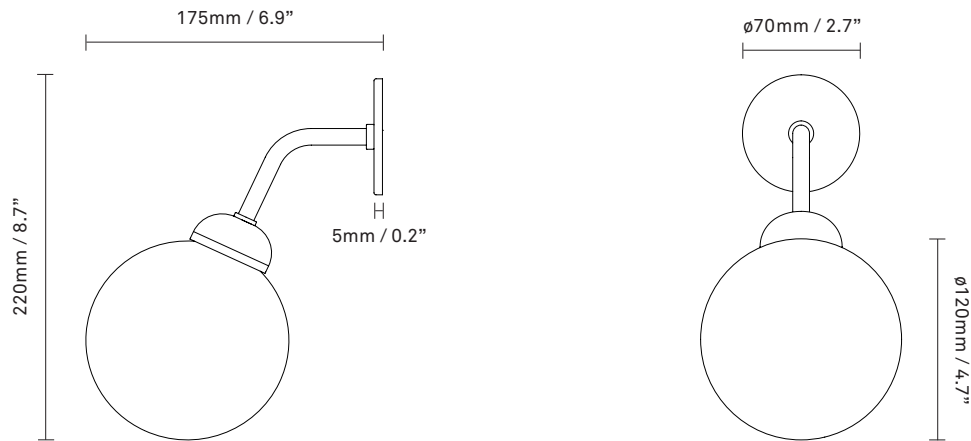


# NUURA



**APIALES WALL HARD-WIRED**  
**satin black / opal**

Design: Sofie Refer, 2021



**Apiales Wall Hard-Wired** is connected directly to the electrical wiring in the wall. A classic wall plate version of the Apiales Wall lamp is also available.

Explore the rest of the **Apiales collection** on our website, [here](#)

**Product no.:** EU - 2055004 / US - 3055004

**Certifications:** CE, ETL, IP20, Class I

**Type:** Wall light - Indoor

**For information about IP ratings, click [here](#)**

**Colour:** Glass: opal white / Metal: brushed brass

**Cleaning:** Use a soft dry cloth to clean the product.  
Do not use household cleaners.

**Materials:** Anodized metal, mouth-blown glass

**Dimensions:** 175mm / 6,9in x 220mm / 8,7in  
Glass:  $\varnothing$ 120 / 4,7in

**Light source:** Socket: G9  
Max wattage: 5W LED  
Voltage (V): 220-240V / 120V

**Weight:** Armature + glass: 420g

**Packaging:** Dimensions: L: 355mm / 13.9in  
x W: 150mm / 5.9in x H: 155mm / 6.1in  
Weight: 260g  
Total weight incl. product: 620g  
Number of parcels: 1  
Material: Brown cardboard

**See recommended light source [here](#)**

**Light source not included**

**Dimmable if installed with appropriate dimmable LED light source(s) suitable for your dimmer circuit.**

Light source can be added to delivery on request or via our webshop [nuura.com](#).

Works with appropriate lighting control module. Module can be added to delivery on request.

**Find our recommendations [here](#)**