



INSTRUCTION MANUAL

Product Overview



EXTREME CONDITIONS

0°F to 176°F (-18°C to 80°C)
operating range

IP54 RATED

Splashproof and dust
protection



3300MAH

Powerful, built-in
rechargeable lithium ion
battery

TEMPERATURE ADJUSTMENT

8 device settings from
330°F to 440°F
(160°C to 230°C)



SMARTPHONE CONTROL

Pair with Smartphone for Precise
control of: Temperature, Session
Time and Temperature Boost

ULTRA-STEALTH NOTIFICATION

Vibrations signify
device readiness



STIR TOOL

Remove to stir,
mix and pack

MICRO USB CHARGING PORT

Allows use while recharging



ERGONOMIC DESIGN

Rubberized,
easy-grip contouring

ADVANCED AIR PATH

Laser welded stainless steel
continuous pathway



2Y WARRANTY

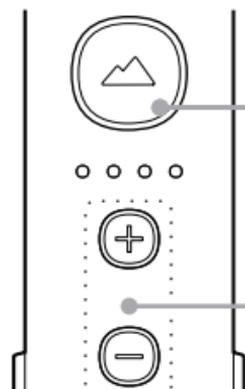
Manufacturers warranty

CUSTOMER SERVICE

+1 844 GO VAPIUM
www.vapium.com



Button Behavior



Press and hold 3 seconds: Power ON/ OFF

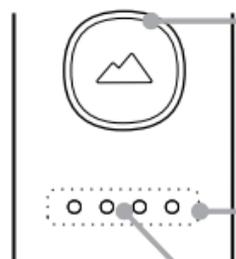
Tap for initiating heating in Standby Mode

Temperature Buttons (+) (-)

+ BUTTON: Increase Temperature (press or hold)

- BUTTON: Decrease Temperature (press or hold)

LED Behavior



BLACK: OFF

BLUE (SOLID): Standby

BLUE (FLASHING): Paired to Smartphone

GREEN: GO Time!

RED: Recharge

Battery Display (White LED)

BLINKING: Charging

SOLID: Battery Level

Temperature Display (Colored LED)

BLINKING: Heating/Adjusting

SOLID: Maintaining

Vibration Notification

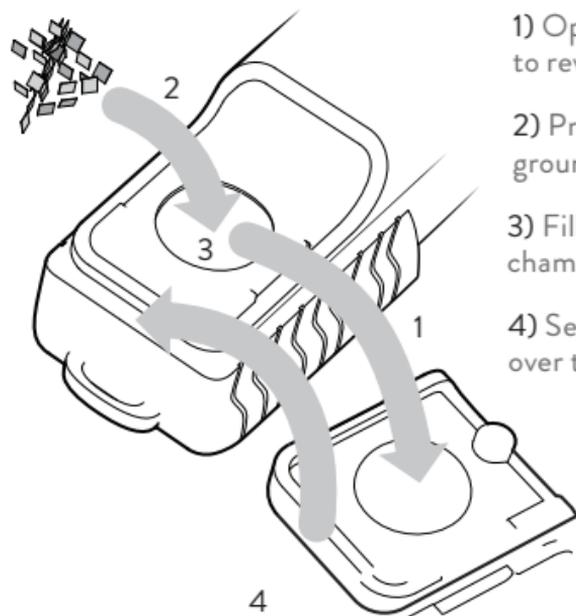


1 VIBRATION: Power ON (into Standby)

2 VIBRATIONS: Power OFF

3 VIBRATIONS: GO Time

Loading Aromatic Blends



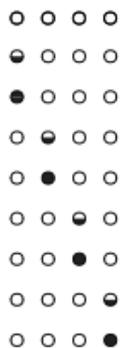
1) Open magnetic lid to reveal heating chamber.

2) Prepare finely ground aromatic blends.

3) Fill the heating chamber to the top.

4) Secure the magnetic lid over the heating chamber.

Temperature Display...



...And corresponding heating chamber temperature presets:

Temp 1 (half BLUE) – 320°F / 160°C

Temp 2 (BLUE) – 338°F / 170°C

Temp 3 (half YELLOW) – 356°F / 180°C

Temp 4 (YELLOW) – 374°F / 190°C

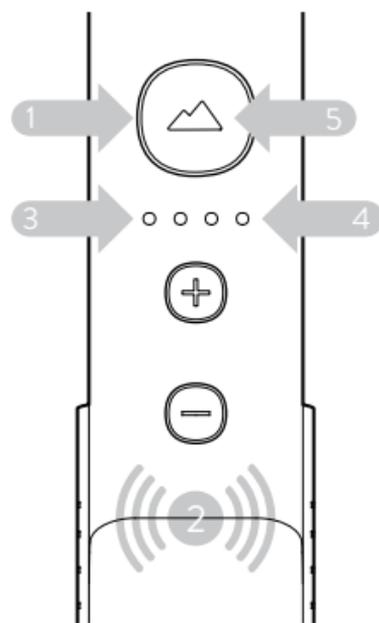
Temp 5 (half ORANGE) – 392°F / 200°C

Temp 6 (ORANGE) – 410°F / 210°C

Temp 7 (half RED) – 428°F / 220°C

Temp 8 (RED) – 446°F / 230°C

Powering ON (from OFF)



- 1) Press and Hold GO Button for 3 seconds until it lights up Blue
 - 2) Feel the Vibration Notification
 - 3) Battery Level is displayed for 1 second
 - 4) Blinking Temperature LED indicates warming of the heating chamber
 - 5) GO Button Lights up Green
- Its GO Time!

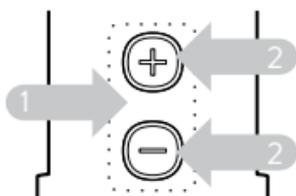
Powering ON (From Standby)

- 1) Press the GO Button
- 2) Follow steps 2-5 as above

TIPS

- Heating Chamber heats up in as little as 35-45 seconds.
- Feel free to adjust heating Chamber temperature up or down with +/- buttons

Session Time Adjustment

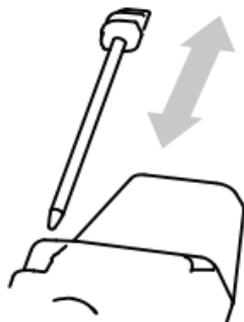


Ensure GO Button is lit up Green or Blue

- 1) Press and Hold both the (+) and (-) buttons simultaneously
- 2) Individually press the (+) or (-) buttons to increase or decrease the Session Time (30, 60, 90, 120 seconds)
- 3) White LED will indicate session time

- | | |
|---------|-------------------------------|
| • • • • | • 4 White LEDs... 120 Seconds |
| • • • ○ | • 3 White LEDs... 90 Seconds |
| • • ○ ○ | • 2 White LEDs... 60 Seconds |
| • ○ ○ ○ | • 1 White LED... 30 Seconds |

Built in Pick/Pack Tool



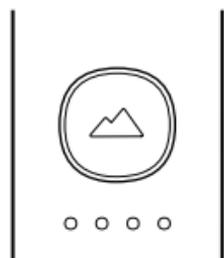
Top 3 reasons to use the Pick/Pack Tool

- 1) To secure and remove oven screen
- 2) To stir materials at any point before, during or after a session
- 3) To easily remove materials in preparation for a reload.

TIPS

- Always keep the Pick/Pack tool clean before inserting back into the housing
- Use a key to assist removing the Pick/Pack tool from the housing if its stuck

Powersaving



AUTOMATIC SHUT OFF

Automatic shut off timer will turn OFF after 30 minutes of non-use.

MANUAL SHUT OFF

Press and hold the GO Button for 3 seconds.

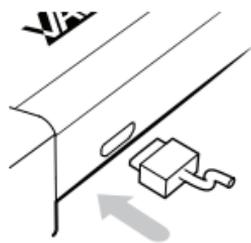
TIPS

- During Recharging pressing the GO Button for 3 seconds will stop the heating process and return into Recharging mode.

Performance

- Press GO Button / adjust temperature anytime!
- GO Button stays green for 90 seconds, then returns to Standby Mode.
- Open up the heating chamber lid and stir the aromatic blends anytime within 15 seconds and the heating cycle will resume.
- GO Button will turn Blue when lid removed.
- Temperature LED turns solid when lid removed during warming.
- When adjusting to a new temperature and GO Button is Green, it will take about 10 seconds to stabilize at the new temperature.

Recharging



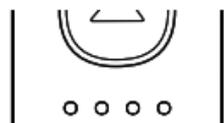
Plug the micro USB connector into the base and the other end into a USB port.

While recharging the battery level, White LEDs will blink.

A solid White LED indicates current charge level.
Approximately 3h to full recharge.



LED Battery Indicator

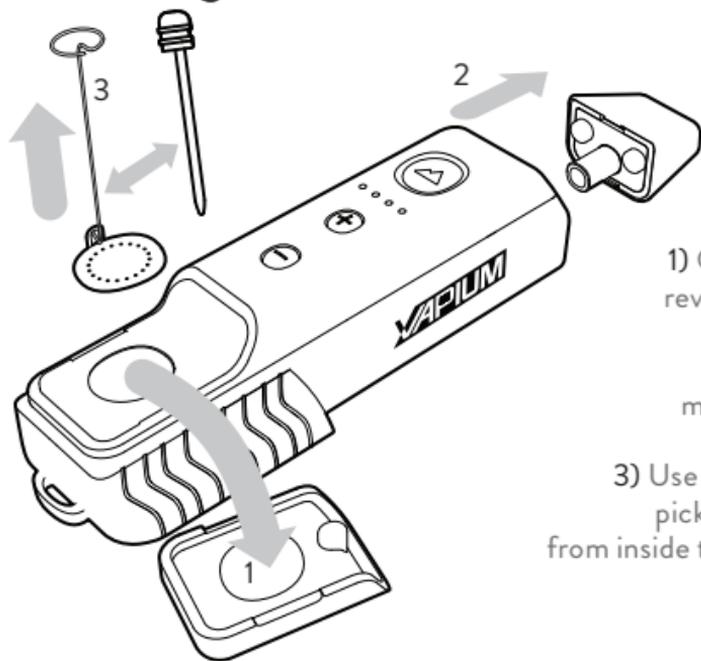


- 4 White LEDs... 75%+ Battery
- 3 White LEDs... 50% Battery
- 2 White LEDs... 15% Battery (recharge)
- 1 White LED... 5% Battery (recharge)

TIPS

- With at least one solid battery LED lit, SUMMIT+® can be used while recharging.
- Charging continues during use while plugged into USB.
- Press GO Button / adjust temperature anytime during recharging.

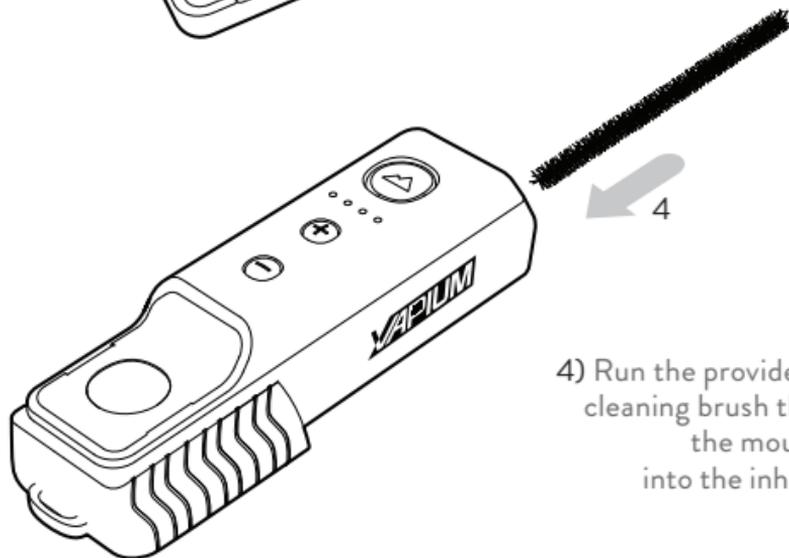
Cleaning



1) Open magnetic lid to reveal heating chamber.

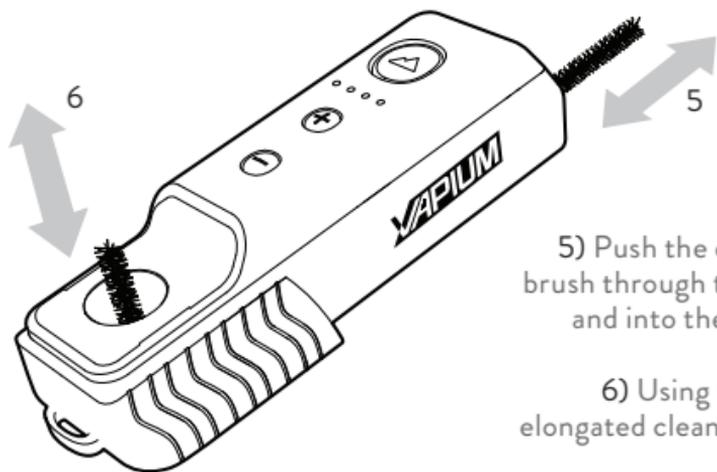
2) Remove the magnetic mouthpiece.

3) Use the pick/pack tool to pick out the filter screen from inside the heating chamber.



4) Run the provided elongated cleaning brush through from the mouthpiece end into the inhalation tube.

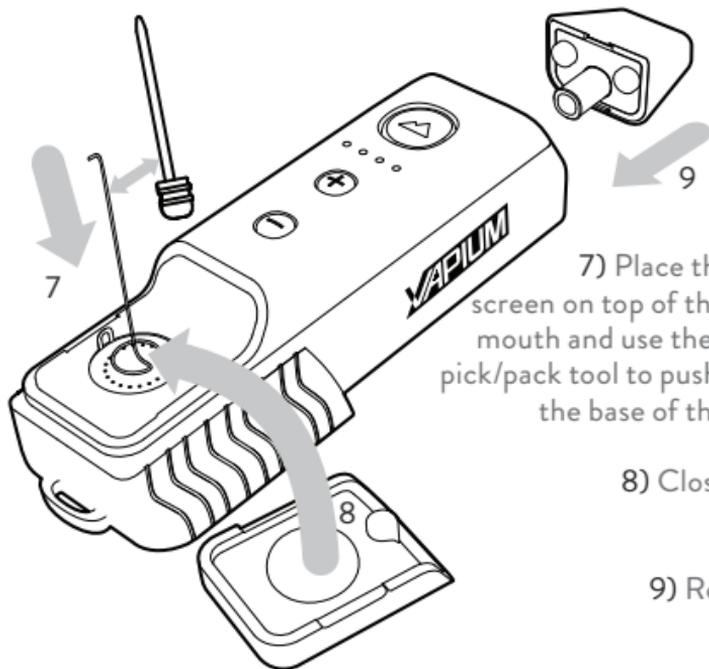
Cleaning



5) Push the elongated cleaning brush through the inhalation tube and into the heating chamber.

6) Using two hands, pull the elongated cleaning brush back and forth.

Post Cleaning Assembly



7) Place the heating chamber screen on top of the heating chamber mouth and use the packing end of the pick/pack tool to push it securely against the base of the heating chamber.

8) Close magnetic lid over heating chamber.

9) Replace mouthpiece.

Heating Chamber Lid Removal



If heating is in progress, removal of the heating chamber lid will pause warming of the heating chamber.



GO Button turns Blue.

Replace lid within 15 seconds to continue heating cycle.

TIPS

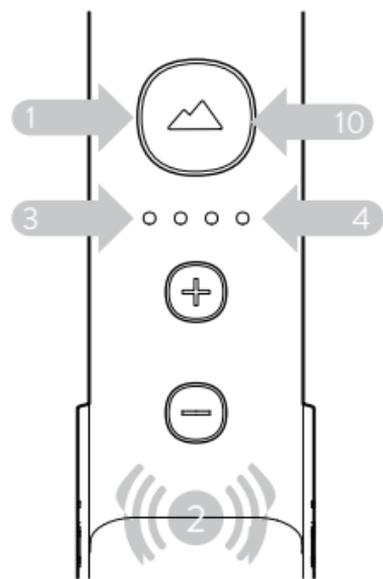
- With the Heating Chamber lid removed, pressing the GO Button will result in the GO Button LED to flash RED, replace the lid and follow the steps on page 4.

Low Power



GO Button will flash red.
Time to recharge!

Pairing to Smartphone



- 1) Press and Hold GO Button for 3 seconds until it lights up Blue.
- 2) Feel the Vibration Notification.
- 3) Battery Level is displayed for 1 second.
- 4) Blinking Temperature LED indicates warming of the heating chamber.
- 5) Enable Bluetooth® on Smartphone
- 6) Scan for VAPIUM SUMMIT
- 7) Launch VAPIUM smartphone APP
- 8) Select Settings in the APP
- 9) Select VAPIUM SUMMIT from the list of available devices
- 10) Flashing Blue GO Button indicates SUMMIT is paired to Smartphone

Un Pairing from Smartphone

- 1) Exit smartphone APP
- 2) Turn off Bluetooth®

TIPS

- Battery life is extended on the SUMMIT by not being paired to the smartphone

APP Operation - Brief Overview



Displays battery level



Connect SUMMIT+



Switch between Fahrenheit and Celcius temperature display

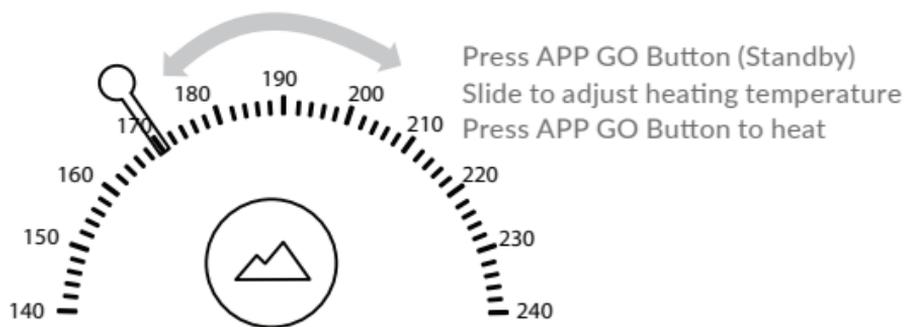


Temporarily boost heating chamber temperature by 10 °C / 50 °F

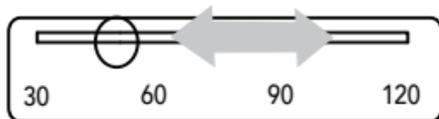


GO Button
BLUE/WHITE - Standby
BLUE - Heating
GREEN - At Temperature

Temperature Adjustment in APP



Session Time Adjustment in APP



WARRANTY

VAPIUM Ltd. believes strongly in the quality of its products. We guarantee our products to be free of malfunction due to defect in materials or workmanship for a period of two (2) years from the date of purchase. If such a defect is found, an exchange or repair to the device in question will be issued. We are not offering refunds on used products. All warranted items must have been purchased from our website (www.vapium.com), an authorized distributor or authorized retail location. In the event that servicing is required due to defect, please contact our support department for information on where to send your unit along with a copy of the sales receipt for warranty service and the unit serial number.

TERMS OF USE & DISCLAIMER

GENERAL DISCLAIMER

Vaporizers, such as those manufactured by VAPIUM®, (“Vapium Vaporizers”) are designed, manufactured, and sold as hot air extraction devices used and intended to be used in the field of aromatics. The lawful and proper use of any Vapium Vaporizer or accessory is a required condition of sale.

By purchasing any of these devices you are representing that you are 18 years of age or older and that you agree to follow the instructions contained herein and in any accompanying literature.

The improper use of these devices may void any applicable warranty. Any illegal use of this device could subject the user to severe fines, penalties, and/or imprisonment under federal law.

Vapium Vaporizers are only to be used by someone knowledgeable in the field of aromatics. Only legal, safe, known, identifiable, and commercially developed and marketed aromatic blends or compounds should be used in any device purchased from this website. Keep these devices and all aromatic products out of the reach of children and animals. Study this information, the product instructions, and all of the

accompanying literature before using a Vapium Vaporizer or any aromatic blend or compound. Likewise, always keep in mind that this device is extremely efficient in extracting the bioactive ingredients from any aromatic compound.

The information contained in this disclaimer and any other cautionary instructions, and all of the documents and literature included with any Vapium Vaporizer, was developed for informational purposes only. In no way is any of the information contained in these documents intended to be a medical or prescriptive guide or to be used for diagnosing or treating a health problem or disease. No aromatic should take the place of any prescribed medication. Neither the manufacturer nor the seller, or their respective affiliates, directors, officers, or shareholders, of any aromatic products on this Site shall be held responsible for the misuse of same or the misuse of any aromatic blend or compound. You, the purchaser and/or user of this device, are responsible for your own use of such products.

If pregnant, nursing or diagnosed with epilepsy, a heart condition, allergies or other medical condition, seek the advice and assistance of a physician or trained health professional before using any Vaporizer or aromatic blend or compound. If you believe or suspect that you have a medical problem, promptly contact your doctor or health care provider.

VAPORIZER PRODUCT DISCLAIMER

The statements and devices shown here and on our website have not been evaluated by the United States Food and Drug Administration (“FDA”) or by any other comparable agency or administration in any other jurisdiction. The SUMMIT+® is not a medical device and is not intended to diagnose, treat, mitigate, cure or prevent any ailment, disease or other conditions. The SUMMIT+® is not intended to administer medicinal or illegal products of any kind and is not intended for use with any substance that may affect the structure or any function of the body. If you have any health problems consult your doctor or pharmacist before using. The SUMMIT+® systems are not designed, nor intended for use with any material that is not lawful, allergenic, or poisonous or may cause harm. If you use a Vapium Vaporizer, you do so at your own risk. Inhalation is unadvisable and may potentially be harmful. Vaporizing does not necessarily eliminate any and all toxins found in vaporized substances so much care should be taken prior to use. Our products are not smoking cessation devices. The lawful and proper use of Vapium Vaporizers is a condition of sale. Any improper use of

use with any substance that may affect the structure or any function of the body. If you have any health problems consult your doctor or pharmacist before using. The SUMMIT+® systems are not designed, nor intended for use with any material that is not lawful, allergenic, or poisonous or may cause harm. If you use a Vapium Vaporizer, you do so at your own risk. Inhalation is unadvisable and may potentially be harmful. Vaporizing does not necessarily eliminate any and all toxins found in vaporized substances so much care should be taken prior to use. Our products are not smoking cessation devices. The lawful and proper use of Vapium Vaporizers is a condition of sale. Any improper use of the SUMMIT+® voids the warranty. Any illegal use of our devices could subject the user to severe fines, penalties and/or imprisonment under the law of your jurisdiction. No liquid sources of vapor can be used with the SUMMIT+®. Use of liquids is likely to cause damage to this device and may cause harm or risk of injury to the user. Liquid will boil in our vaporizers and may burn the user. All comments and testimonials presented, in any form, by customers are not and do not represent the opinions of the manufacturers. The SUMMIT+® is intended to be used solely with aromatic material. You must be 18 or older and respect all local laws to purchase a Vaporizer.

LIMITATION OF LIABILITY

In no event will Vapium Ltd. or any of their officers, directors, members or employees be liable to you for any lost profits, lost savings or incidental, indirect, special or consequential damages, arising out of your use or inability to use the product, service, website or the breach of this agreement, even if advised of the possibility of such damages. Some jurisdictions do not allow the limitation or exclusion of liability for incidental or consequential damages so the above limitation or exclusion may not apply to you, in which case the liability of Vapium Ltd. and all related parties shall be limited to the fullest extent of the law.

CONTACT US AND SUPPORT

If you have any questions regarding this Privacy Policy, our website Vapium.com, or your order please reach out to us using the Contact Us form, call us direct at 1-844-GO-VAPIUM or support@vapium.com.



MANUEL
D'INSTRUCTIONS

Product Overview



CONDITIONS EXTRÊMES

0°F to 176°F (-18°C to 80°C)

Fonctionne entre

CLASSÉ IP54

Résistant aux éclaboussures et à la poussière.



3300MAH

Puissante pile au lithium rechargeable

AJUSTEMENT DE TEMP.

8 réglages de température de 330°F to 440°F (160°C to 230°C)



CONTRÔLE PAR TÉLÉPHONE

un contrôle précis de la temp, la durée de la séance, et pour une poussée de temp.

ULTRA-DISCRET

Des vibrations vous avisent que l'appareil est prêt



OUTIL DE BRASSAGE

Utilisez-le afin de brasser, mélanger et remplir

USB-C

Permet l'utilisation durant la recharge



ERGONOMIQUE

Prise caoutchoutée facile

VOIE D'AIR CONTINUE

en acier inoxydable soudée au laser



GARANTIE DE 2 ANS

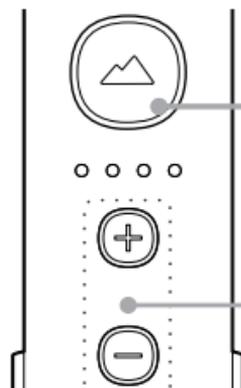
Garantie du fabricant

SERVICE À LA CLIENTÈLE

+1 844 GO VAPIUM



Bouton GO



Pesez et maintenez pendant 3 secondes: Mise en marche/arrêt

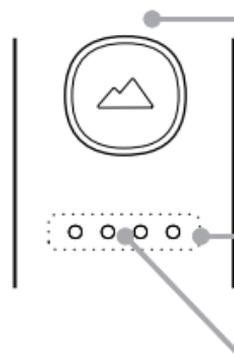
Touchez pour lancer le chauffage en mode « attente »

Temperature Buttons (+) (-)

BOUTON +: Augmentation de la température (pesez ou maintenez)

BOUTON - : Diminution de la température (pesez ou maintenez)

BOUTON GO DEL



NOIR: ARRÊT

BLEU (PLEINE): EN ATTENTE

BLUE (CLIGNOTEMENT):

SYNCHRONISÉ AVEC LE TÉLÉPHONE INTELLIGENT

VERT: ALLEZ-Y!

ROUGE: RECHARGEZ

AFFICHAGE DE DURÉE DE VIE DE LA PILE (DEL BLANCHE)

CLIGNOTEMENT: EN CHARGE

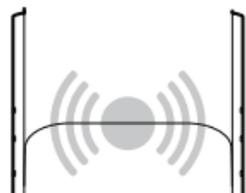
PLEINE: NIVEAU DE LA PILE

AFFICHAGE DE TEMPÉRATURE (DEL COLORÉE)

CLIGNOTEMENT:

CHAUFFAGE/AJUSTEMENT

AVERTISSEMENT PAR VIBRATION

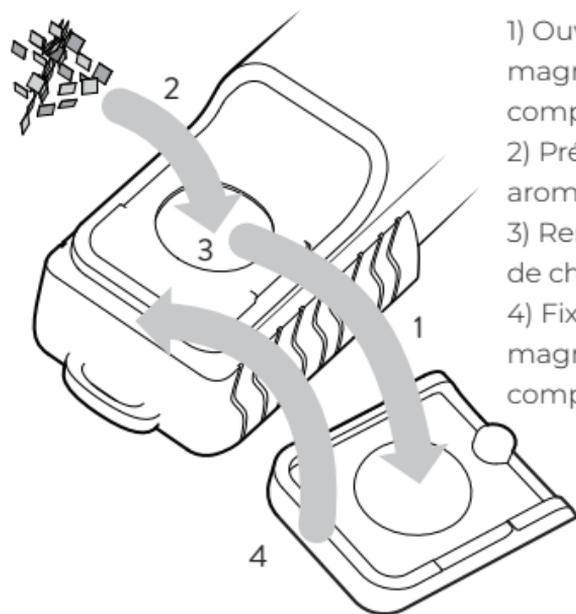


1 VIBRATION: EN MARCHÉ (ON) (PUIS EN ATTENTE)

2 VIBRATIONS: ARRÊT (OFF)

3 VIBRATIONS: ALLEZ-Y!

Remplissage de mélanges aromatiques



- 1) Ouvrez le couvercle magnétique afin de révéler le compartiment de chauffage.
- 2) Préparez les mélanges aromatiques finement moulus.
- 3) Remplissez le compartiment de chauffage au maximum.
- 4) Fixez le couvercle magnétique par-dessus le compartiment de chauffage.

Affichage de température...



...Et réglages de température correspondants:

○ ○ ○ ○

● ○ ○ ○

● ○ ○ ○

○ ● ○ ○

○ ● ○ ○

○ ○ ● ○

○ ○ ● ○

○ ○ ○ ●

○ ○ ○ ●

Temp 1 (BLEU, moitié) – 320°F / 160°C

Temp 2 (BLEU) – 338°F / 170°C

Temp 3 (JAUNE, moitié) – 356°F / 180°C

Temp 4 (JAUNE) – 374°F / 190°C

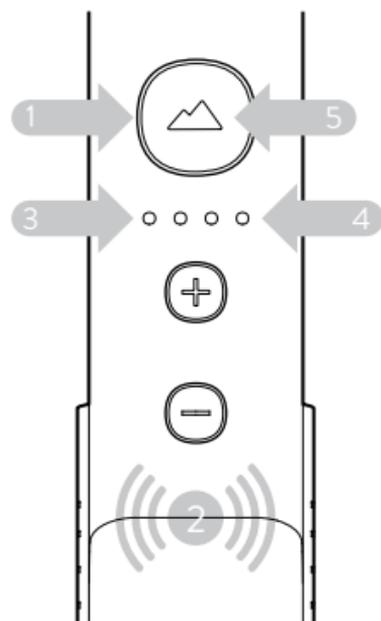
Temp 5 (ORANGE, moitié) – 392°F / 200°C

Temp 6 (ORANGE) – 410°F / 210°C

Temp 7 (ROUGE, moitié) – 428°F / 220°C

Temp 8 (ROUGE) – 446°F / 230°C

Mise en marche (depuis le mode attente)



- 1) Pesez et maintenez le bouton GO pendant trois secondes jusqu'à ce qu'une lumière bleue s'allume.
- 2) Attendez la vibration d'avertissement.
- 3) Le niveau de la pile est affiché pendant 1 seconde.
- 4) La lumière DEL de température qui clignote indique le chauffage du compartiment de chauffage.
- 5) Le bouton GO devient vert.
Allez-y!

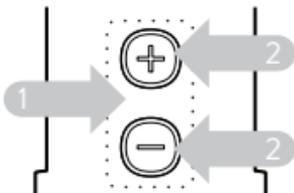
Mise en marche (depuis le mode

- 1) Pesez sur le bouton GO.
- 2) Suivez les étapes 2 à 5 tel qu'indiqué ci-dessus.

Conseils

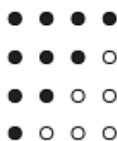
- Le compartiment de chauffage est prêt en aussi peu que 35 à 45 secondes.
- Sentez-vous libre d'ajuster la température du compartiment de chauffage vers le haut ou vers le bas avec les boutons +/-

Ajustement du temps de la séance



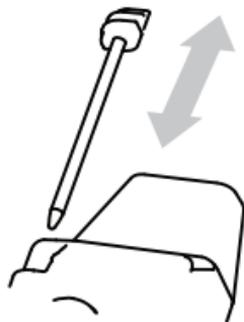
Assurez-vous que le bouton GO est vert ou bleu

- 1) Pesez et maintenez les boutons (+) et (-) simultanément.
- 2) Pesez individuellement les boutons (+) ou (-) afin d'augmenter ou de diminuer le temps de la séance (30, 60, 90, 120 secondes).
- 3) Des lumières DEL blanches indiquent le temps de la séance.



- • • • • 4 DEL blanches... 120 secondes
- • • ○ 3 DEL blanches... 90 secondes
- • ○ ○ 2 DEL blanches... 60 secondes
- ○ ○ ○ 1 DEL blanche... 30 secondes

Outil de remplissage inclus



3 meilleures raisons d'utiliser l'outil de remplissage

- 1) Afin de fixer et d'ôter l'écran du four
- 2) Afin de brasser le contenu à tout moment avant, pendant ou après la séance
- 3) Afin d'enlever facilement le contenu pour préparer le remplissage

Conseils

• Gardez toujours l'outil de remplissage propre avant de le remettre dans le boîtier.

• Utilisez une clé afin de vous aider à sortir l'outil de remplissage du boîtier s'il devenait coincé.

Économiseur d'énergie



Fermeture automatique

Une minuterie automatique fermera l'appareil après 30 minutes d'inactivité.

Fermeture manuelle

Pesez et maintenez le bouton GO pendant 3 secondes.

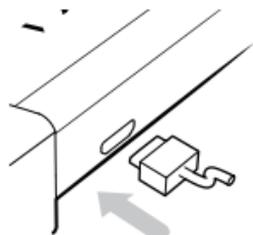
Conseils

- Durant le chauffage, pesez sur le bouton GO pendant 3 secondes pour arrêter le processus de chauffage et retourner dans le mode « En charge ».

Performance

- Pesez sur le bouton GO / ajustez la température à n'importe quel moment!
 - Le bouton GO demeure vert pendant 90 secondes avant de retourner au mode « attente ».
 - Ouvrez le compartiment de chauffage et brassez le mélange aromatique à n'importe quel moment dans les 15 premières secondes et le cycle de chauffage reprendra son cours.
 - Le bouton GO deviendra bleu lorsque le couvercle est enlevé.
 - L'indicateur DEL de température devient plein lorsque le couvercle est enlevé durant le chauffage.
- Lorsque vous procédez à l'ajustement d'une nouvelle température et que le bouton GO est vert, cela prendra approximativement 10 secondes avant d'atteindre la nouvelle température.

Recharge



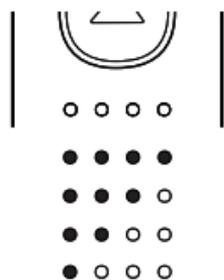
Branchez le connecteur micro USB dans la base, et l'autre bout dans un port USB.

Lorsque la pile est en charge, les indicateurs DEL blancs clignoteront.

Une lumière DEL blanche pleine indique le niveau actuel de la charge.

Durée approximative pour une charge complète: 3 heures.

Indicateur DEL de pile

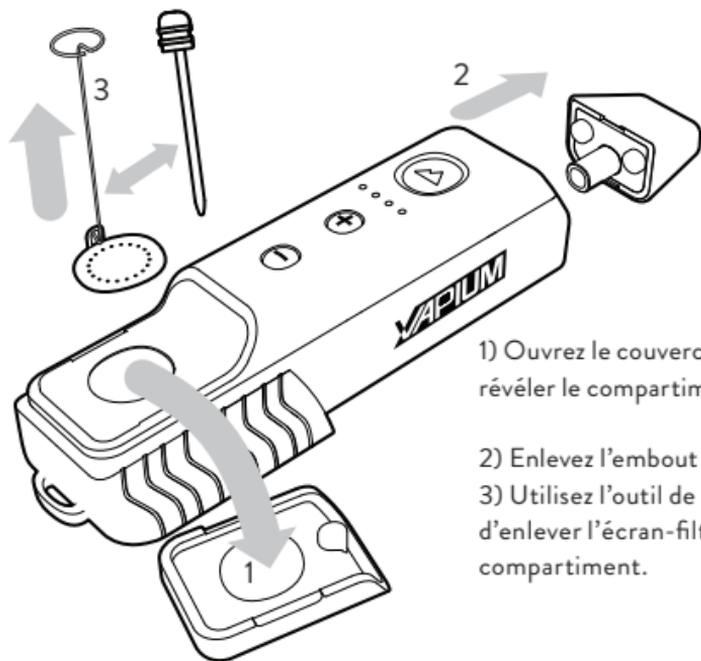


- 4 lumières DEL blanches... 75%+ pile restante
- 3 lumières DEL blanches... 50% pile restante
- 2 lumières DEL blanches... 15% pile restante (rechargez)
- 1 lumière DEL blanche... 5% pile restante (rechargez)

Conseils

- Avec au moins une lumière DEL de pile pleine, le SUMMIT+® peut être utilisé pendant la recharge.
- La recharge continue durant l'utilisation, lorsque branché dans un port USB.
- Pesez sur le bouton GO / ajustez la température à n'importe quel moment durant la recharge.

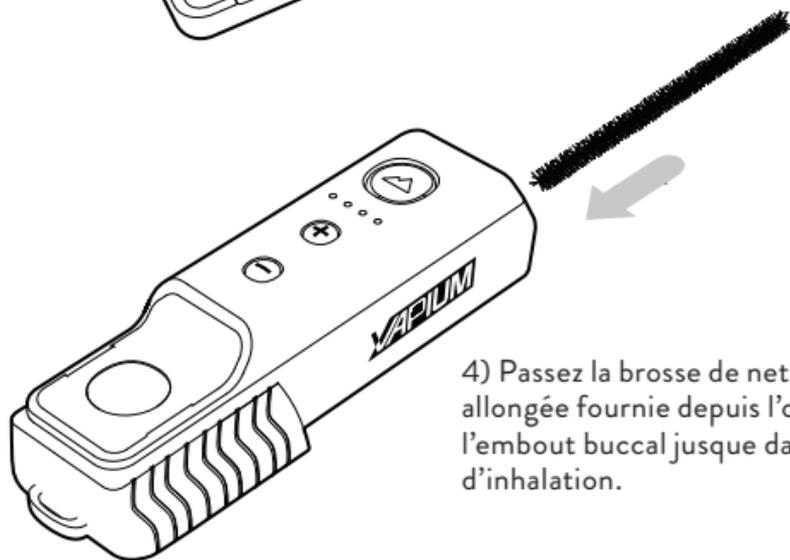
Nettoyage



1) Ouvrez le couvercle magnétique afin de révéler le compartiment de chauffage.

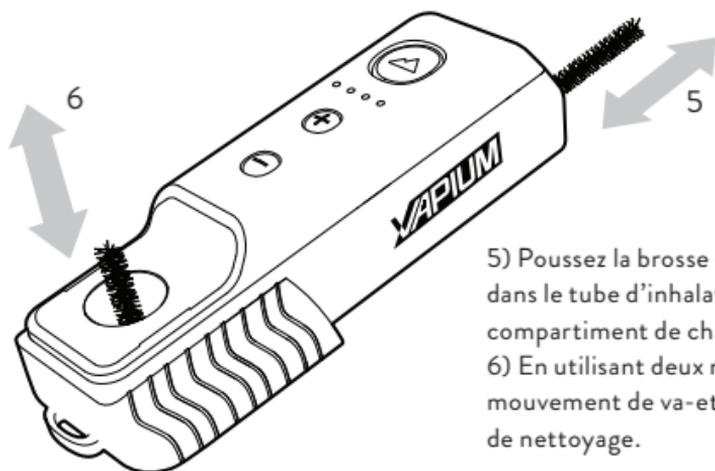
2) Enlevez l'embout buccal magnétique.

3) Utilisez l'outil de remplissage afin d'enlever l'écran-filtre de l'intérieur du compartiment.



4) Passez la brosse de nettoyage allongée fournie depuis l'ouverture de l'embout buccal jusque dans le tube d'inhalation.

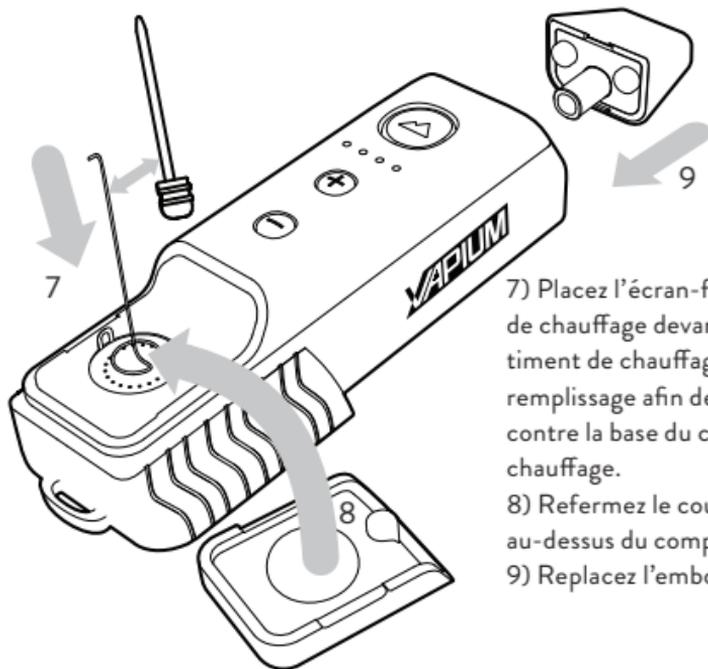
Nettoyage



5) Poussez la brosse de nettoyage allongée dans le tube d'inhalation, et jusque dans le compartiment de chauffage.

6) En utilisant deux mains, faites un mouvement de va-et-vient avec la brosse de nettoyage.

Assemblage suite au nettoyage



7) Placez l'écran-filtre du compartiment de chauffage devant l'entrée du compartiment de chauffage et utilisez l'outil de remplissage afin de le presser fermement contre la base du compartiment de chauffage.

8) Refermez le couvercle magnétique au-dessus du compartiment de chauffage
9) Remplacez l'embout buccal .

Enlever le couvercle magnétique



Si le chauffage est en cours, enlever le couvercle du compartiment de chauffage mettra celui-ci en pause.



Le bouton GO devient bleu.

Remplacez le couvercle d'ici 15 secondes afin de continuer de cycle de chauffage.

Conseils

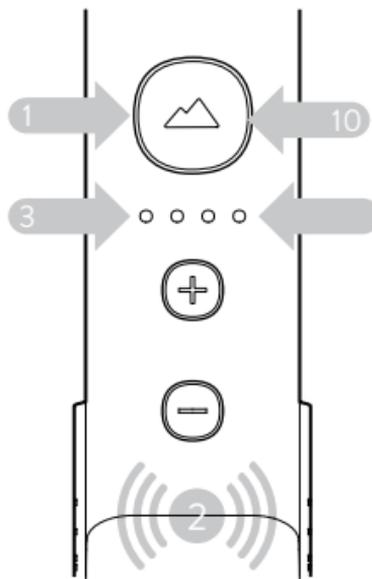
- Lorsque le couvercle du compartiment de chauffage est enlevé, le fait de peser sur le bouton GO amènera celui-ci à clignoter en rouge. Remplacez le couvercle et suivez les instructions de la page 4.

Pile faible



Le bouton GO clignotera en rouge.
Temps de recharger!

Synchronisation avec un téléphone



- 1) Pesez et maintenez le bouton GO pendant trois secondes jusqu'à ce qu'il devienne bleu.
- 2) Attendez la vibration d'avertissement.
- 3) Le niveau de la pile est affiché pendant 1 seconde.
- 4) La lumière DEL de température qui clignote indique le chauffage du compartiment de chauffage.
- 5) Activez le Bluetooth® sur votre téléphone intelligent.
- 6) Cherchez le VAPIUM SUMMIT.
- 7) Lancez l'application pour téléphones intelligents VAPIUM.
- 8) Choisissez les réglages dans l'application.
- 9) Choisissez VAPIUM SUMMIT dans la liste des appareils disponibles.
- 10) Le bouton GO qui clignote en bleu indique que le SUMMIT est synchronisé avec le téléphone intelligent.

Désynchronisation du téléphone

- 1) Fermez l'application du téléphone intelligent.
- 2) Désactiver Bluetooth®

Conseils

- La durée de vie de la pile est plus longue si le SUMMIT n'est pas synchronisé à un téléphone intelligent

Fonctionnement de l'application - aperçu



Affichage du niveau de la pile



Connectez le SUMMIT+



Changez l'affichage de la temp en degrés Celsius ou Fahrenheit

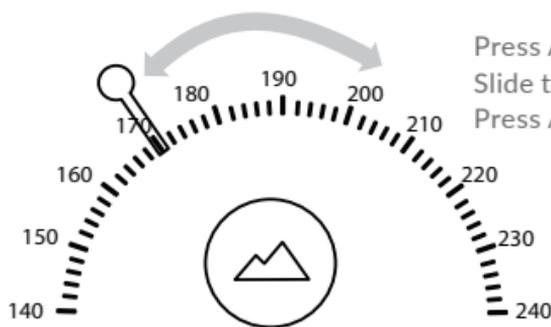


Augmentez temporairement la température du compartiment de chauffage de 10 °C / 50° F



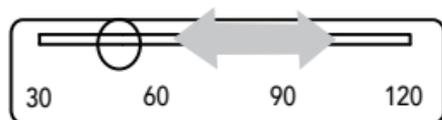
Bouton GO
BLEU/BLANC - En attente
BLEU - Chauffage
VERT - Température atteinte

Temperature Adjustment in APP



Press APP GO Button (Standby)
Slide to adjust heating temperature
Press APP GO Button to heat

Ajustement de la température dans l'application



WARRANTY

VAPIUM Ltd. croit fortement en la qualité de ses produits. Nous garantissons que nos produits sont libres de mauvais fonctionnements dus à un défaut dans les matériaux ou dans la fabrication pour une période de deux (2) ans à compter de la date d'achat. Si un tel défaut se produit, l'appareil sera échangé ou réparé. Nous n'offrons pas de remboursement pour les produits utilisés. Tous les appareils garantis doivent avoir été achetés sur notre site web (www.vapium.com), auprès d'un distributeur autorisé ou dans un magasin au détail autorisé. Dans le cas où une réparation serait nécessaire en raison d'un produit défectueux, prière de communiquer avec notre département de service à la clientèle pour de l'information sur l'endroit où envoyer votre appareil avec une copie de votre reçu de vente pour fins de garantie, ainsi que le numéro de série de l'appareil.

TERMES DE L'UTILISATION ET AVERTISSEMENT

MISE EN GARDE GÉNÉRALE

Les vaporisateurs comme ceux produits par VAPIUM®, ("Vapium Vaporizers") sont conçus, produits et vendus comme des appareils d'extraction d'air chaud pour l'utilisation dans le domaine des aromates. L'utilisation légale et appropriée de tout vaporisateur ou accessoire Vapium est une condition de vente obligatoire.

En achetant l'un de ces appareils, vous affirmez que vous êtes âgé de 18 ans ou plus et que vous acceptez de suivre les instructions contenues dans la présente et dans toute documentation d'accompagnement. L'utilisation incorrecte de ces appareils peut annuler toute garantie.

Toute utilisation illégale de cet appareil pourrait entraîner pour l'utilisateur des amendes sévères, des pénalités et/ou l'emprisonnement, en vertu de la loi fédérale.

Les vaporisateurs Vapium ne doivent être utilisés que par des personnes bien informées au sujet des aromates. Ne devraient être utilisés dans tous appareils achetés sur notre site web que les mélanges ou composés aromatiques légaux, sûrs, connus, identifiables et commercialement développés et distribués. Gardez ces appareils et tous produits aromatiques hors de la portée des enfants et des animaux. Étudiez cette information, les instructions du produit et toute la documentation d'accompagnement avant d'utiliser un vaporisateur Vapium ou tout mélange ou composé aromatique. De même, gardez toujours à l'esprit que cet appareil est extrêmement efficace dans l'extraction des ingrédients bioactifs de tout composé aromatique.

Les informations contenues dans cet avertissement et toutes autres instructions de mise en garde, et tous les documents inclus avec tous vaporisateurs Vapium, ont été développés pour fins d'information seulement. Aucune des informations contenues dans ces documents ne sont destinées à servir d'avis médical ou de guide de prescription, ou doivent être utilisées pour diagnostiquer ou traiter un problème de santé ou maladie. Aucun aromate ne devrait remplacer des médicaments prescrits. Ni le fabricant, le vendeur, leurs filiales respectives, les administrateurs, les dirigeants ou les actionnaires de tous les produits Vapium ne seront tenus responsables de la mauvaise utilisation de ceux-ci ou de la mauvaise utilisation de tout mélange ou composé aromatique. Vous, l'acheteur et/ou l'utilisateur de cet appareil, êtes responsable de votre propre utilisation de ces produits.

VAPORIZER PRODUCT DISCLAIMER

Si vous êtes enceinte, si vous allaitez, ou si vous souffrez d'épilepsie, d'une maladie cardiaque, d'allergies ou d'une autre condition médicale, demandez l'avis d'un médecin ou d'un professionnel de la santé qualifié avant d'utiliser un vaporisateur, un mélange aromatique ou un composé. Si vous croyez ou soupçonnez que vous avez un problème médical, contactez rapidement votre médecin ou fournisseur de soins de santé. SUMMIT+®.

Les déclarations et appareils présentés ici et sur notre site web n'ont pas été évalués par la Food and Drug Administration des États-Unis(FDA) ou par toute autre agence ou administration comparable en toute autre juridiction. Le SUMMIT+® n'est pas un appareil médical et n'est pas destiné à diagnostiquer, traiter, atténuer, guérir ou prévenir toute affection, maladie ou toutes autres conditions. Le SUMMIT+® n'est pas destiné à administrer des produits médicinaux ou illégaux de toute nature et n'est pas destiné à être utilisé avec toute substance pouvant affecter la structure ou toute fonction du corps. Si vous avez des problèmes de santé, consultez votre médecin ou pharmacien avant l'utilisation. Le système SUMMIT+® n'est pas conçu ni destiné à être utilisé avec tous matériaux illicites, allergènes ou toxiques ou pouvant causer des dommages.

Si vous utilisez un vaporisateur Vapium, vous le faites à vos propres risques et périls. L'inhalation est déconseillée et peut potentiellement être dangereuse. Vaporiser n'élimine pas nécessairement toutes les toxines trouvées dans les substances vaporisées, et des précautions doivent donc être prises avant l'utilisation. Nos produits ne sont pas des dispositifs pour le sevrage du tabac.

L'utilisation légale et appropriée des vaporisateurs Vapium est une condition de vente. Toute utilisation incorrecte du SUMMIT+® annule la garantie. Toute utilisation illégale de nos appareils pourrait entraîner pour l'utilisateur de sévères amendes, des pénalités et/ou l'emprisonnement en vertu de la loi de votre juridiction. Aucune source liquide de vapeur ne devrait être utilisée avec le SUMMIT+®. L'utilisation de liquides est susceptible d'endommager cet appareil et de causer des dommages ou blessures à l'utilisateur. Les liquides vont bouillir dans nos vaporisateurs et pourraient brûler l'utilisateur. Tous commentaires et témoignages présentés, sous quelque forme que ce soit, par les clients ne proviennent pas, et ne représentent pas, les opinions des fabricants.

Le SUMMIT+® a été conçu uniquement pour l'utilisation avec des matériaux aromatiques. Vous devez être âgé de 18 ans ou plus et respecter toutes les lois locales pour acheter un vaporisateur.

LIMITATION OF LIABILITY

En aucun cas VAPIUM INC. ou leurs dirigeants, administrateurs, membres ou employés ne sont responsables envers vous pour toute perte de gains, d'économies, ou pour tous dommages accidentels, indirects, spéciaux ou importants, découlant de votre utilisation ou de votre incapacité à utiliser le produit, le service, le site web ou la violation de cet accord, même si informé de la possibilité de tels dommages. Certaines juridictions n'autorisent pas la limitation ou l'exclusion de responsabilité pour les dommages accidentels ou importants, dans quel cas la limitation ou l'exclusion ci-dessus pourrait ne pas s'appliquer à vous. Dans ce cas, la responsabilité de Vapium Inc. et de toutes les parties liées sera limitée à l'entière mesure de la loi.

CONTACTEZ-NOUS / SOUTIEN

Si vous avez des questions concernant cette Politique de confidentialité, notre site web Vapium.com, ou votre commande, prière de communiquer avec nous en utilisant le formulaire Écrivez-nous, en nous appelant directement au 1.844.GO.VAPIUM ou en envoyant un courriel au support@vapium.com

