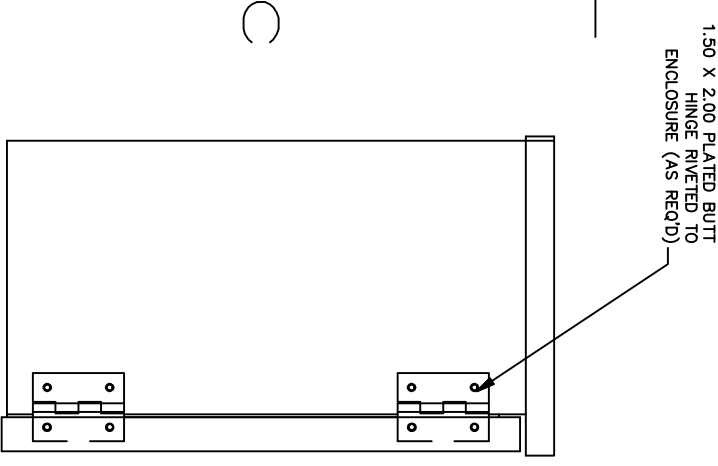
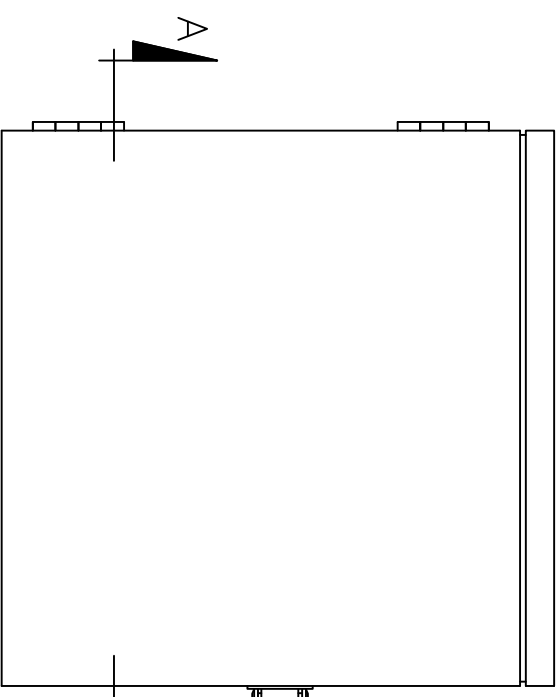


1 2 3 4

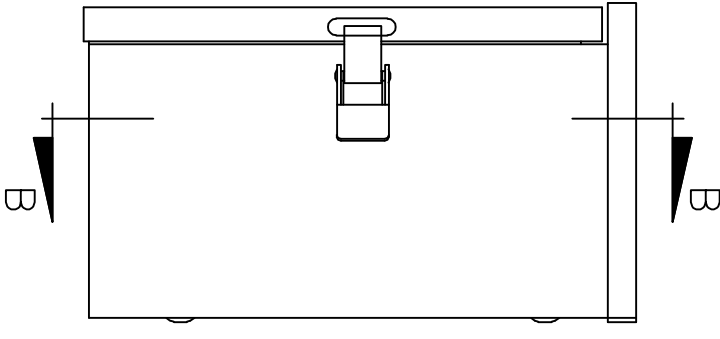
REVISIONS			
REV	ERO/ECN	DESCRIPTION (Δ INDICATES CHANGE)	BY DATE
		RELEASED	



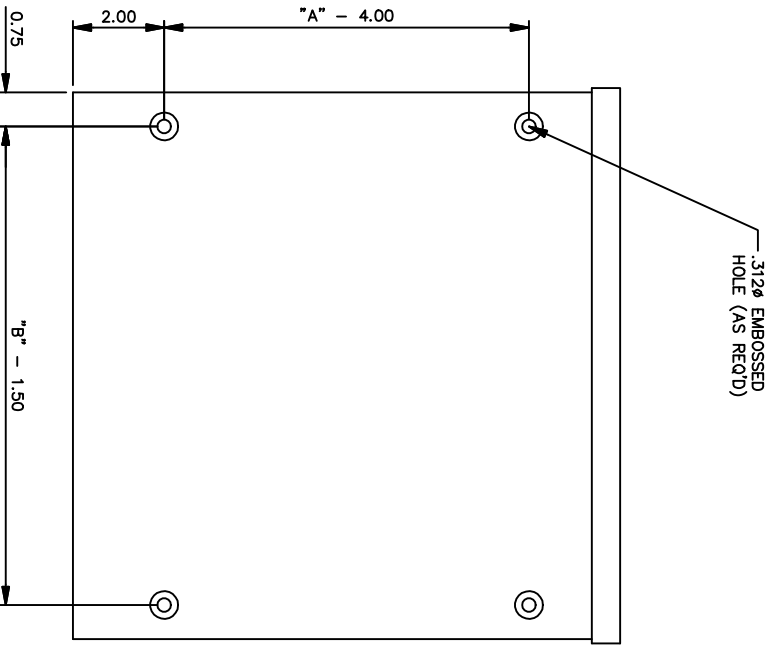
LEFT SIDE



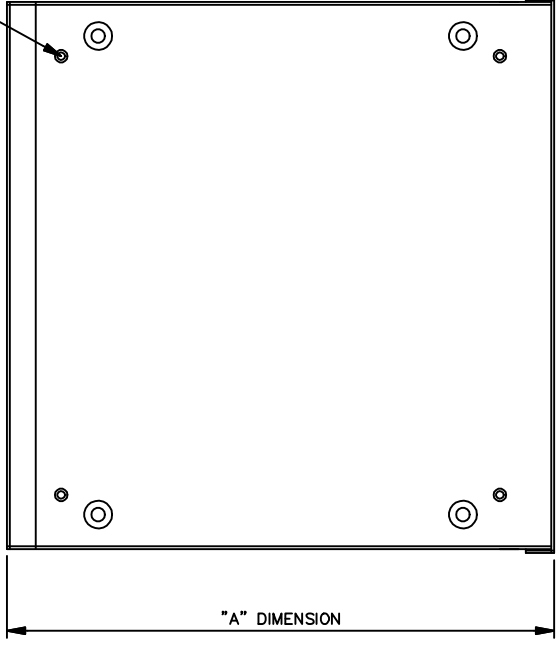
FRONT VIEW



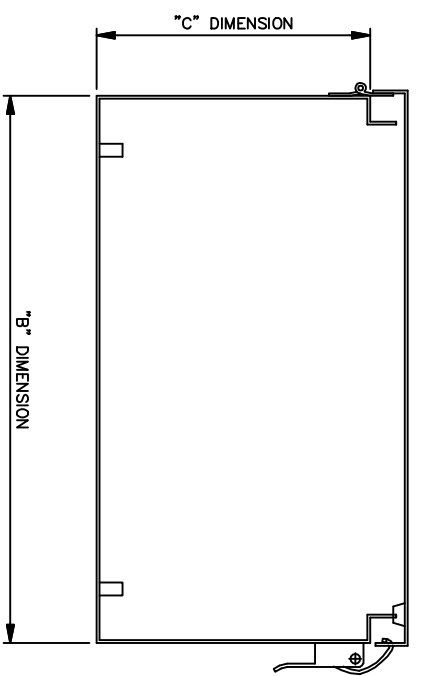
RIGHT SIDE



REAR VIEW



SECTION B-B



SECTION A-A

NOTES:  
 1. MATERIAL: UL LISTED CODE GAUGE GALVANIZED STEEL.  
 2. FINISH: ANSI-61 GRAY POLYESTER POWDER.

THIRD ANGLE PROJECTION

ITEM	QUAN.	PART NUMBER	DESCRIPTION

**AUSTIN ELECTRICAL ENCLOSURES**  
 YADKINVILLE, NORTH CAROLINA

THESE DRAWINGS AND SPECIFICATIONS ARE THE PROPERTY OF THE AUSTIN COMPANY AND SHALL NOT BE REPRODUCED, COPIED OR USED IN ANY MANNER WITHOUT PRIOR WRITTEN CONSENT OF THE AUSTIN COMPANY.

UNLESS OTHERWISE SPECIFIED:

- REMOVE ALL BURRS AND SHARP CORNERS
- DO NOT SCALE DRAWING
- DIMENSIONS ARE IN INCHES
- TOLERANCES: DECIMAL .XX ± .06  
 .XXX ± .03  
 .XXXX ± .015
- FRACTIONAL ANGLES ± 1°
- INDICATES CROSS REFERENCE TO A REVISION
- INDICATES CROSS REFERENCE TO A NOTE
- INDICATES SURFACE FINISH MICRO INCHES

APPROVALS	DATE	TITLE
DRAWN		ENCLOSURE, GALVANIZED STEEL
CHECKED		
ENGR		
SALES		

CUSTOMER	JOB	DRAWING NO.
		NEW WS SPEC SHEET

SCALE	CAD FILE NAME	SHEET
		1 OF 1