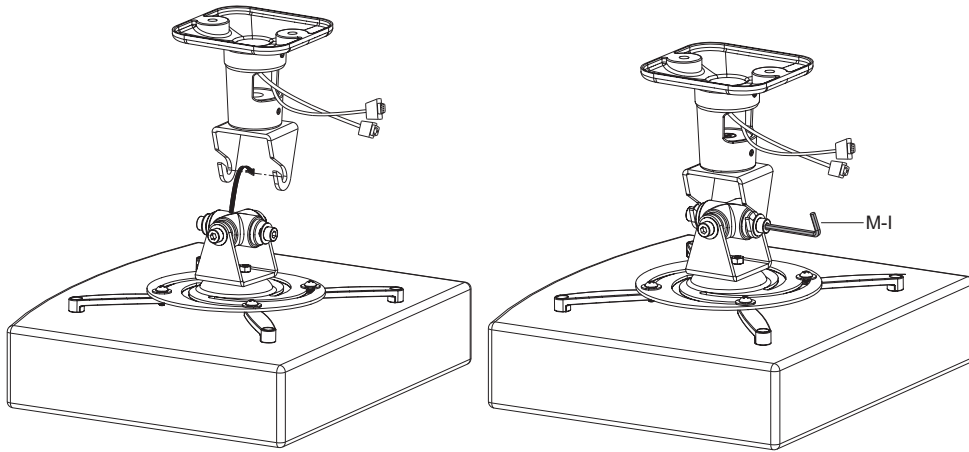


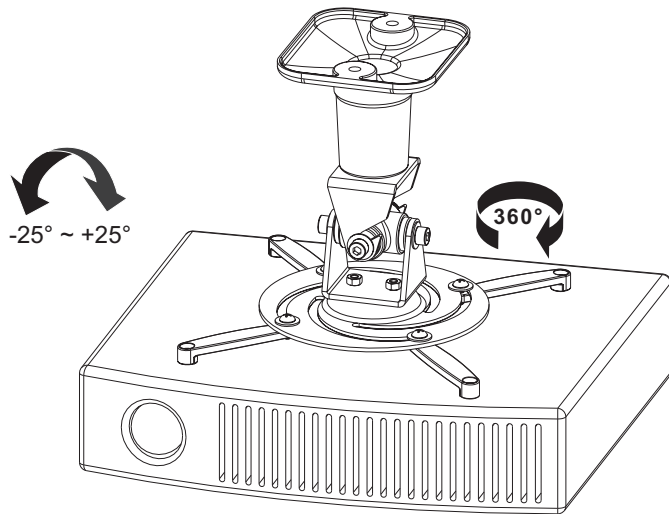


### 5. Hanging the Projector onto the Ceiling Mount



**Important:** Make sure the projector is correctly hooked and the screws are locked safely before releasing the projector.

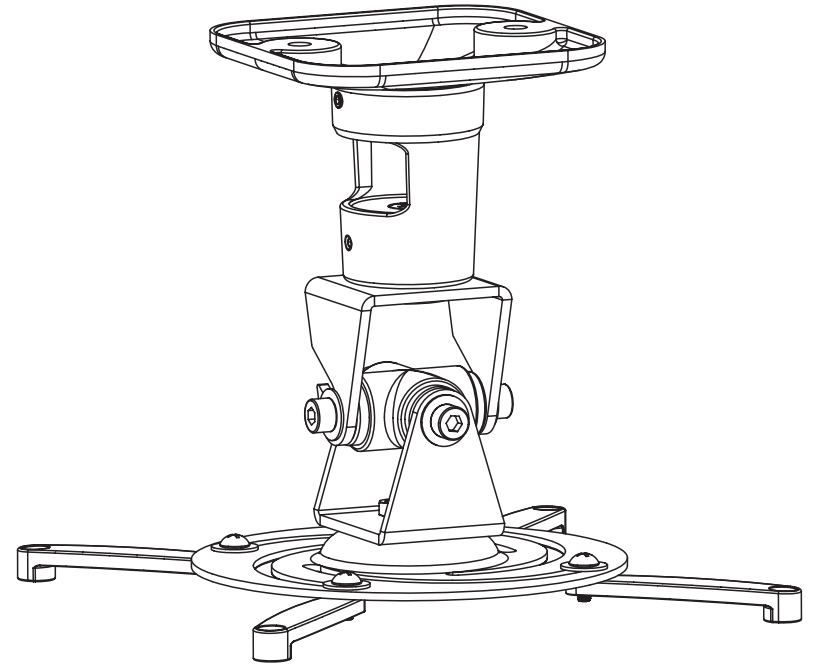
### 6. Adjustment



Adjust to the desired position or tilt.

- Maintenance**
- Check that the bracket is secure and safe to use at regular intervals(at least every three months).
  - Please contact your dealer if you have any questions.

# Projector Ceiling Mount



## EPB-1



**CAUTION: DO NOT EXCEED MAXIMUM LISTED WEIGHT CAPACITY. SERIOUS INJURY OR PROPERTY DAMAGE MAY OCCUR!**

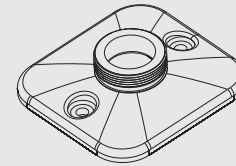
**NOTE:** Read the entire instruction manual before you start installation and assembly.

## WARNING

- Do not begin the installation until you have read and understood all the instructions and warnings contained in this installation sheet. If you have any questions regarding any of the instructions or warnings, please contact your local distributor.
- This mounting bracket was designed to be installed and utilised **ONLY** as specified in this manual. Improper installation of this product may cause damage or serious injury.
- This product should only be installed by someone with good mechanical ability who has basic building experience and fully understands this manual.
- Make sure that the supporting surface will safely support the combined weight of the equipment and all attached hardware and components.
- If mounting to wood joist ceiling, make sure that mounting screws are anchored into the center of the joist. The use of a stud finder is highly recommended.
- Always use an assistant or mechanical lifting equipment to safely lift and position the equipment.
- Tighten screws firmly, but do not over tighten. Over tightening can cause damage to the items, This greatly reduces their holding power.
- This product is intended for indoor use only. Using this product outdoors could lead to product failure and personal injury.

## Component Checklist

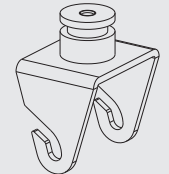
**IMPORTANT:** Ensure that you have received all parts according to the component checklist prior to installing. If any parts are missing or faulty, telephone your local distributor for a replacement.



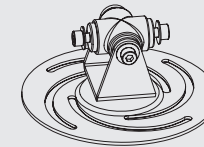
ceiling plate (x1)  
A



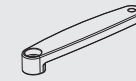
projector coupler (x1)  
B



projector pothook (x1)  
C



projector plate (x1)  
D

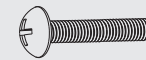


mounting leg (x4)  
E

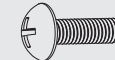
### Package M



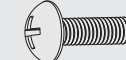
M4x16 (x4)  
M-A



M4x40 (x4)  
M-B



M5x16 (x4)  
M-C



M6x16 (x4)  
M-D



M6x40 (x4)  
M-E



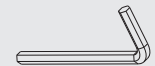
M8x16 (x1)  
M-F



D5 washer (x4)  
M-G

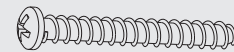


3mm Allen key (x1)  
M-H

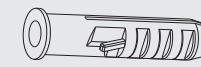


6mm Allen key (x1)  
M-I

### Package W



ST4.8x45 (x2)  
W-A

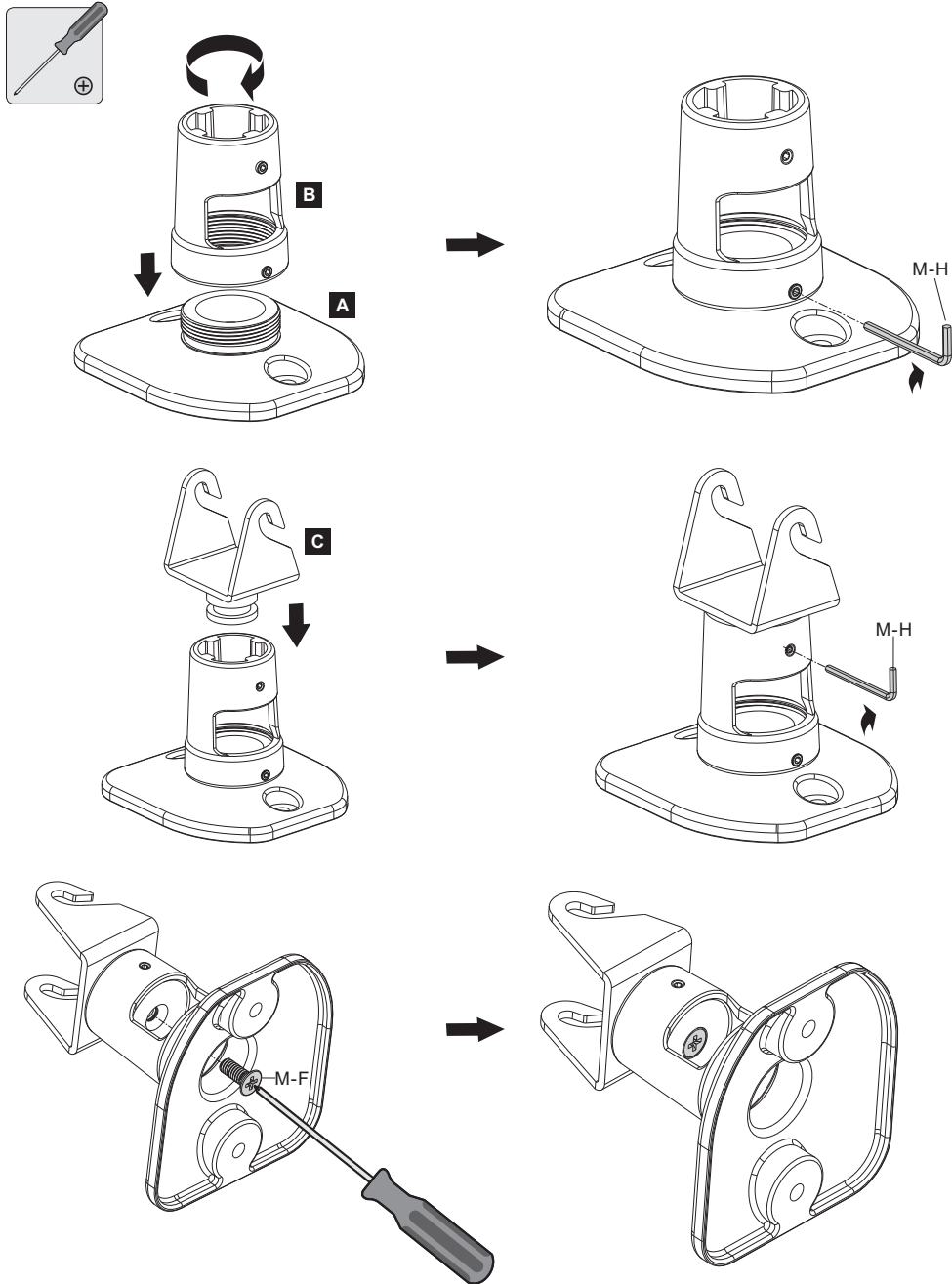


concrete anchor (x2)  
W-B

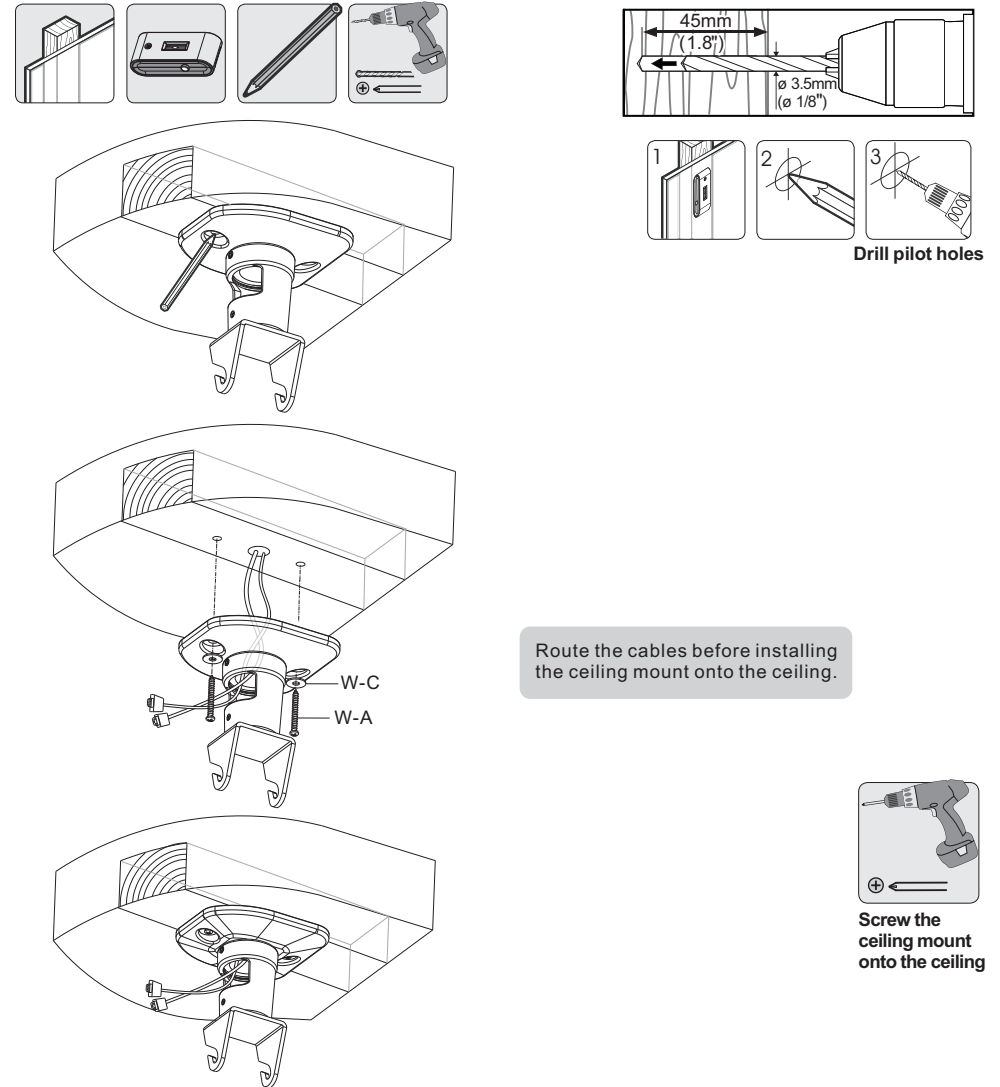


D6 washer (x2)  
W-C

## 1. Assembling the Ceiling Mount



## 2a. For Wood Joist Ceiling Mounting

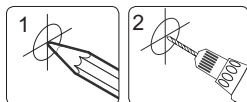
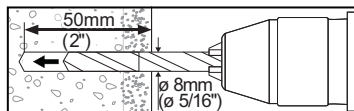


Route the cables before installing the ceiling mount onto the ceiling.

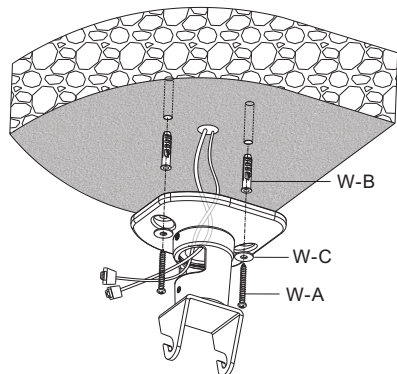
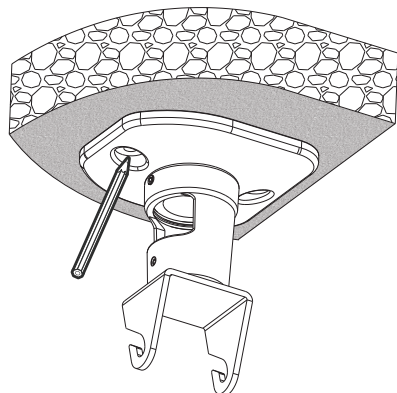
### **WARNING**

- Make sure that mounting screws are anchored into the center of the wood joist. Use of a stud finder is highly recommended.
- Installers are responsible to provide hardware for other types of mounting situations.
- Installer must verify that the supporting surface will safely support the combined load of the equipment and all attached hardware and components.

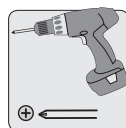
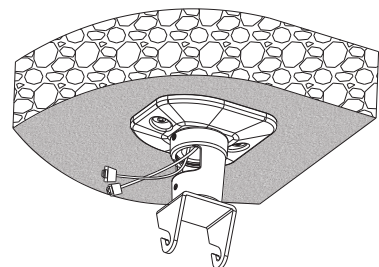
## 2b. For Solid Brick and Concrete Mounting



Drill pilot holes



Route the cables before installing the ceiling mount onto the ceiling.

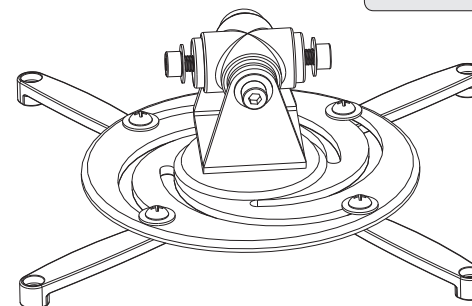
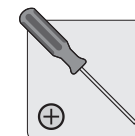
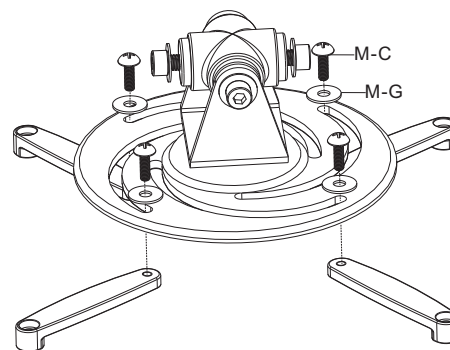


Screw the ceiling mount onto the ceiling

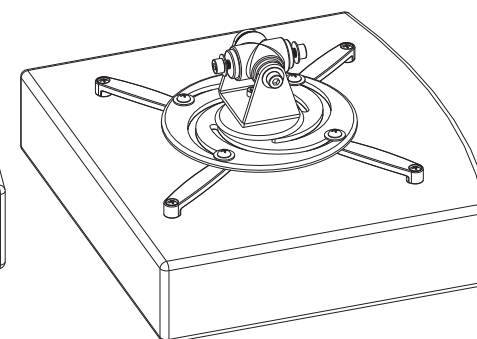
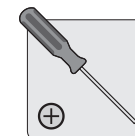
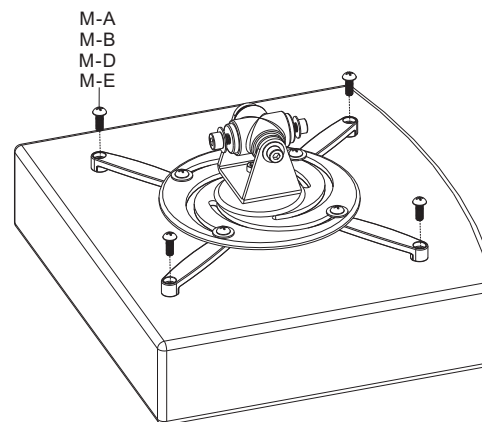
### WARNING

Installer must verify that the supporting surface will safely support the combined load of the equipment and all attached hardware and components.

## 3. Attaching the Mounting Legs to the Projector Plate



## 4. Attaching the Projector Plate to the Projector



- Locate the projector's mounting points.
- Position an appropriate number of mounting legs on the projector.
- Note:** If your projector model has three mounting holes only, please remove the fourth leg using the screwdriver.
- Important:** If the projector does not have at least three mounting holes, do not use this adapter bracket.

**DO NOT OVER TIGHTEN SCREWS!**