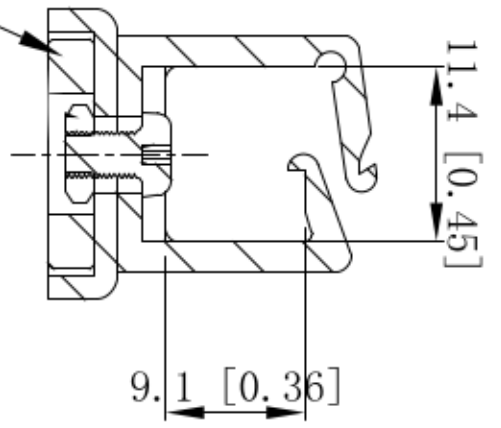
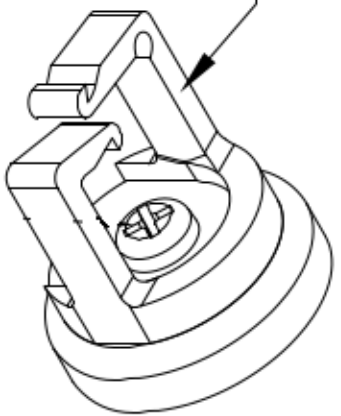


Material:45M

CUTAWAY VIEW A-A



Material:POM



NOTES  
1. All dimensions in millimeters and [inches]:

| Item Number | Colour |
|-------------|--------|
| WMCH050BK   | Black  |
| WMCH050WH   | White  |

|            |                    |     |
|------------|--------------------|-----|
| SIZE<br>A4 | DWG NO.<br>WMCH050 | REV |
|------------|--------------------|-----|