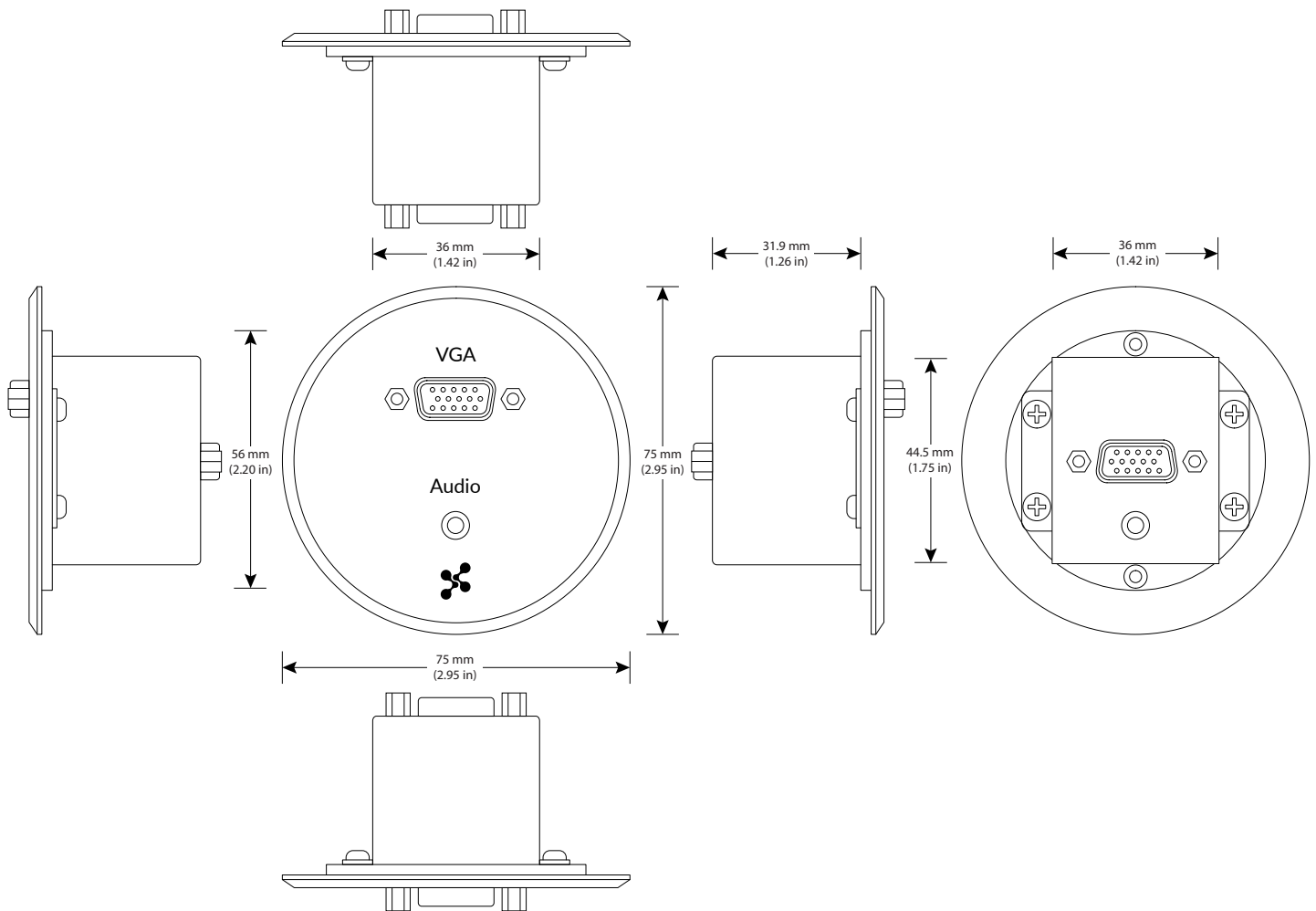


Technical Specifications

TL-TI-VGA
VGA Table Insert

General Specifications

Surface Connection	One (1) VGA receptacle
Under Table Connection	One (1) VGA receptacle
Supported Resolutions	800x600 to 1920x1200 with refresh rates up to 60 Hz
Bridging Connectivity	Passive
Maximum Cable Length (surface device to under table device)	10m (32.8 ft)
Surface Dimensions	75mm (2.95 in) diameter; 2.8mm (0.11 in) tall
Hole Insert Dimensions	56mm (2.20 in) diameter; 34.5mm (1.36 in) deep
Warranty	3 years