



Installation Guide

TL-SMG-4C

4-Button RS232 Controller



Introduction

The TechLogix TL-SMG-4C is the next evolution of the TL-SMG series products. In addition to display power on and power off capabilities, the TL-SMG-4C adds discrete volume up and volume down buttons; holding down the two volume buttons will send a mute command to the display.

While initially designed specifically for the TL-SM3C-HD and TL-SM3C-HDV Share-Me™ switchers, the RS232 connection plus 12 VDC power input via the PSE-1004 allows the TL-SMG-4C to be used as a standalone display controller.

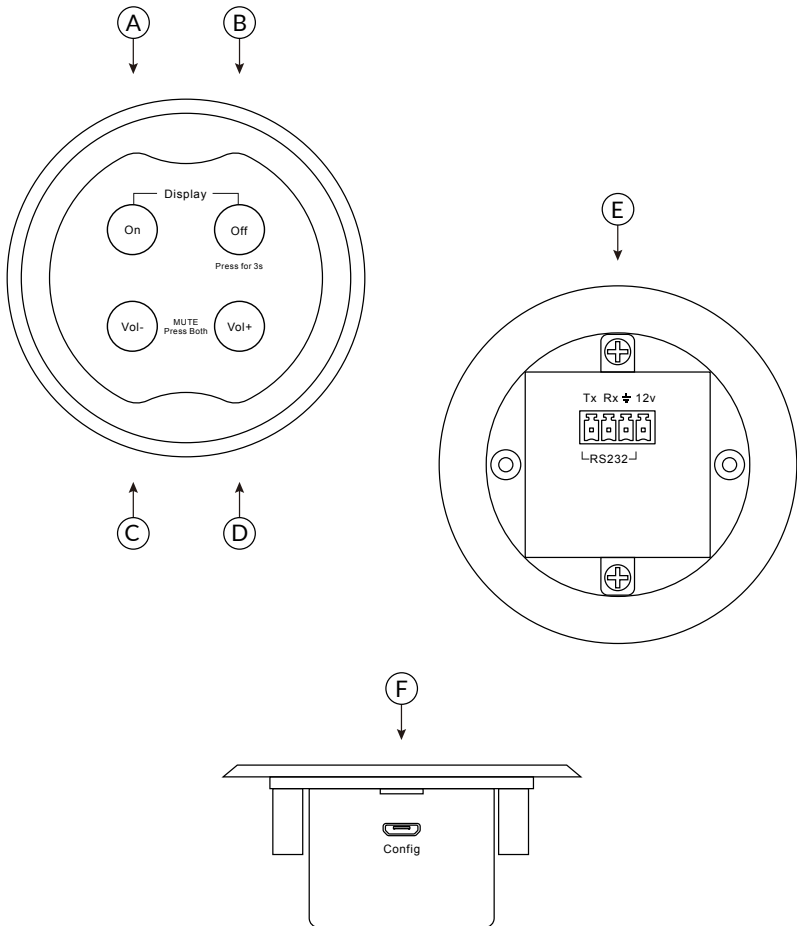
Features at a Glance

- Same install footprint as other TechLogix table grommet products
- New Snagless™ mounting system
- Plug-and-Play control for TL-SM3C-HD and TL-SM3C-HDV
- Display power and volume control
- Can be used as standalone controller

Package Contents

- TM-SMG-4C
- Snagless™ mounting bracket
- 6-foot long TL-SM3C control cable

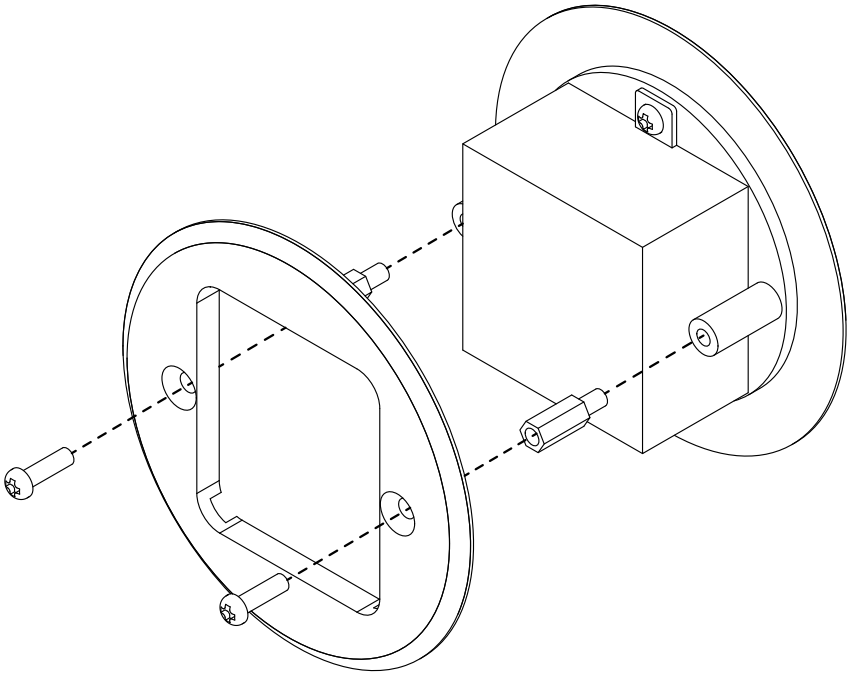
I/O Layout



| | |
|---|-----------------------------|
| A | Display On |
| B | Display Off |
| C | Volume Down |
| D | Volume Up |
| E | RS232 and 12 VDC Connection |
| F | Configuration Port |

Surface Installation

1. Mount the TL-SMG-4C in pre-cut holes sized from 57mm through 70mm.
2. Connect the mounting plate and any necessary spacer extensions per the drawing below.



TL-SM3C Connection

1. Plug the included 4-pin cable into the bottom of the TL-SMG-4C.
2. Plug the other end of the 4-pin cable into the RS232/Power port on the TL-SM3C.

Standalone Connection

Standalone operation requires the PSE-1004 (sold separately).

1. Connect the white and black lead of the PSE-1004 to the 12V port of the 4-pin removable plug.
2. Connect the black lead of the PSE-1004 to the ground port of the 4-pin removable plug.
3. Connect the RS232 ground pin of the display to the ground port of the 4-pin removable plug.
4. Connect the RS232 transmit pin of the display to the receive (RX) port of the 4-pin removable plug.
5. Connect the RS232 receive pin of the display to the transmit (TX) port of the 4-pin removable plug.

Standalone Configuration

Due to the location of the configuration port of the TL-SMG-4C, it is recommended to load the RS232 commands for standalone control before installing the device.

The baud rate of the USB port is 9600 baud. Changing the baud rate for the display will not change the baud rate for configuration port.

Standalone Command Settings

The following ASCII code list are the commands to define power and volume commands for the display.

| RS232 Command | Description | Feedback |
|----------------------|---|------------------------|
| /SetOn:command! | Display On command Length < 20 characters | #SetOn:command\r\n |
| /SetOff:command! | Display Off command Length < 20 characters | #SetOff:command\r\n |
| /SetTVVol-:command! | Volume Down command Length < 20 characters | /SetTVVol-:command\r\n |
| /SetTVVol+:command! | Volume Up command Length < 20 characters | /SetTVVol+:command\r\n |
| /SetTVVolM:command! | Mute command Length < 20 characters | #SetTVVolM:command\r\n |
| /Baudrate 2400! | Set the Display's baud rate. Acceptable values are 2400, 4800, 9600, 19200, 38400, 57600, 115200 | #Baudrate command\r\n |
| /FactoryDefault! | Reset SMG-4C to factory defaults | #FactoryDefault. |

Technical Specifications

| | |
|---------------------------|--|
| Surface Control Interface | <i>Two (2) membrane switches</i> |
| Under Table Connection | <i>One (1) 4-pin removable terminal block</i> |
| Config Port | <i>One (1) micro USB type B receptacle</i> |
| Surface Dimensions | <i>76mm (2.99 in) diameter; 2.8mm (0.11 in) tall</i> |
| Hole Insert Dimensions | <i>56mm (2.20 in) diameter; 31.6 mm (1.24 in) deep</i> |
| Supported Baud Rates | <i>2400, 4800, 9600 (default), 19200, 38400, 57600, 115200</i> |
| Warranty | <i>3 years</i> |