

Installation Guide for TL-RK02 Mounting Bracket

This guide provides brief introduction and usage method for TL-RK02 Mounting Bracket. This Mounting Bracket with 4 slots is designed for fixing four Transmitters or Receivers.

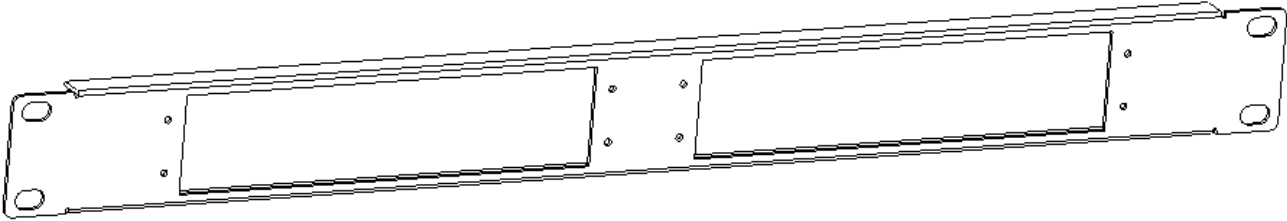
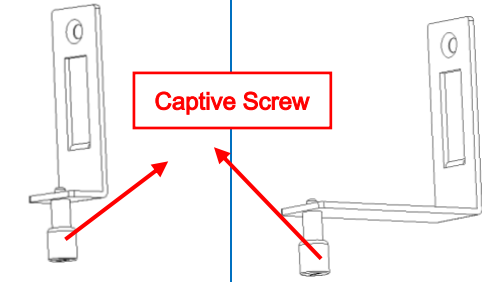
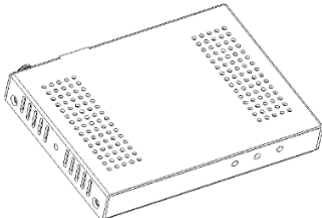
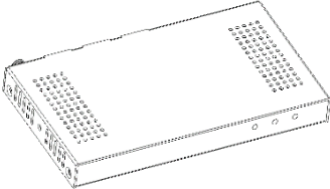

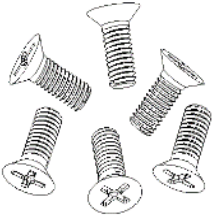
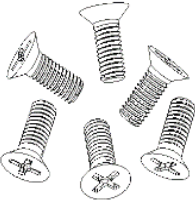
1. Preparation

✓ Unpacking

Take out all spare parts form the packaging box, and check them carefully. If you find any defective or missing parts, please contact your local dealer.

Packing List:		
8 x Support(1)	4 x Support(2)	1 x Main Frame
3 x Filler plates	12 x Screws(3*6mm)	6 x Screws(2.5*5mm)

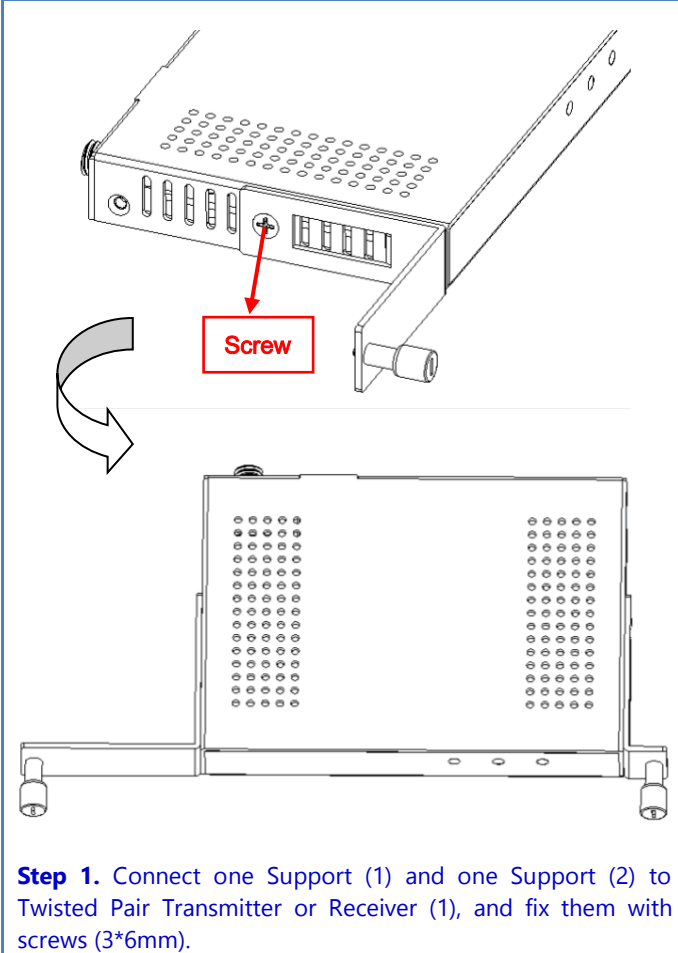
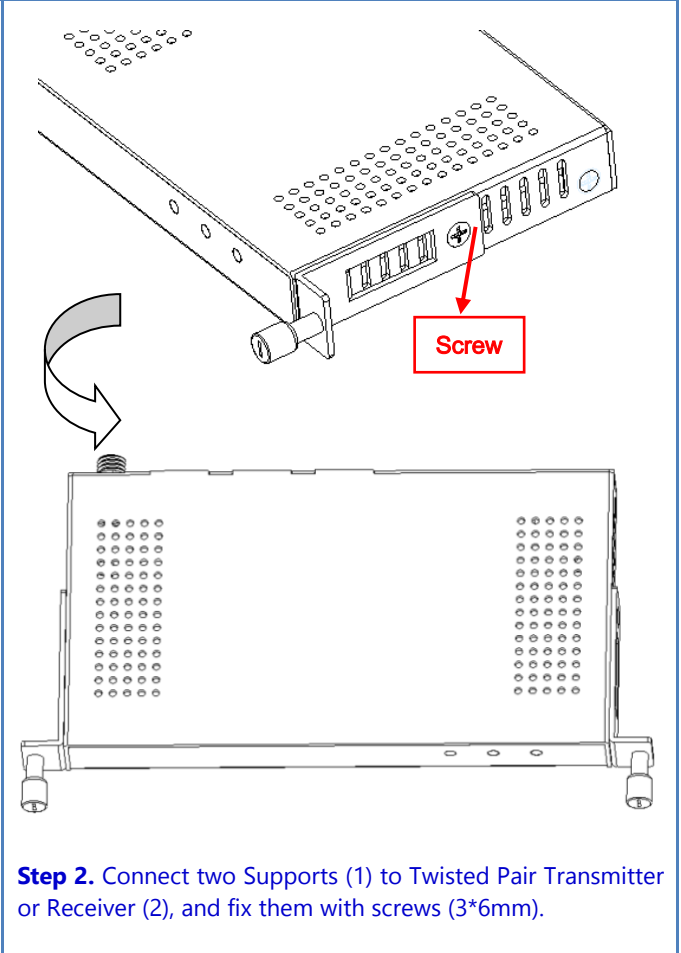
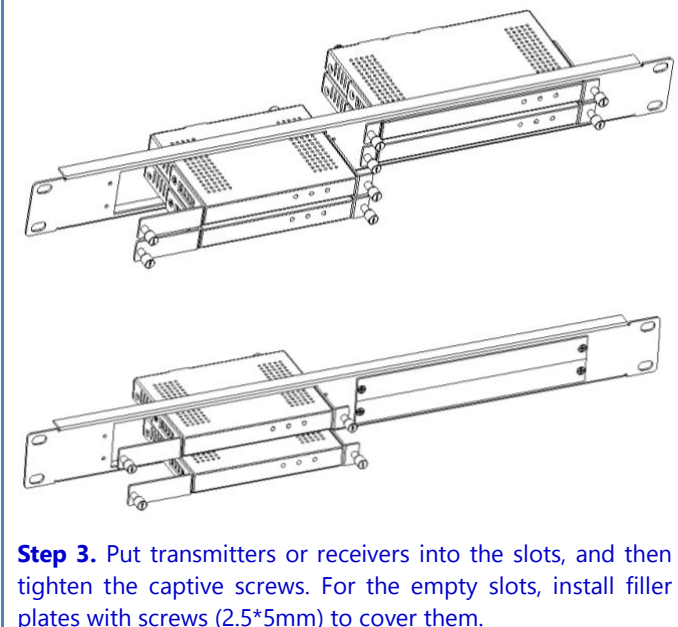
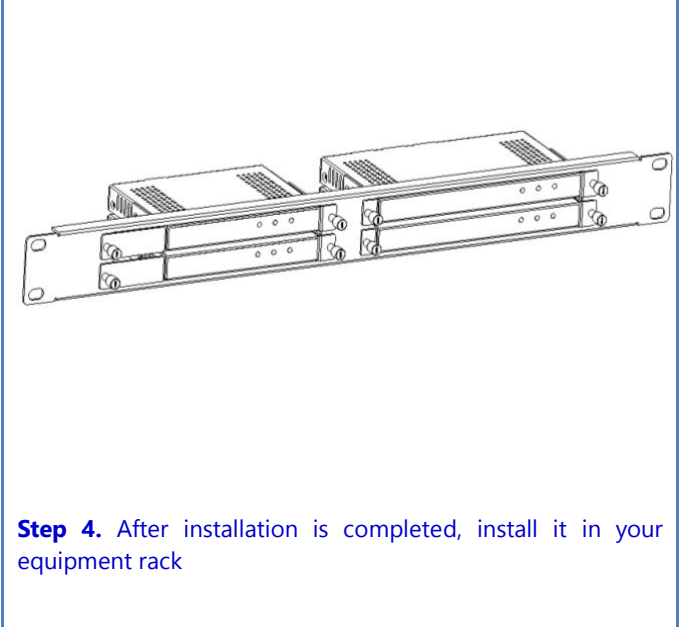
✓ Prepare Spare Parts

Main Frame			
			
Support (1)	Support (2)	Twisted Pair Transmitter or Receiver (1) (115mm*84mm*16mm)	Twisted Pair Transmitter or Receiver (2) (152mm*84mm*16mm)
			
Baffle plates	Screws(3*6mm)	Screws(2.5*5mm)	
			

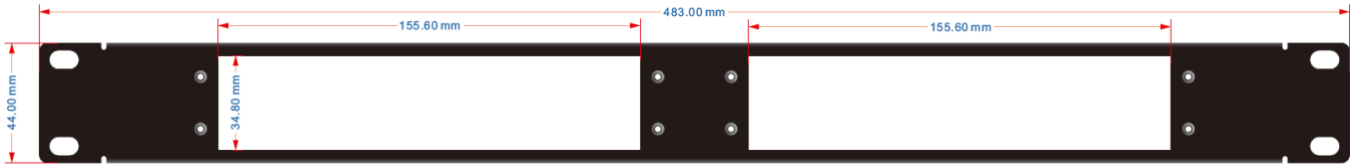


✧ Pictures for reference only.

2. Installation procedure

 <p>Step 1. Connect one Support (1) and one Support (2) to Twisted Pair Transmitter or Receiver (1), and fix them with screws (3*6mm).</p>	 <p>Step 2. Connect two Supports (1) to Twisted Pair Transmitter or Receiver (2), and fix them with screws (3*6mm).</p>
 <p>Step 3. Put transmitters or receivers into the slots, and then tighten the captive screws. For the empty slots, install filler plates with screws (2.5*5mm) to cover them.</p>	 <p>Step 4. After installation is completed, install it in your equipment rack</p>

3. Dimensional Drawing



Dimension (W*H*D)	483.00mm × 44.00mm × 11.50 (External Frame) 155.60mm × 34.80mm (Internal Square Frame)
Net Weight (g)	211g