

PRODUCT DATA SHEET

Server Rack

Nitrotel Server series server rack is the ultimate rack enclosure solution designed and engineered for demanding data center environments.

Highlights

Massive ventilation rate

Perforated doors for massive front-to-rear airflow up to 78%.

Loading capacity

Static loading capacity up to 1500KG (without leveling feet and castors)

Various packaging

Can be shipped in build-up or flat-packed. Flat-pack option enables savings up to 60% in transport cost and warehouse space.

Easy for maintenance

Horizontally divided side panels provide easy access and convenient post-installation maintenance.

Optimized for cable managing

Best design for cable management with Large cable access slots and cable management rails.

Features



Perforated single front door provides massive ventilation 78%



Split rear doors reduce clearance requirements for service access. The doors are perforated for optimal airflow.



Large cable access slots in the roof provides access for overhead cable egress. The cable access covered with plastic cap (brush panel is optional).



The vertical rails can be adjusted in quarter-inch (6.4mm) increments covering any mounting requirements for IT equipment. U positions are numbered for rapid installation of equipment.



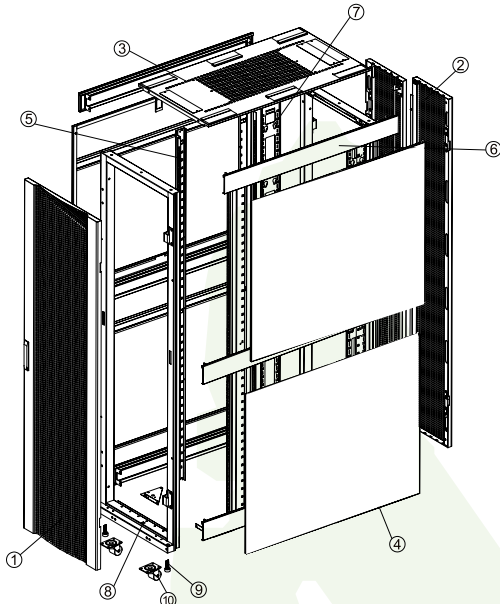
The heavy duty castors support a rolling load capacity of 1050KG, allowing racks to be pre-configured and rolled to the final installation location.



Half-height quick release side panels reduce size and weight for easy handling and access to equipment.



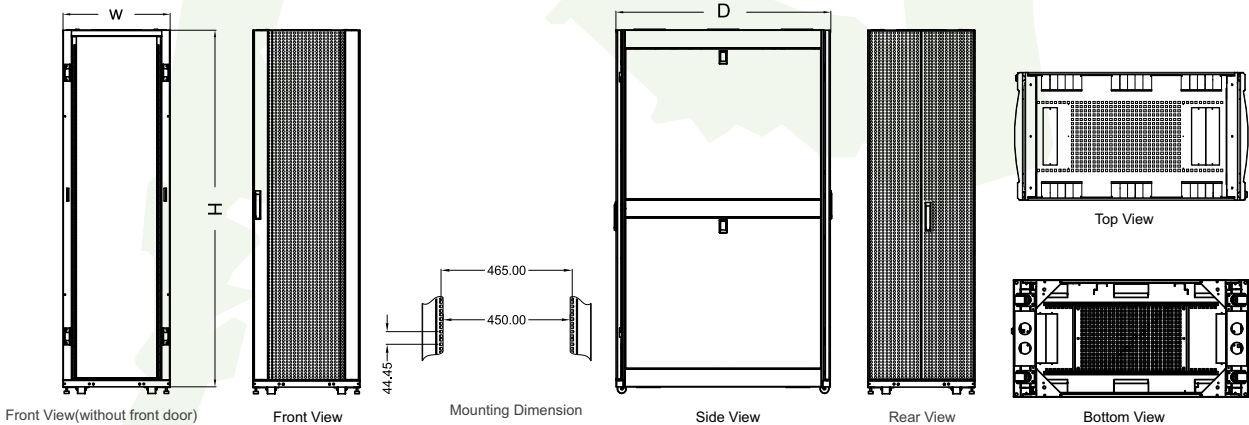
Components of SG (600mm Width) Series Standing Server Rack



S/N	Name	Quantity (24U)	Quantity (42/48U)
1	Front vented door with single lock	1	1
2	Rear door	2	2
3	Top cover	1	1
4	Side panel	2	4
5	Vertical rail	4	4
6	Horizontal beam	4	6
7	Cable management rail	2	2
8	Door frame	2	2
9	Levelling feet	4	4
10	2" heavy duty castor(without brake)	4	4

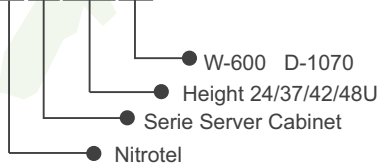
Note: Bottom plate is optional accessory.
3" heavy duty castor is optional.

Main Dimension



How to Dene Our Model

NTSCXXUXX



Specifications

Model	Capacity (U)	Dimension W*D*H(mm)	BU Packing Dimension		KD Packing Dimension			
			W*D*H(mm)	Volume (CBM)	Carton A W*D*H(mm)	Carton B W*D*H(mm)	Carton C W*D*H(mm)	Volume (CBM)
NTSC24U66	24	600*600*1191	650*750*1341	0.654	1235*245*630	1175*245*165	615*55*985	0.280
NTSC24U68	24	600*800*1191	650*950*1341	0.828	1235*245*630	1175*245*165	815*55*985	0.292
NTSC24U61	24	600*1070*1191	650*1150*1341	1.004	1235*245*630	1175*245*165	1015*55*985	0.302
NTSC24U88	24	800*800*1191	850*950*1341	1.083	1235*245*830	1175*275*240	815*55*985	0.372
NTSC37U61	37	600*1070*1770	650*1150*1928	1.441	1835*245*630	1745*215*165	1015*135*745	0.447
NTSC37U68	37	600*800*1770	650*950*1928	1.190	1835*245*630	1745*215*165	815*135*745	0.427
NTSC37U66	37	600*600*1770	650*750*1928	0.939	1835*245*630	1745*215*165	615*135*745	0.407
NTSC42U66	42	600*600*1992	650*750*2150	1.048	2055*245*630	1965*215*165	615*135*855	0.457
NTSC42U68	42	600*800*1992	650*950*2150	1.328	2055*245*630	1965*215*165	815*135*855	0.480
NTSC42U61	42	600*1070*1992	650*1150*2150	1.607	2055*245*630	1965*215*165	1015*135*855	0.503
NTSC42U6612	42	600*1200*1992	650*1350*2150	1.887	2055*245*630	1965*215*165	1215*135*855	0.526
NTSC42U88	42	800*800*1992	850*959*2150	1.736	2055*245*830	1965*215*165	815*135*855	0.580
NTSC42U81	42	800*1070*1992	850*1150*2150	2.102	2055*245*830	1965*215*165	1015*135*855	0.603
NTSC42U812	42	800*1200*1992	850*1350*2150	2.467	2055*245*830	1965*215*165	1215*135*855	0.626
NTSC48U66	48	600*600*2259	650*750*2350	1.146	2290*245*630	2225*245*165	615*135*985	0.525
NTSC48U68	48	600*800*2259	650*950*2350	1.451	2290*245*630	2225*245*165	815*135*985	0.551
NTSC48U61	48	600*1070*2259	650*1150*2350	1.757	2290*245*630	2225*245*165	1015*135*985	0.578
NTSC48U612	48	600*1200*2259	650*1350*2350	2.062	2290*245*630	2225*245*165	1215*135*985	0.443
NTSC48U88	48	800*800*2259	850*959*2350	1.736	2290*245*830	2225*245*165	815*135*985	0.555
NTSC48U81	48	800*1070*2259	850*1150*2350	2.297	2290*245*830	2225*245*165	1015*135*985	0.690

Note:

- 1.Package: Build-up(BU) or Knock-down (KD).
- 2.Hardware: 50 sets cage nuts

Color:

RAL9005

RAL7035

Material:

SPCC Cold Rolled Steel.

Knock-down Packaging

