












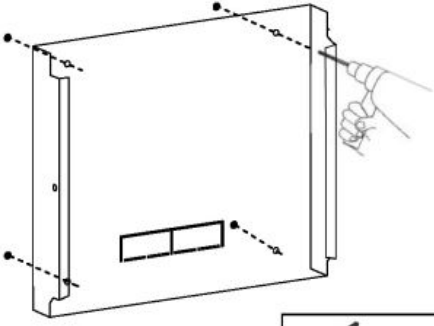
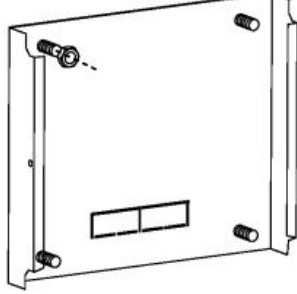
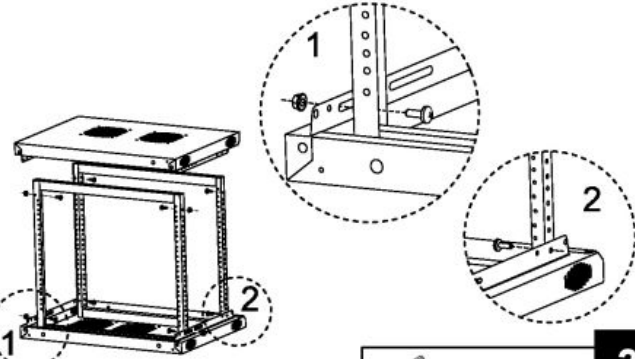
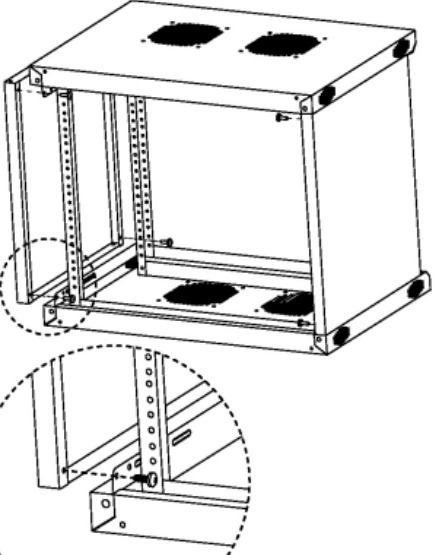
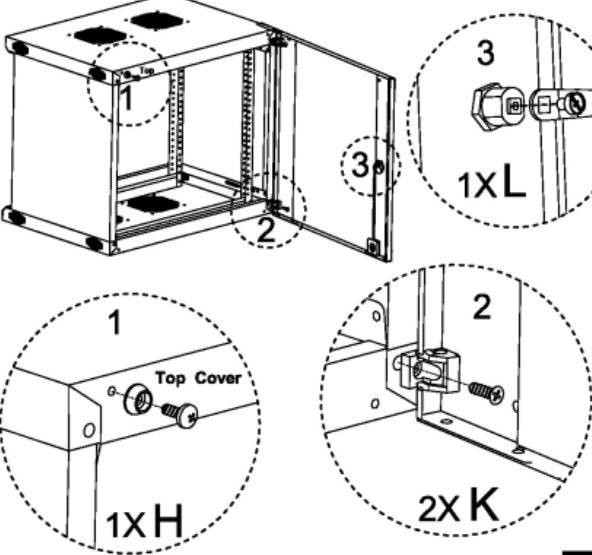
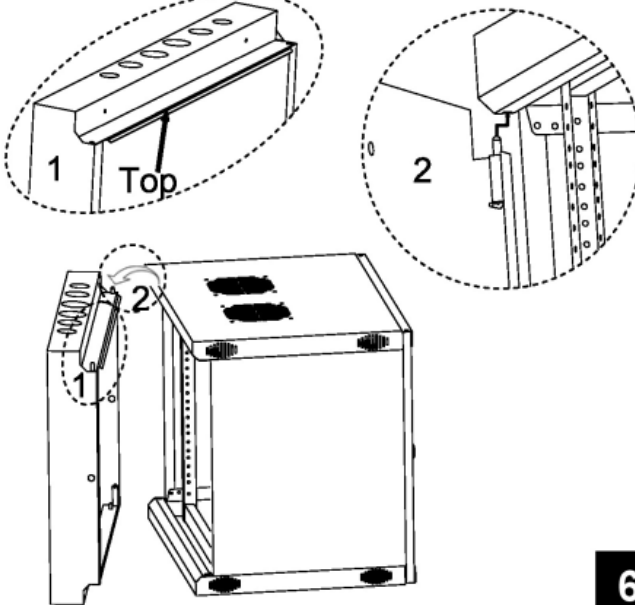


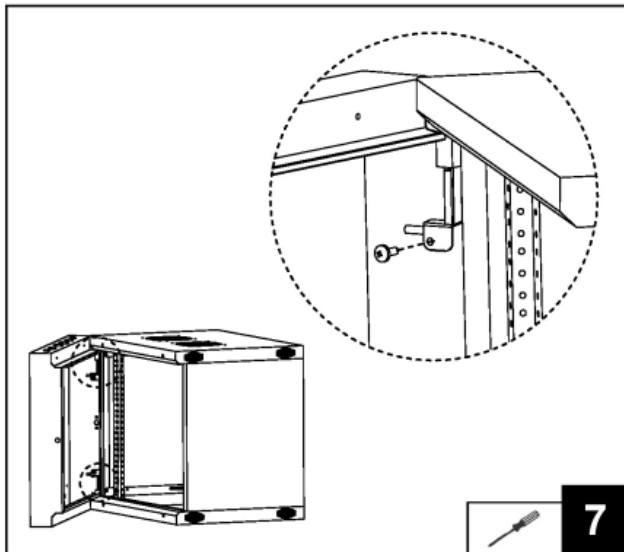
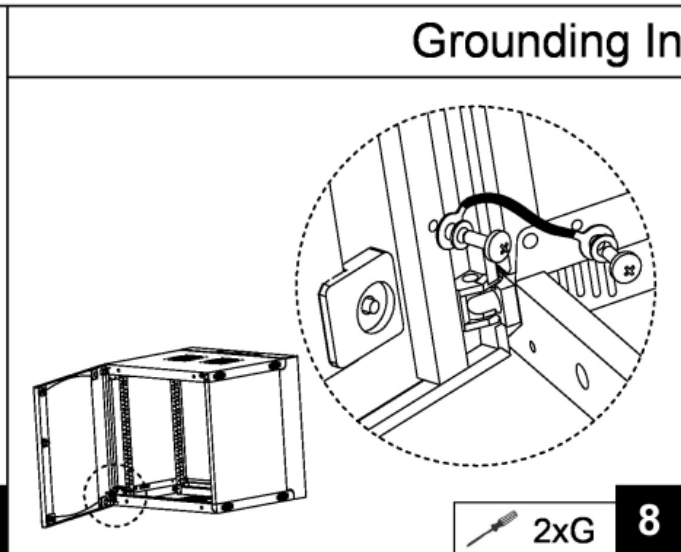
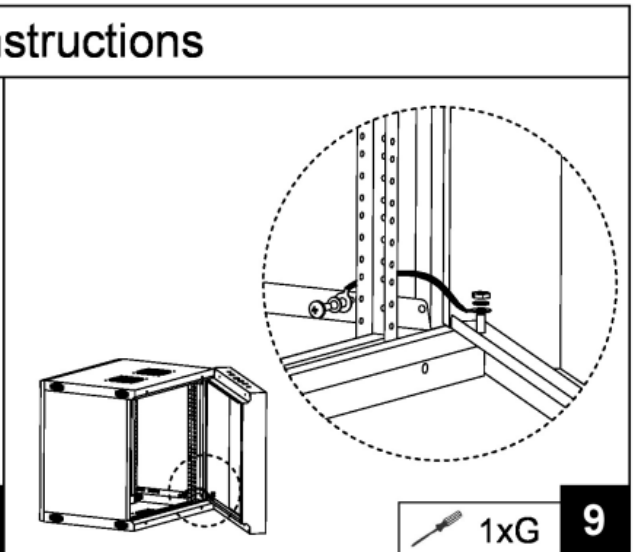
# DOUBLE SECTION WALL MOUNT CABINET

## Assembly and Installation Instructions

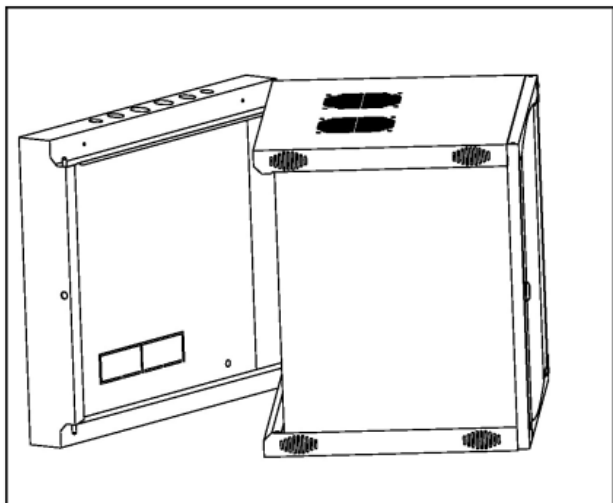
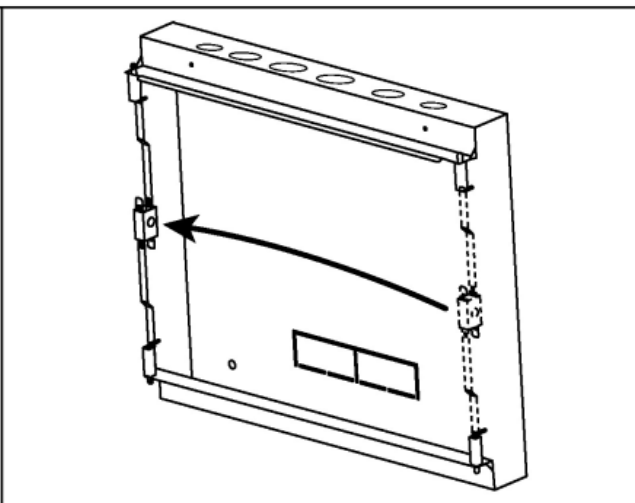
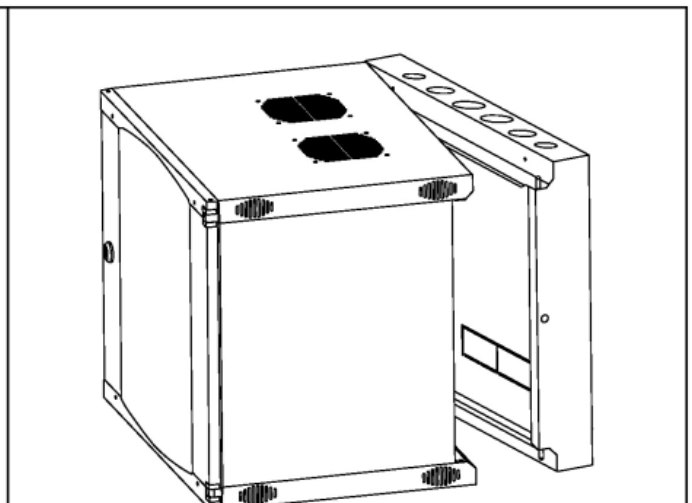
 <p><b>Max 100 lbs</b></p>	<p><b>SUPPLIED PARTS AND HARDWARE</b></p>							<p><b>Required for installation</b></p>				
	 <p>1X Usage instruction</p> <p><b>E</b></p>	 <p>48x 10-32 screw &amp; washer</p> <p><b>F</b></p>	 <p>18x M5x10mm screw</p> <p><b>G</b></p>	 <p>1x Guide piece 1x M4x10mm screw</p> <p><b>H</b></p>	 <p>4x M5 nut</p> <p><b>J</b></p>	 <p>2x M5x14mm screw</p> <p><b>K</b></p>	 <p>2x Key 1x Lock</p> <p><b>L</b></p>	 <p>1x Label</p> <p><b>M</b></p>	 <p>drill</p>	 <p>12mm drill bit</p>	 <p>screwdriver</p>	 <p>M8 expansion bolt</p>
 <p><b>1</b></p> <p>12mm</p>		 <p><b>2</b></p> <p>4x J</p>		 <p><b>3</b></p> <p>8xG, 4xJ</p>								
 <p><b>4</b></p> <p>8xG</p>		 <p><b>5</b></p> <p>1xH, 2xK, 1xL</p>		 <p><b>6</b></p>								

# DOUBLE SECTION WALL MOUNT CABINET

## Assembly and Installation Instructions

Grounding Instructions		
 <p>7</p>	 <p>2xG 8</p>	 <p>1xG 9</p>

### Instructions for changing the opening direction of the cabinet

 <p>Open the cabinet from the left</p> <p>1</p>	 <p>Remove the hinge mechanism from the right side and attach it to the left side</p> <p>2</p>	 <p>Open the cabinet from the right</p> <p>3</p>
--	---	--