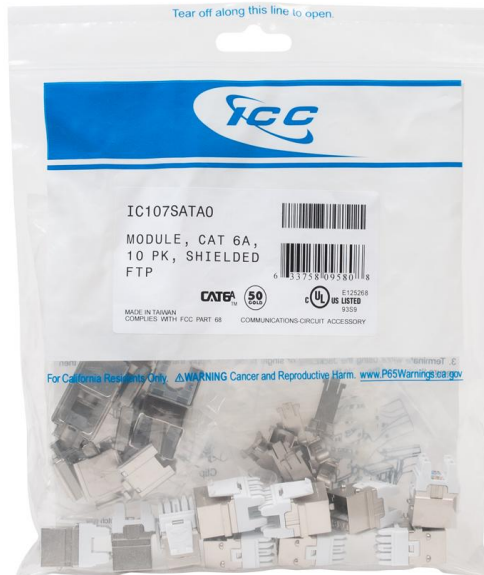


Category 6A Shielded Modular Connector, 10 Pack

Package Includes:

- A. CAT 6A Shielded Connector, 10 Pieces**
- B. Wiring Cap, 10 Pieces**
- C. Retaining Clip, 10 Pieces**
- D. Cable Tie, 10 Pieces**



Features and Benefits

- CAT 6A rated connectors provide excellent performance for data networks requiring maximum speed and bandwidth.
- PCB technology provides maximum performance and superior signal quality.
- Enhanced crosstalk cancellation reduces return loss and improves performance by rejecting noise and unwanted signals.
- Exceeds ANSI/TIA-568-C requirements for permanent, channel link and component performances.
- Engineered to provide 110 IDC termination reducing installation time
- Shielded housing provides against electro-magnetic interference (EMI)
- Includes an integrated TIA-568A/B color wiring diagram
- Backwards compatible to all lower rated category components
- Compatible with ICC CAT 6A FTP blank patch panel IC107PPS6A, faceplates, and surface mount boxes
- Used with Jackeasy Termination Tool ICACSPDTEH, and 110 punch down tool ICACSPDT00
- UL listed and exceeds TIA 568-C.2 Category 6A connecting hardware requirements

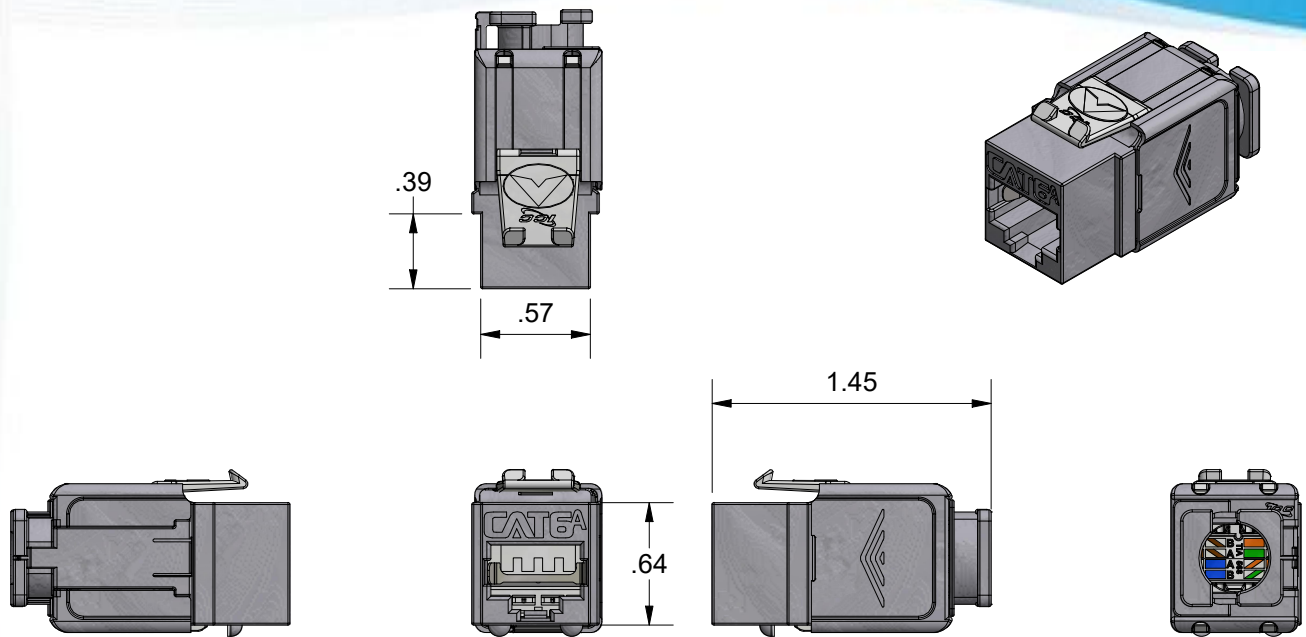
Part No: IC107SATA0

Rev: A

Page 1 of 2

icc.com | cs@icc.com





CAT 6A Connecting Hardware Requirements

Frequency (MHz)	1	4	8	10	16	20	25	31.25	62.5	100	200	250	300	400	500
NEXT Loss (dB)	75	75	75	74	69.9	68	66	64.1	58.1	54	48	46	42.9	37.9	34
FEXT Loss (dB)	75	71.1	65	63.1	59	57.1	55.1	53.2	47.2	43.1	37.1	35.1	33.6	31.1	29.1
RETURN Loss (dB)	35	30	30	30	30	30	30	30	30	28	22	20	18.5	16	14
Insertion Loss (dB)	0.1	0.1	0.1	0.1	0.1	0.1	0.1	0.11	0.16	0.2	0.28	0.32	0.35	0.4	0.45

NOTE: UNLESS OTHERWISE SPECIFIED

- Certification:
 - Meets ANSI/TIA-568-C.2 (500MHz)
- Environmental Condition:
 - Storage: -40 To +70°C
 - Operation: -10 To +60°C
- Electrical:
 - Electrical Insulation Resistance: 500 MΩ Min @ 100V DC
 - Dielectric Withstanding Voltage: 1000V DC or AC Peak Contact To Contact @ 60Hz For 1 Minute
 - Spring Wire Contact Resistance: 20 MΩ Max
 - IDC Contact Resistance: 2.5 MΩ Max
- Mechanical:
 - Retention: 50N (11 LBF) For 60s +/-5s
 - Insertion/Extraction Life: 750 Cycles Min.
- CAT 6A FTP Modular Connector:
 - Material:
 - Housing: Zinc-Alloy
 - Jack Wiring: Phosphor Bronze Alloy Plated with 50 μin of Gold over 70~100 μin of Nickel
 - Connector: Insulation Displacement Connector (IDC)
 - Accepts 22~24 AWG Solid Wire
- Shielded Wire Cap:
 - Material: Zinc-Alloy

WIRING DIAGRAM

