

PRODUCT DATA SHEET

SOHO Cabinet

Standard

- Comply with ANSI/EIA RS-310-D, IEC60297-2, DIN41494, PART1; DIN41494, PART7

Material

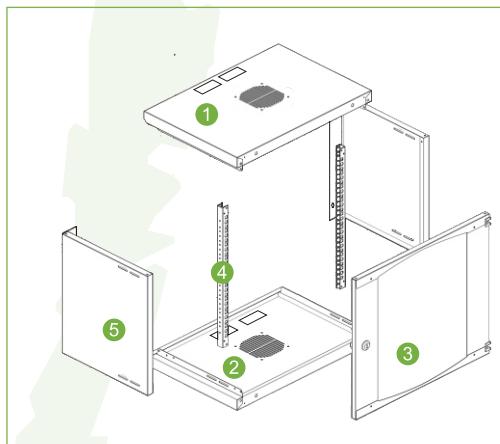
- SPCC Cold Rolled Steel:
- Thickness: 19" rails: 1.2mm, others: 1.0mm

Color

- RAL7035
- RAL9004

Loading Capacity

- Static loading: Up to 60 KG



Feature

- Disassembled and small packaging, easy to deliver and carry.
- Special design front and back frames are with good stability.
- 16 screws are needed to assemble the whole enclosure. It will take only 10 minutes to assemble the enclosure by one person.
- Wide glass front door allows an excellent view of the interior of the cabinet. Opening direction could be changed easily.
- Cable entries are available on top, bottom and back of enclosure, suitable for different places.
- Maximum Loading capacity: 50kgs.

Definition of Code

NTSOHO ■ U500  
 └─ Cabinet capacity(U): 6, 9, 12



### Main Part

S/N	Specification	Qty	Material	Surface Finish	Remark
1	Top Cover	1	SPCC t1.0	Powder coated	----
2	Bottom Plate	1	SPCC t1.0	Powder coated	----
3	Front door	1	5MM toughed glass door/ SPCC t1.0	----	Small lock
4	19" rails	2	SPCC t1.5	Powder coated	----
5	Side Panels	2	SPCC t1.0	Powder coated	----

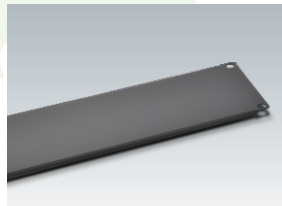
### Specification

Model N o.	RU	Width (mm)	Depth(D)(mm)	Height(H)(mm)	Static Loading Capacity (kg)
NTSOHO6U500	6	600	450	370	40
NTSOHO9U500	9	600	450	500	45
NTSOHO12U500	12	600	450	635	50

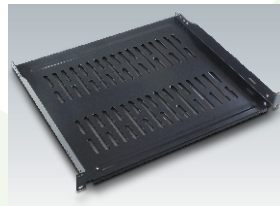
### May Installs The Fitting



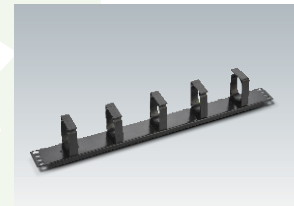
Cooling fan



Blank filler panel



Shelves



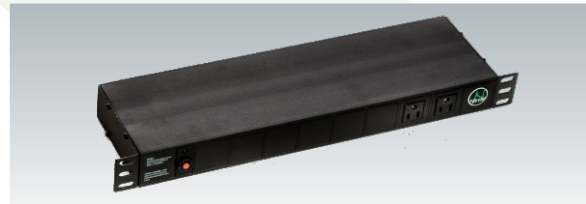
Cable management



M6 Screws & nuts



Grounding kit



PDUs