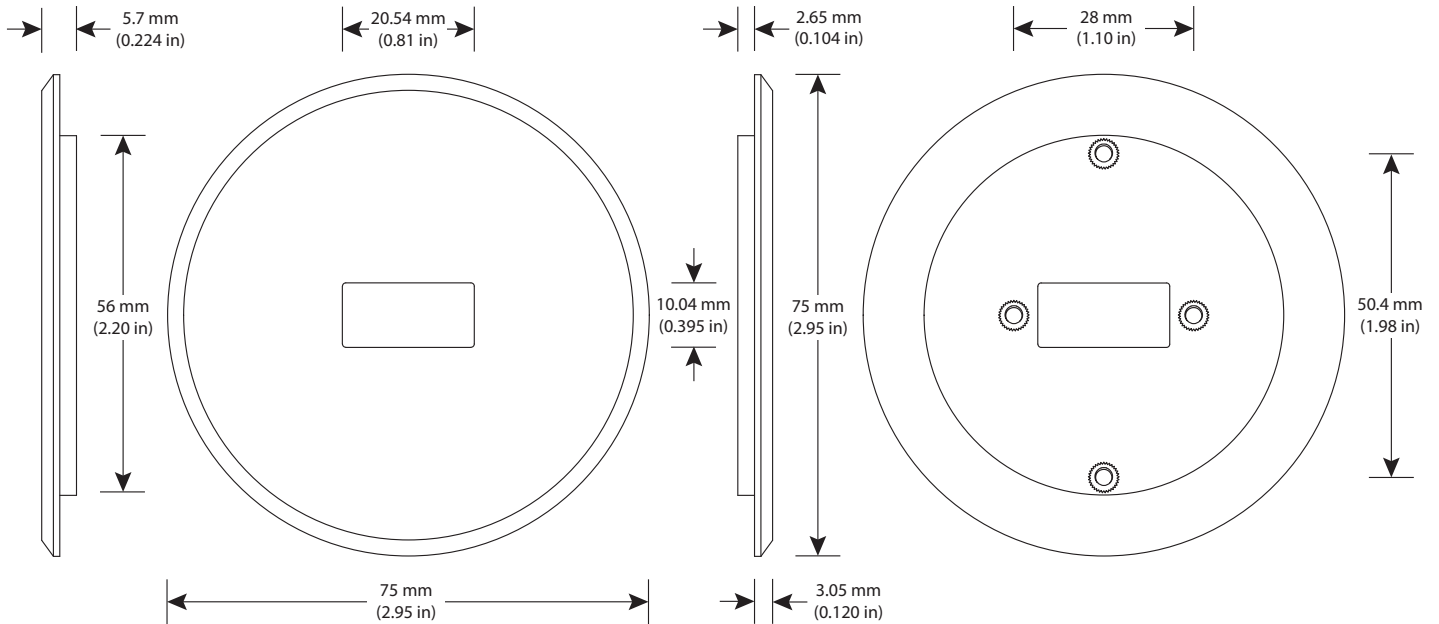


## Technical Specifications

# MOFO-PT-TA1

### MOFO-PT Cable Table Insert



## General Specifications

Surface Dimensions	75mm (2.95 in) diameter; 3.05mm (0.120 in) tall
Hole Insert Dimensions	56mm (2.20 in) diameter; 2.65mm (0.104 in) deep
Surface Opening (W x H)	20.54mm (0.81 in) x 10.04mm (0.395)
MOFO-PT Mounting Points	M3 screw hole; 28mm (1.10 in) spacing
Bracket Mounting Points	M3 screw hole; 50.4mm (1.98 in) spacing
Materials	Powder coated cast aluminum; brass M3 inserts
Compatible Products	MOFO-HD20PT and MOFO-USB321PT series cables
Part Numbers	MOFO-PT-TA1B (black paint) MOFO-PT-TA1W (white paint)
Warranty	3 years