

MM3 & MM-P SERIES

FIXED POLE & DYNAMIC ARM COLUMN MONITOR MOUNTS

The MM3 Series Dynamic Arm Column Mounts marries the patented 3-way mounting base from Middle Atlantic with the industry leading Kontour™ monitor mounts from Chief. The MM-P Series Fixed Pole Mount is the perfect solution for mobile racks and lecterns with the industry leading Kontour™ monitor mounts from Chief



MM-P-100-BK



MM3-C-120-BK



MM3-C-420-BK



MM3-C-330-BK



MM3-C-220-BK

FEATURES AND BENEFITS

- Patented 3-way mounting cup included for desk clamp, grommet mount and bolt-through flexibility for installation on mobile racks, lecterns and ViewPoint consoles. (MM3 models)
- All MM3 models provide 13" dynamic height adjustment plus additional 7" manual height adjustment on column
- Sleek, solidly-constructed mounts support most monitors up to 32"-diagonal, and are available in elegant black finish
- Patented Centris™ Extreme Tilt provides +75°, -10° of effortless tilt
- Adjustable tension settings on monitor rotation & tilt allow for customized movement
- All models include Quick-Release Monitor Interface with teardrop hole pattern for easy installation & service
- All models include integrated Cable Management for clean installation
- VESA® 75 x 75 mm and 100 x 100 mm compatible (interface brackets available for other VESA patterns)

TOP COMPATIBLE PRODUCTS



ViewPoint™ Series Consoles

compatible with MM3 Series



LD Series Desk



L5 Series Lectern



BGR MDK Mobile Rack

compatible with MM-P Series



RFR Furniture Mobile Rack

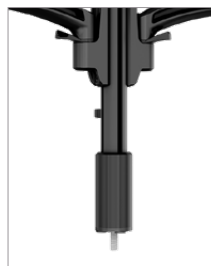
MOUNTING METHODS



Edge Clamp



Grommet / Bolt-Thru Mount

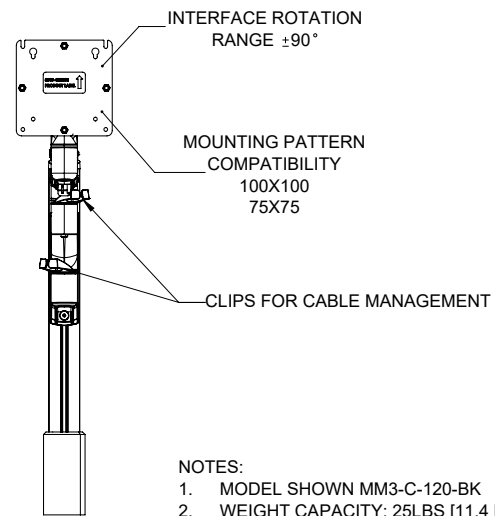
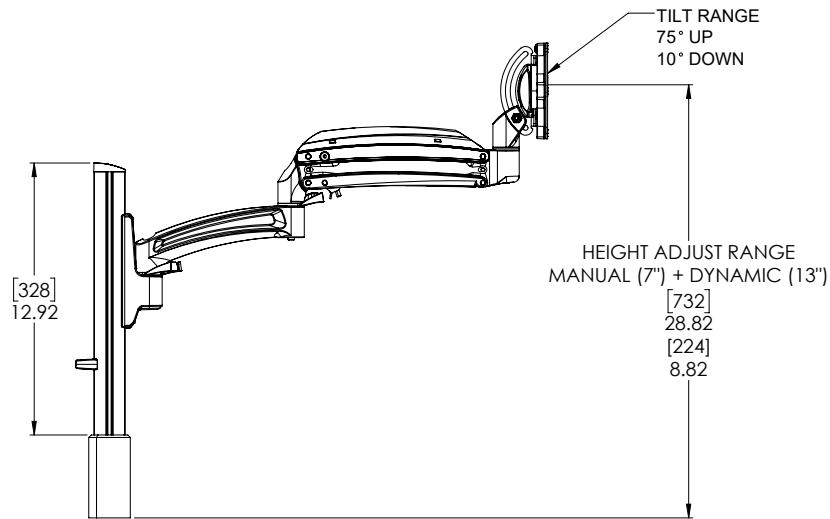
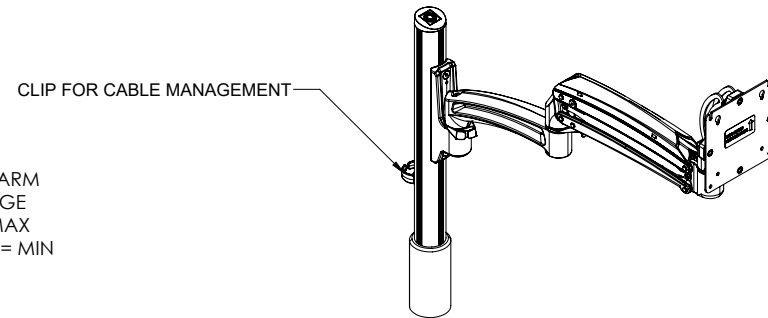
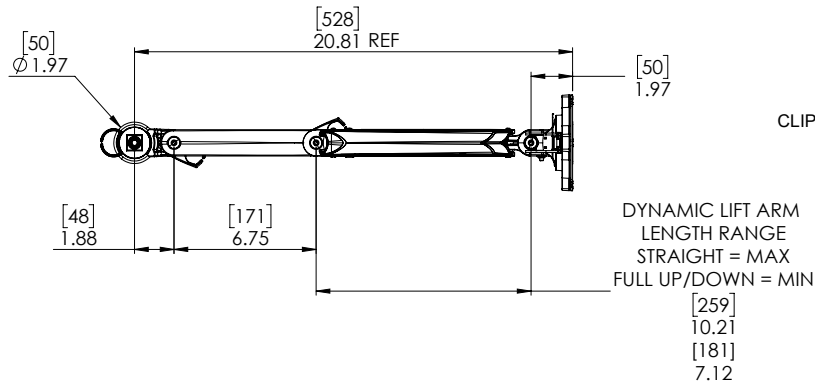


ViewPoint Console Mount

US PATENT# 10,349,739

MM3 SERIES

BASIC DIMENSIONS

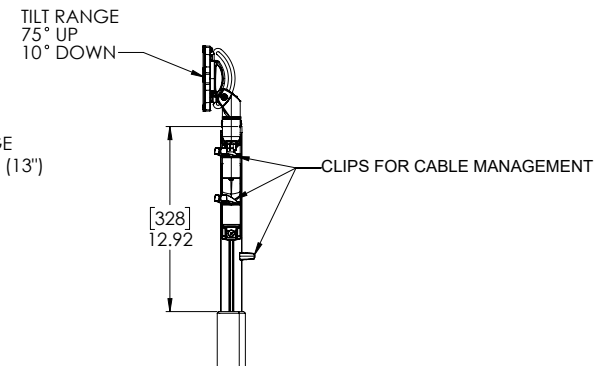
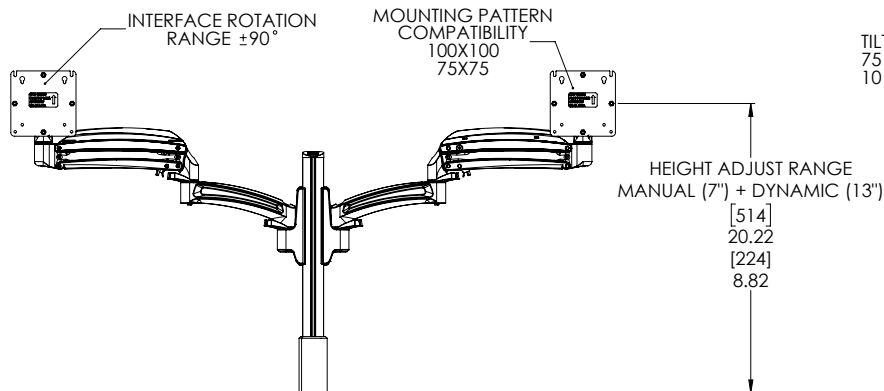
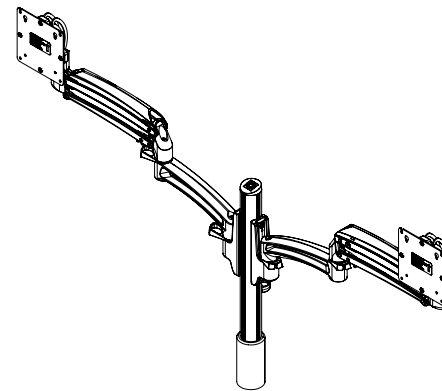
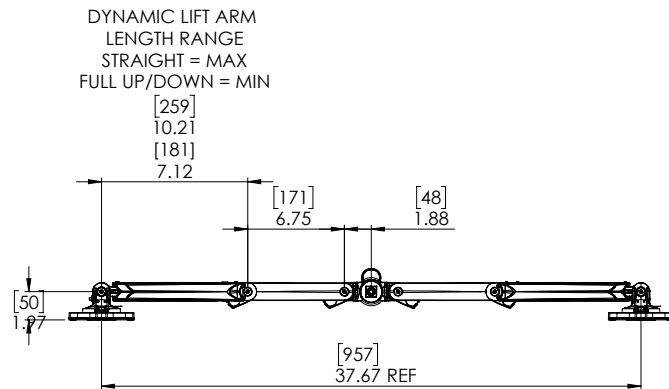


NOTES:

1. MODEL SHOWN MM3-C-120-BK
2. WEIGHT CAPACITY: 25LBS [11.4 KG] PER MONITOR
3. ALL DIMENSIONS ARE IN THE FORMAT IN [MM]

MM3 SERIES

BASIC DIMENSIONS

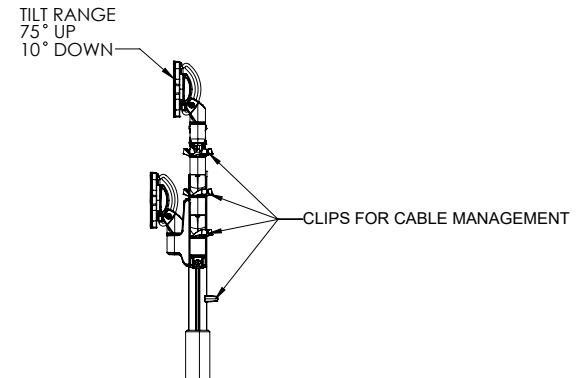
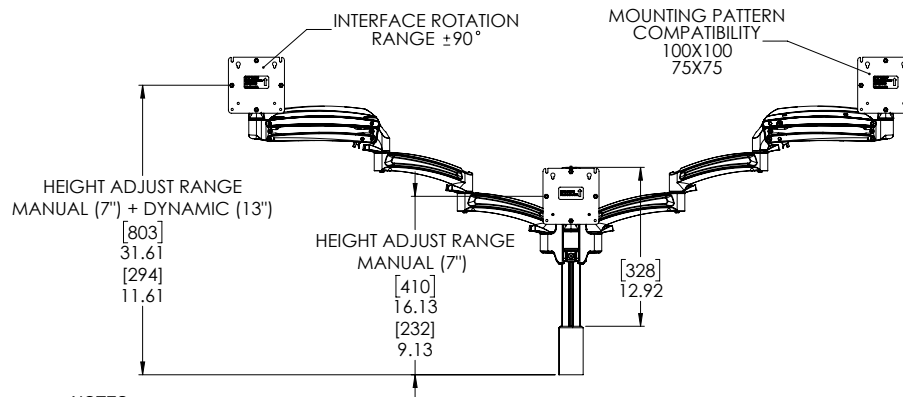
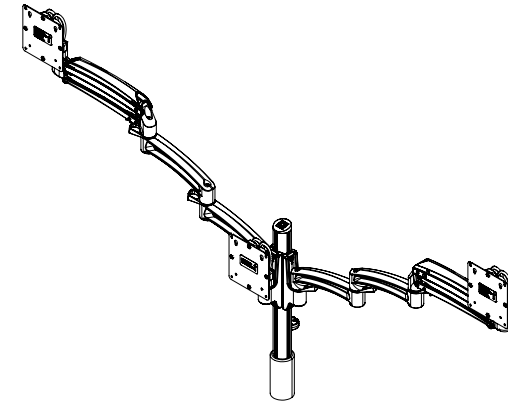
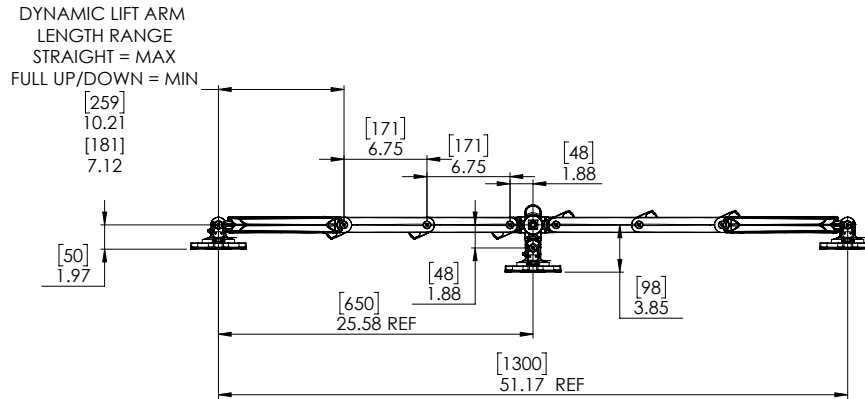


NOTES:

1. MODEL SHOWN MM3-C-220-BK
2. WEIGHT CAPACITY: 25LBS [11.4 KG] PER MONITOR
3. ALL DIMENSIONS ARE IN THE FORMAT IN [MM]

MM3 SERIES

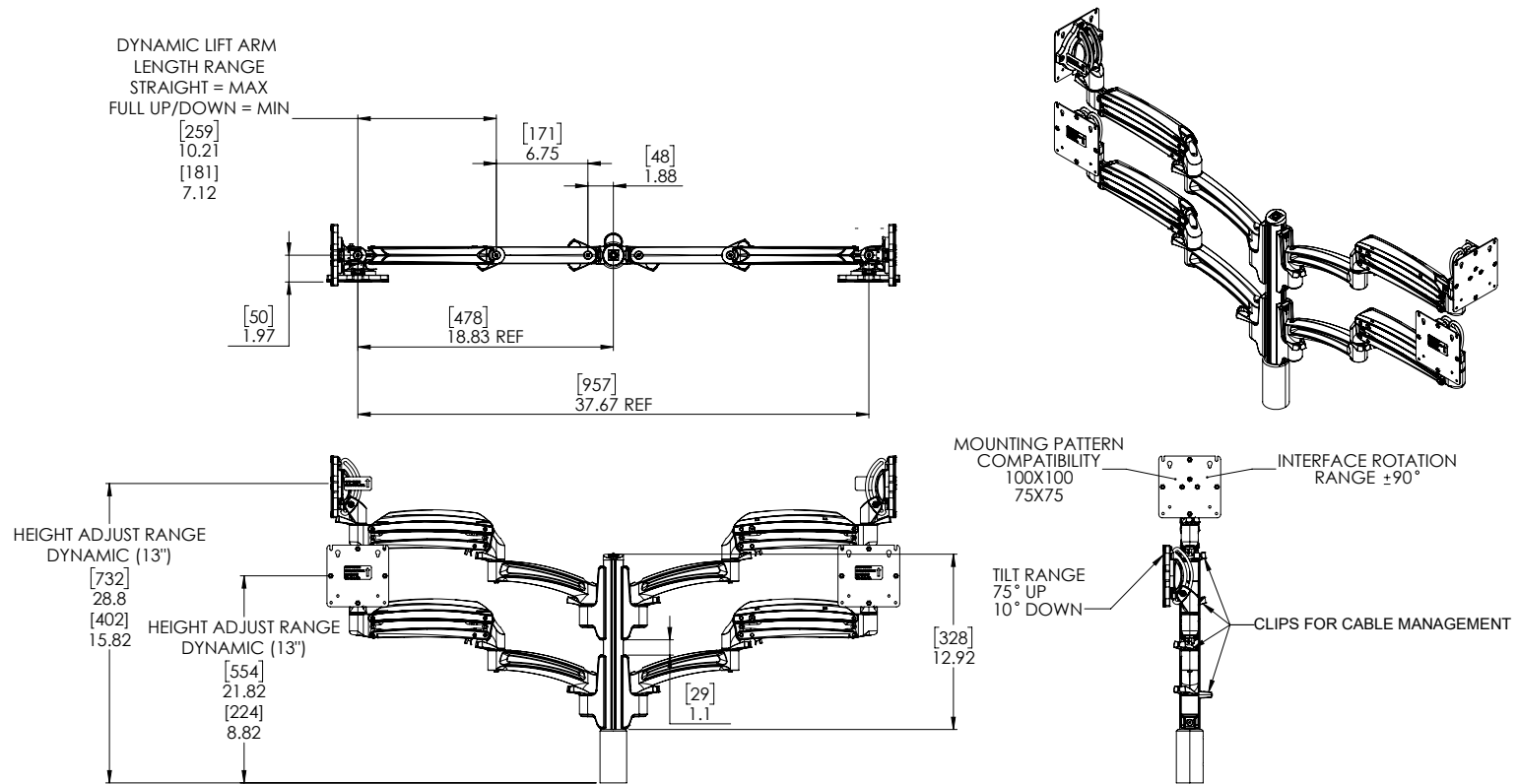
BASIC DIMENSIONS



- NOTES:
1. MODEL SHOWN MM3-C-330-BK
 2. WEIGHT CAPACITY: 20LBS [9 KG] PER MONITOR
 3. ALL DIMENSIONS ARE IN THE FORMAT IN [MM]

MM3 SERIES

BASIC DIMENSIONS

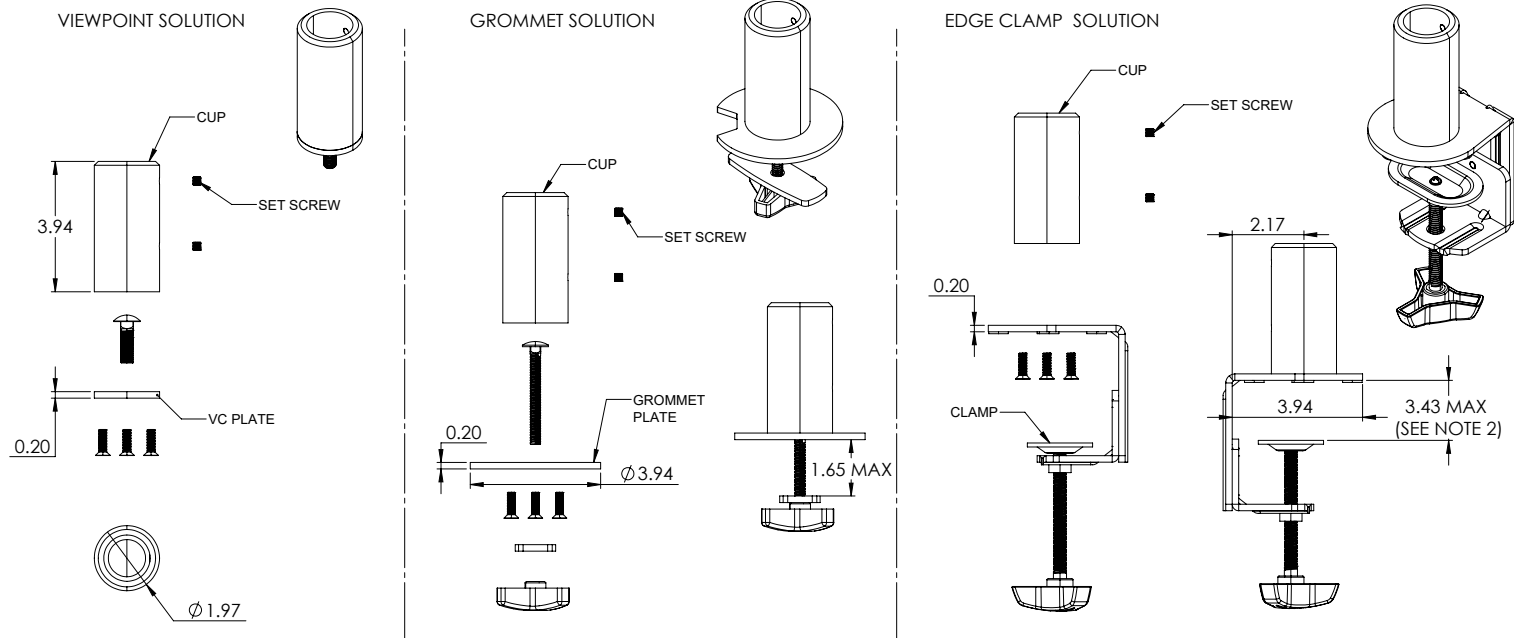


NOTES:

1. MODEL SHOWN MM3-C-420-BK
2. WEIGHT CAPACITY: 18 LB [8 KG] PER MONITOR
3. ALL DIMENSIONS ARE IN THE FORMAT IN [MM]

MM3 SERIES

BASIC DIMENSIONS

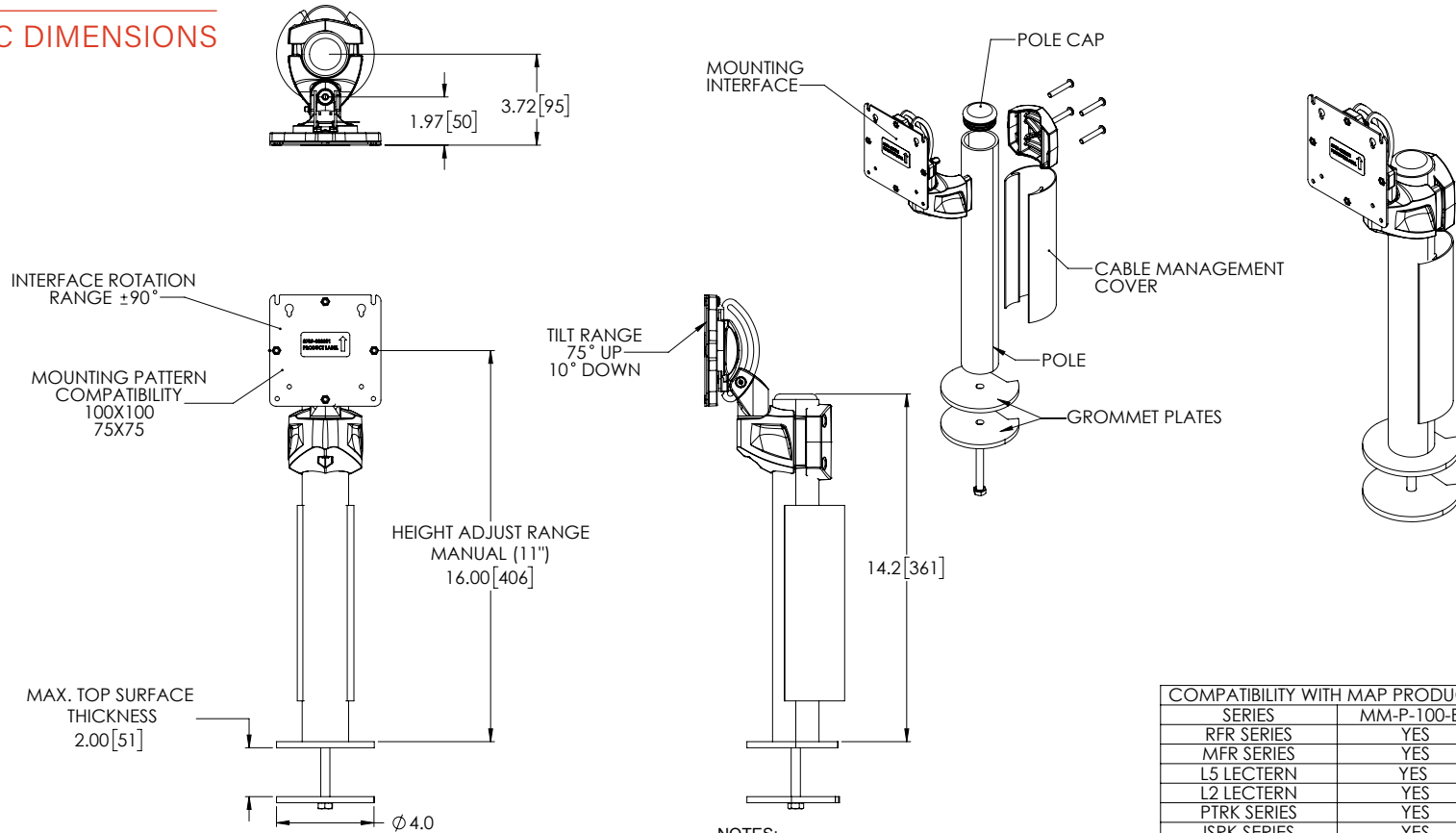


COMPATIBILITY WITH MAP PRODUCTS			
SERIES	VIEWPOINT SOLUTION	GROMMET SOLUTION	EDGE CLAMPING SOLUTION
LD DESK SERIES	NO	YES	NO
VIEWPOINT CONSOLE SERIES	YES	NO	NO

- NOTES:
1. HOLE SIZE RANGE FOR GROMMET SOLUTION 0.4 [10] TO 1.0 [25]
 2. MAXIMUM OPENING FOR ALL FINISHED GOODS EXCEPT FOR MM3-C-420-BK: 2.25 MAX

MM-P SERIES

BASIC DIMENSIONS



COMPATIBILITY WITH MAP PRODUCTS	
SERIES	MM-P-100-BK
RFR SERIES	YES
MFR SERIES	YES
L5 LECTERN	YES
L2 LECTERN	YES
PTRK SERIES	YES
ISRK SERIES	YES

- NOTES:
1. WEIGHT CAPACITY: 40LBS [18.2KG]
 2. ALL DIMENSIONS ARE IN THE FORMAT IN [MM]



INSTALLER INSPIRED | legrandav.com

USA 866.977.3901 av.chief.support@legrand.com
 CANADA 877.345.4329 av.chief.canada@legrand.com
 EMEA +31 495 580 840 av.emea.sales@legrand.com
 APAC +852 2145 4099 av.asia.sales@legrand.com



WHAT GREAT SYSTEMS ARE BUILT ON™ | legrandav.com

USA 800.266.7225 av.middleatlantic.support@legrand.com
 CANADA 888.766.9770 av.middleatlantic.support@legrand.com

©2020 Legrand AV Inc. 200602 Rev A 9/20 Chief and Middle Atlantic are registered trademarks of Legrand AV Inc. All other brand names or marks are used for identification purposes and are trademarks of their respective owners. All patents are protected under existing designations. Other patents pending.