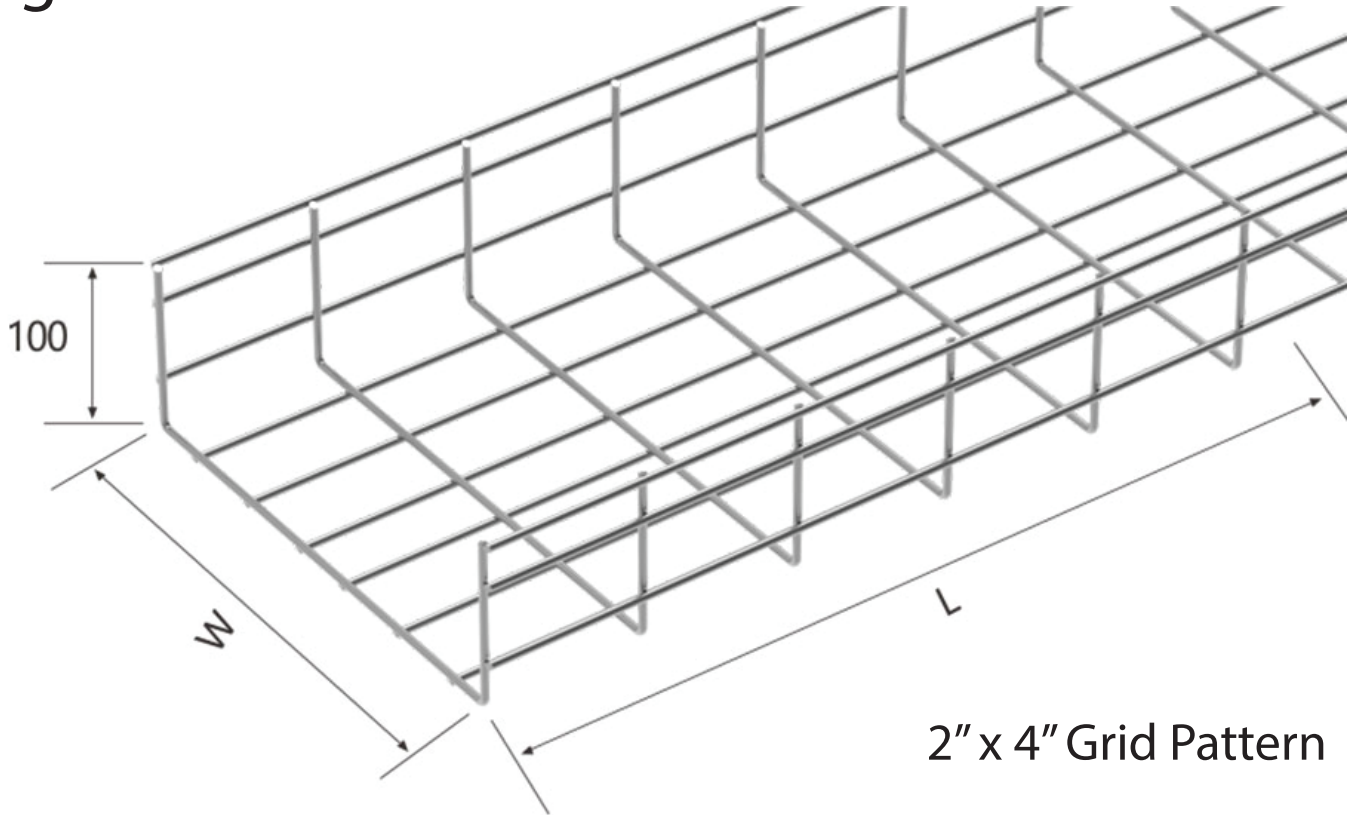




# Kable Kontrol Cable Tray System

## Straight Sections



Part Number	Height	Width	Length	Thickness	Weight/PCS	Max # cables 50% Fill Ratio	Approx. Max. Cable Weight lbs./ft	lbs./ft. 10ft.
NL8504023	2" (50mm)	4" (100mm)	9.83' (3m)	0.20" (5mm)	8.47lbs (3.84 Kg)	87	2.87	8
NL8506023	2" (50mm)	6" (150mm)	9.83' (3m)	0.20" (5mm)	10.05lbs (4.56 Kg)	130	4.29	14
NL8508023	2" (50mm)	8" (200mm)	9.83' (3m)	0.20" (5mm)	11.57lbs (5.25Kg)	174	5.74	16
NL8512023	2" (50mm)	12" (300mm)	9.83' (3m)	0.20" (5mm)	14.68lbs (6.66 Kg)	260	8.58	19
KK-4X2X5-EZ	2" (50mm)	4" (100mm)	4.91' (1.4m)	0.20" (5mm)	4.23lbs (1.92 Kg)	87	2.87	8
KK-6X2X5-EZ	2" (50mm)	6" (150mm)	4.91' (1.4m)	0.20" (5mm)	5.02lbs (2.28 Kg)	130	4.29	14
KK-8X2X5-EZ	2" (50mm)	8" (200mm)	4.91' (1.4m)	0.20" (5mm)	5.80lbs (2.63Kg)	174	5.74	16
KK-12X2X5-EZ	2" (50mm)	12" (300mm)	4.91' (1.4m)	0.20" (5mm)	7.34lbs (3.33 Kg)	260	8.58	19