

# Heckler AV Cart XL

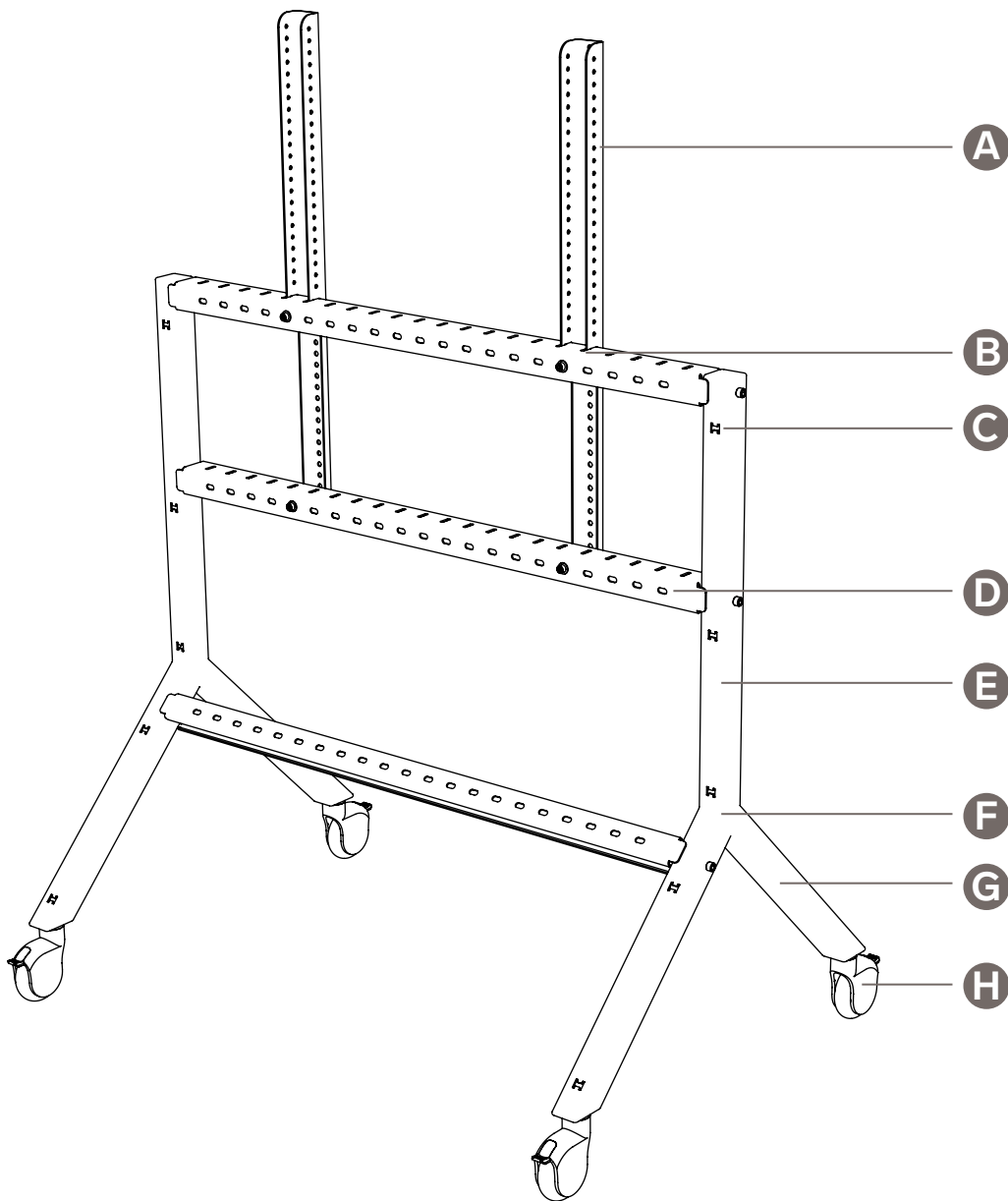
H592

Designed for 75-inch to 98-inch Displays



Position your mission-critical interactive displays and digital signage where you need it most with Heckler AV Cart XL. Designed for 75-inch to 98-inch displays, this commercial-grade rolling stand is perfect for all-hands meetings, way-finding, and projector replacement. With Heckler AV Cart XL you can free your most valuable displays from the wall to become one your organization's most valuable tools.

## Features



**A** Height-adjustable display mounting.

\* Compatible with displays with up to VESA 1000 (horizontal) mounting pattern, up to 300 pounds of total display weight.

\* Recommended for use with 75-inch to 98-inch displays.

**B** Quick and easy installation with special display rail design.

**C** Integrated cable management along the Side Legs.

**D** Integrated cable management along the rear Cross Bars.

**E** Scratch & fingerprint-resistant powdercoat finish.

**F** Fully-welded, heavy steel construction.

**G** Nesting design to maximize storage space.

**H** Braking casters with 4-inch diameter non-marring wheels.

\* Cart legs feature female threads compatible with casters and leveling feet with a 1/2 inch-13UNC, 1 inch long threaded post.

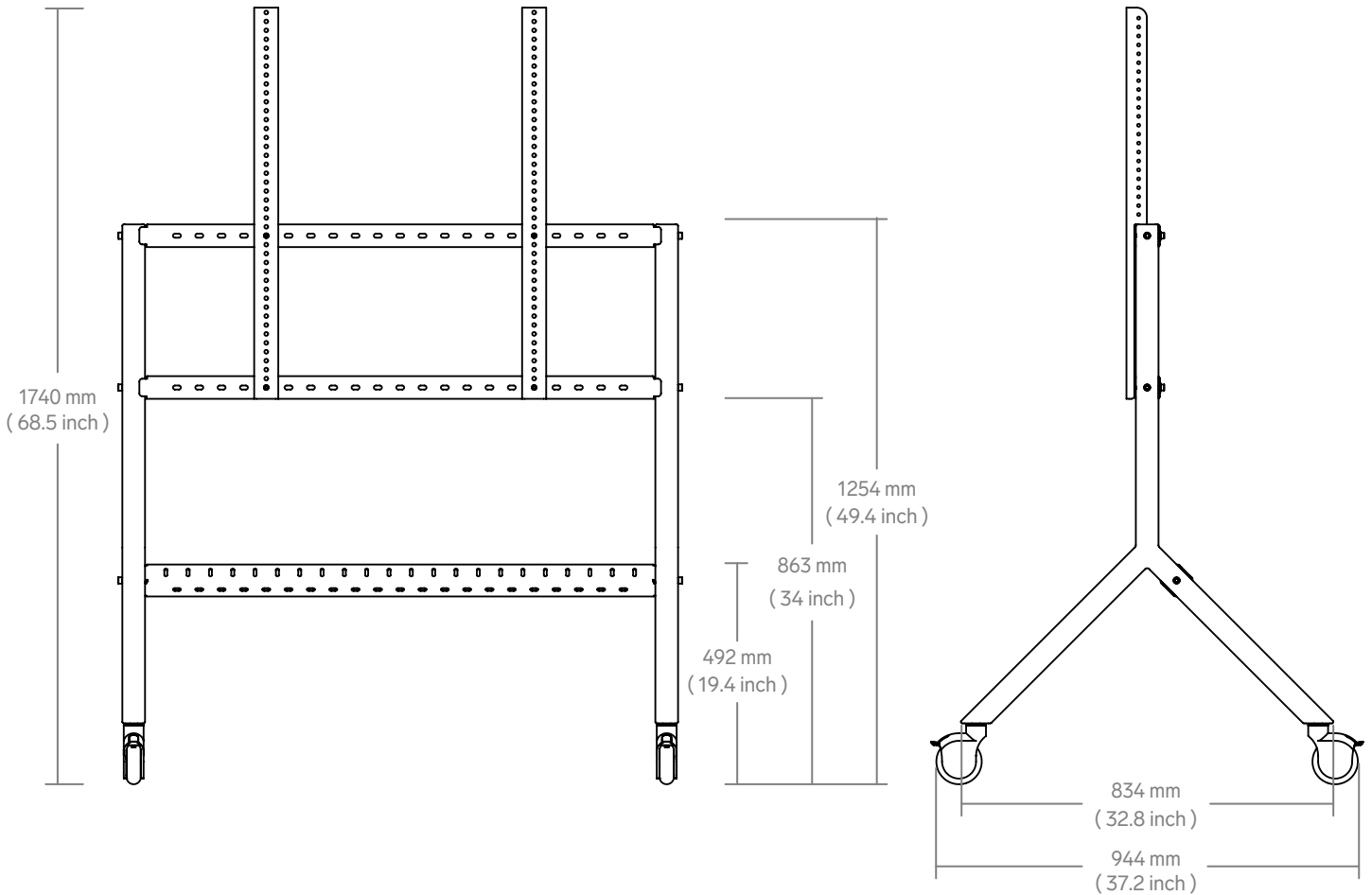
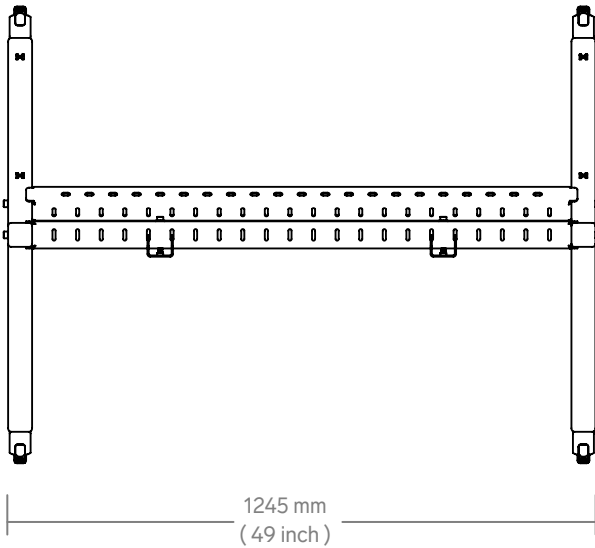
**I** Simple assembly.

**J** Cost-effective door-to-door shipping via DHL, FedEx, and UPS.

# Heckler AV Cart XL

H592

## Dimensions



# Heckler AV Cart XL

H592

---

## Specifications

<b>Price</b>	\$1,499
<b>SKU</b>	H592
<b>Height</b>	68.5 inches
<b>Width</b>	49 inches
<b>Depth</b>	37.2 inches
<b>Weight</b>	79 lbs
<b>Warranty</b>	Limited Lifetime

---

## Colors

<b>Name</b>	<b>SKU</b>
Black Grey	H592-BG

---

## Compatible Devices

Display with up to VESA 1000 (horizontal) mounting pattern, up to 300 pounds of total display weight.

Recommended for use with 75-inch to 98-inch displays.

---

## In the Box

Heckler AV Cart XL  
Assembly hardware  
Assembly tools  
Assorted display-mounting hardware (M4, M5, M6, M8)