

Packaging List

1. Top Panel	1pc	6. Horizontal Beams	1pc
2. Bottom Panel	1pc	7. L Type Mounting Brackets	1pc
3. Frames	2pcs	8. Back Panel	2pcs
4. Front Door	1pc	9. Mounting Bracket	1pc
5. Side Panels	2pcs	10. Vertical Mounting Rails	2pcs

Item List Accessories Packaging

Assembly Hardwares:

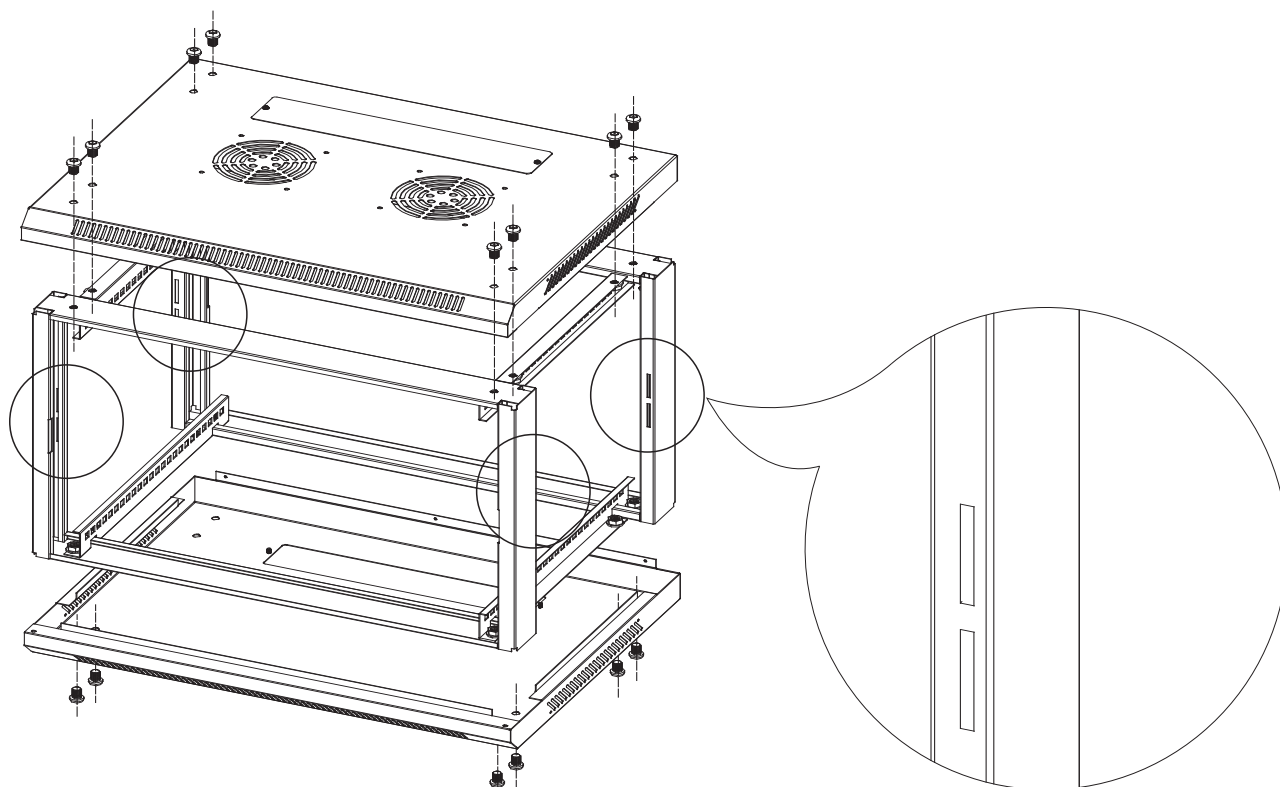
A. M6*12 Screw	12PCS	C. M4*8 Self-tapping Screw	12PCS
M6 Cage Nut	12PCS	White Plastic Washer	1PCS
B. M6*12 Screw	12PCS(6U~12U) 24PCS(15U~22U)	D. M8*12 Inner Hexagon Screw	16PCS
M6 Cage Nut	12PCS(6U~12U) 24PCS(15U~22U)	E. M8 Flange Nut	16PCS
M6 Plastic Washer	12PCS(6U~12U) 24PCS(15U~22U)	F. Casters(Optional)	4PCS(15U~22U)
		G. M6*12 Self-tapping Screw	16PCS(For Casters)
		H. Lock Kit	1PCS
		I. Expansion Screw	4PCS
		J. Ground Wire Kit	1PCS

Tools Needed

Allen Wrench(included),Phillips screwdriver and Pliers

Step 1 – Attach Bottom Panel to Front and Rear Frames

- Lay Bottom Panel (#2) on a hard surface. Be sure to protect it from scratching with cardboard or cloth.
- Insert Front and Rear Frames (#3) with large flange oriented to the inside. Be sure that the slots in the center of the frames are facing inward as shown below.
- Overlay the Horizontal Beams so that the notches interlay with the large flanges on the Front and Rear Frames. The holes for the hex nut and screw should align properly. Be sure to orient the Horizontal Beams so that the flat, cagenut surface is facing inward.
- Attach with (Bag D) M8 Hexagon Screws (8 pcs) and (Bag E) M8 Flange Nuts (8 pcs)

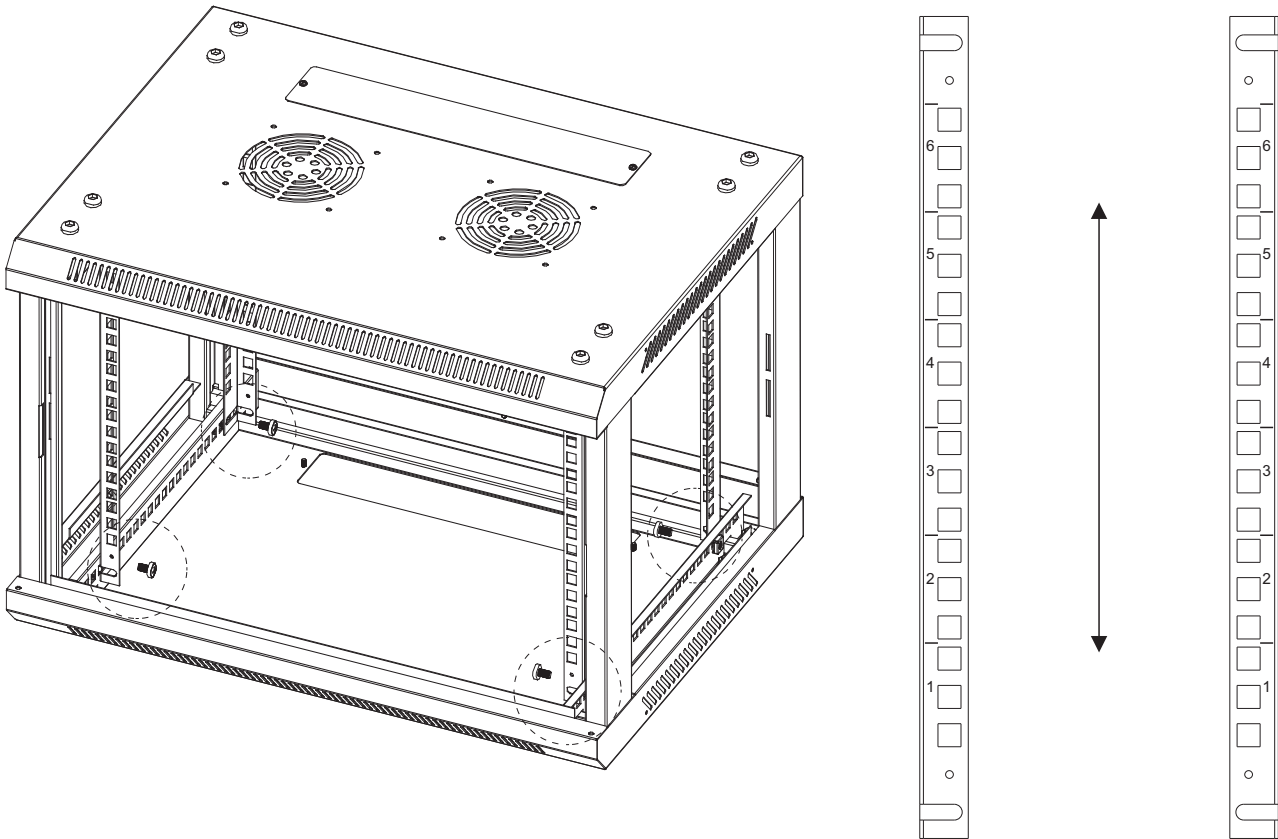


Step 2 – Attach Top Panel

- Place the Top Panel (#1) on the hard surface. Be sure to protect it from scratching with cardboard or cloth. Turn the assembly over and insert it into the top panel. Be sure that the top and bottom Panels (#1 and #2) are oriented in the same direction (front matches front, back matches back).
- Overlay the Horizontal Beams (#6) so that the notches interlay with the large flanges on the Front and Rear Frames. The holes for the hex nut and screw should align properly. Be sure to orient the Horizontal Beams so that the flat, cagenut surface is facing inward.
- Attach with (Bag D) M8 Hexagon Screws (8 pcs) and (Bag E) M8 Flange Nuts (8 pcs)

Step 3 – Install the Vertical Mounting Rails (#10)

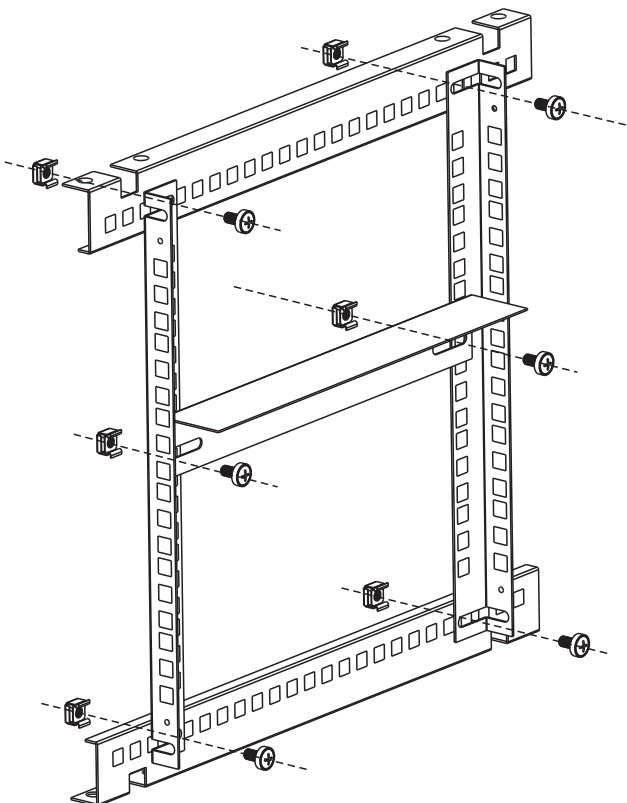
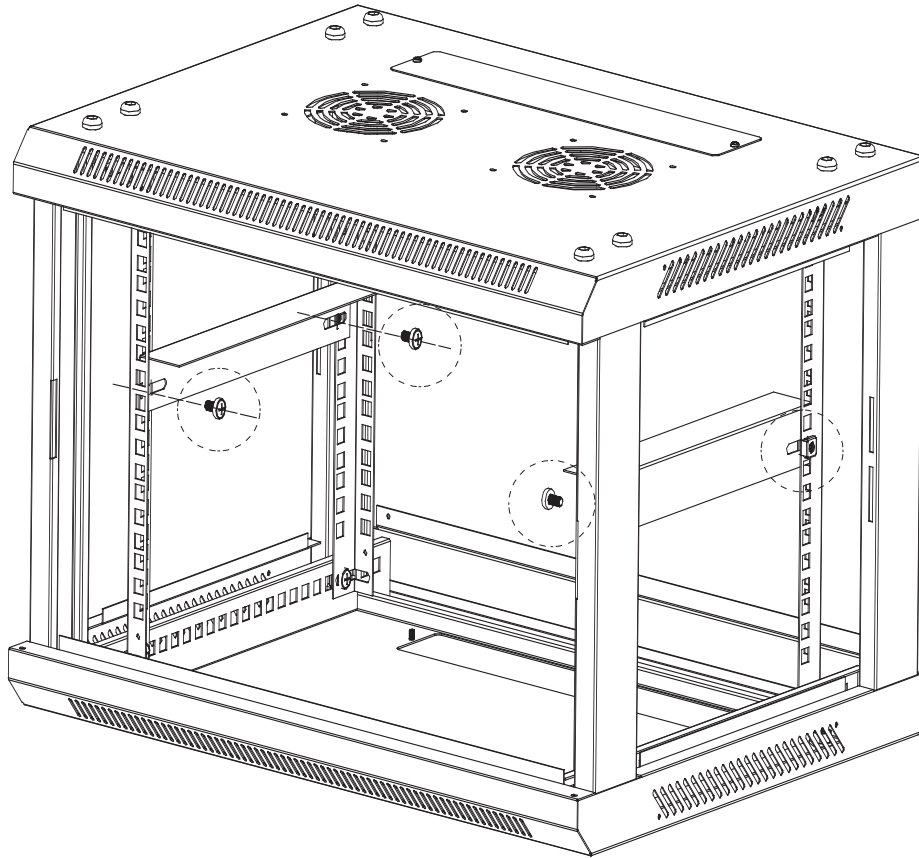
- Install the Vertical Mounting Rails (#10) to the Horizontal Beams at the desired depth using the Cage Nut Kit provided (Bag A). When determining the appropriate depth, be sure to consider the equipment that you plan to mount inside the enclosure. (This may include the provided L Brackets).



Note: Be sure that the rail depth is the same on both sides of the cabinet. Pay attention to the numerical unit markings on the rails to be sure they are right side up.

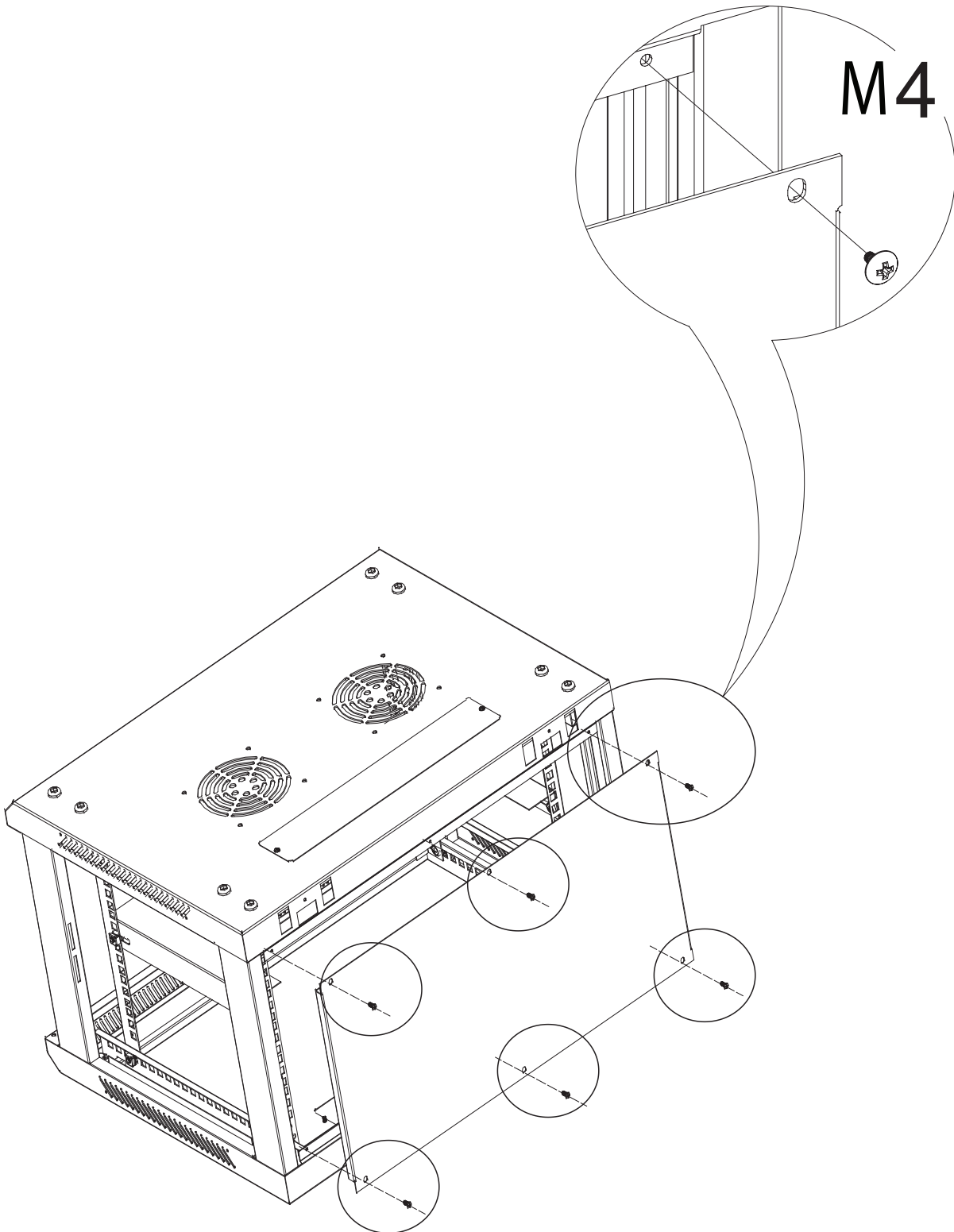
Step 4 – Install L Type Mounting Brackets (Optional)

- Mount the provided L Type Mounting Brackets (#7) to the Vertical Mounting Rails on each side of the cabinet using the cage nut kits provided (Bag A)



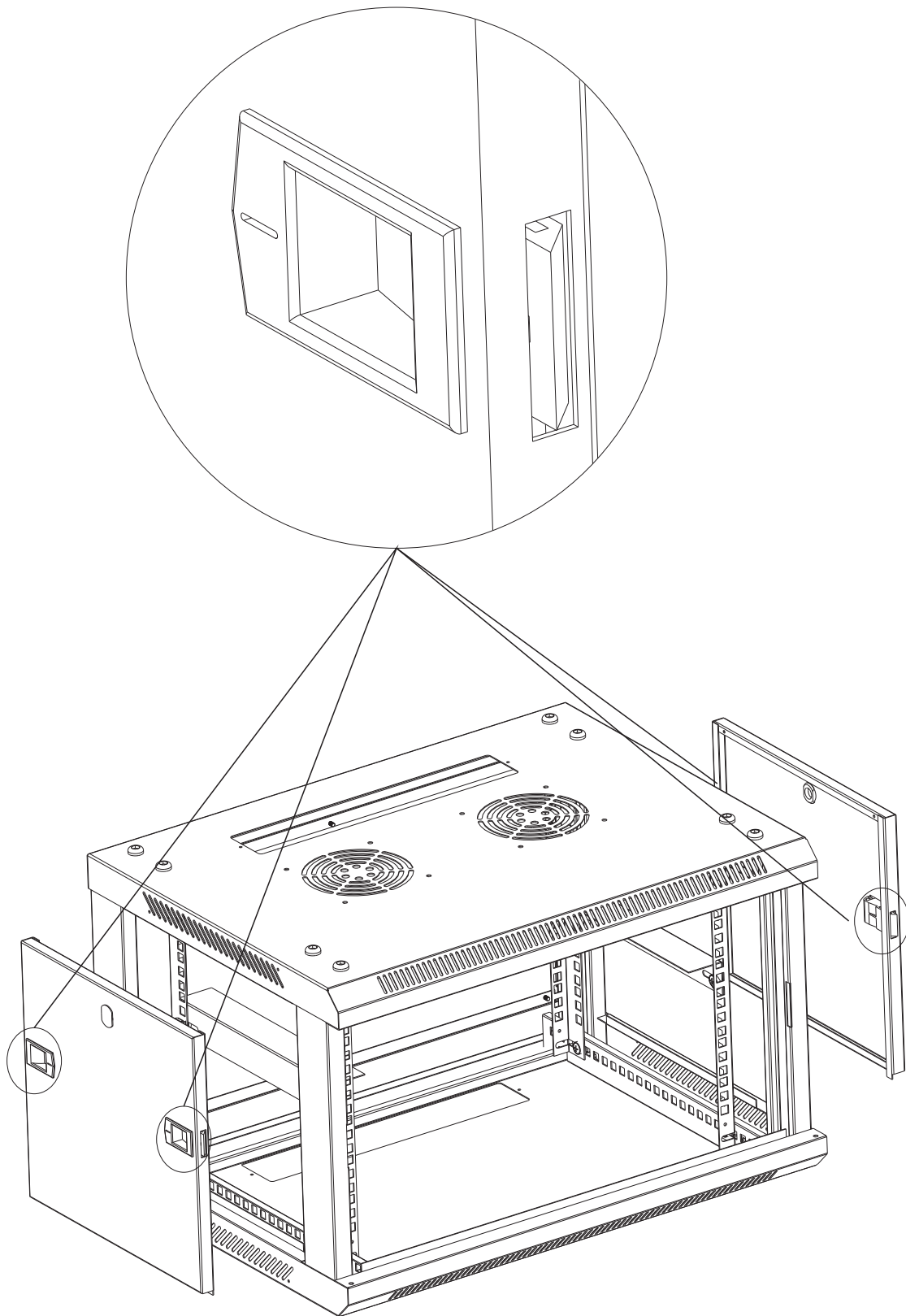
Step 5 – Attach the Back Panel

- Attach the Back Panel (#8) to the assembly using the M4 Screws (Bag C) (6 pcs) provided.



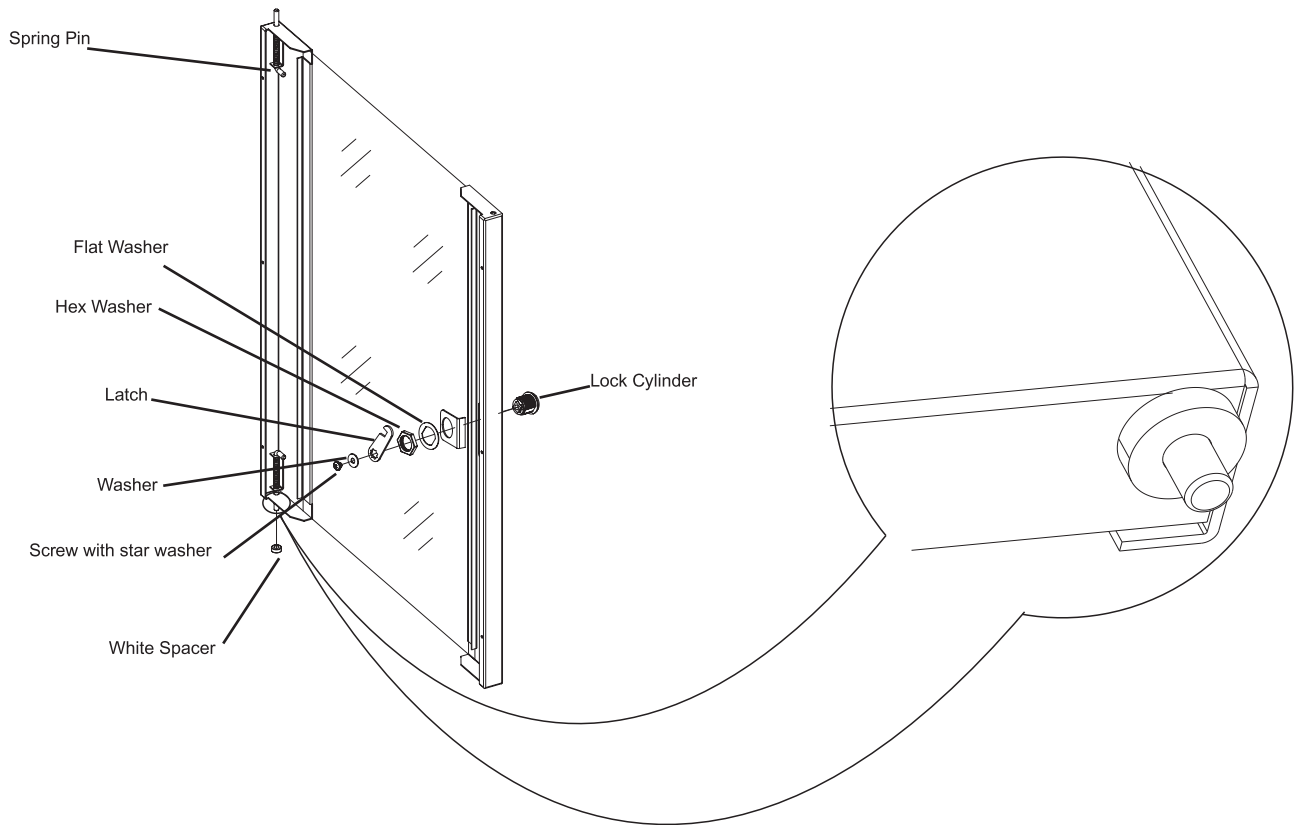
Step 6 – Side Panels

- Click the Side Panels (#5) into place using the plastic tabs on either side.

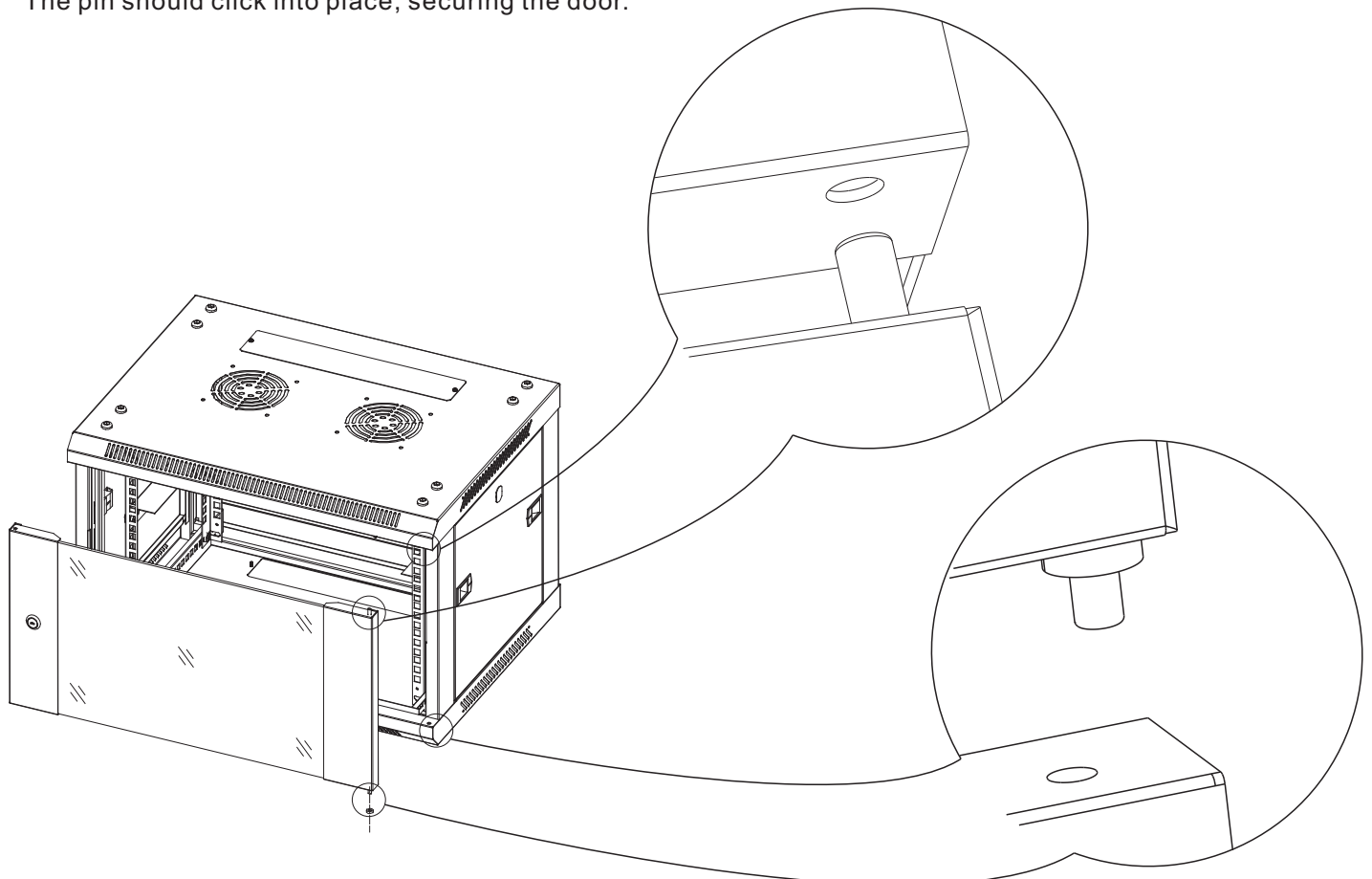


Step 7 – Assemble the front lock and attach the Door

- Assemble the front door lock as shown in the picture below:



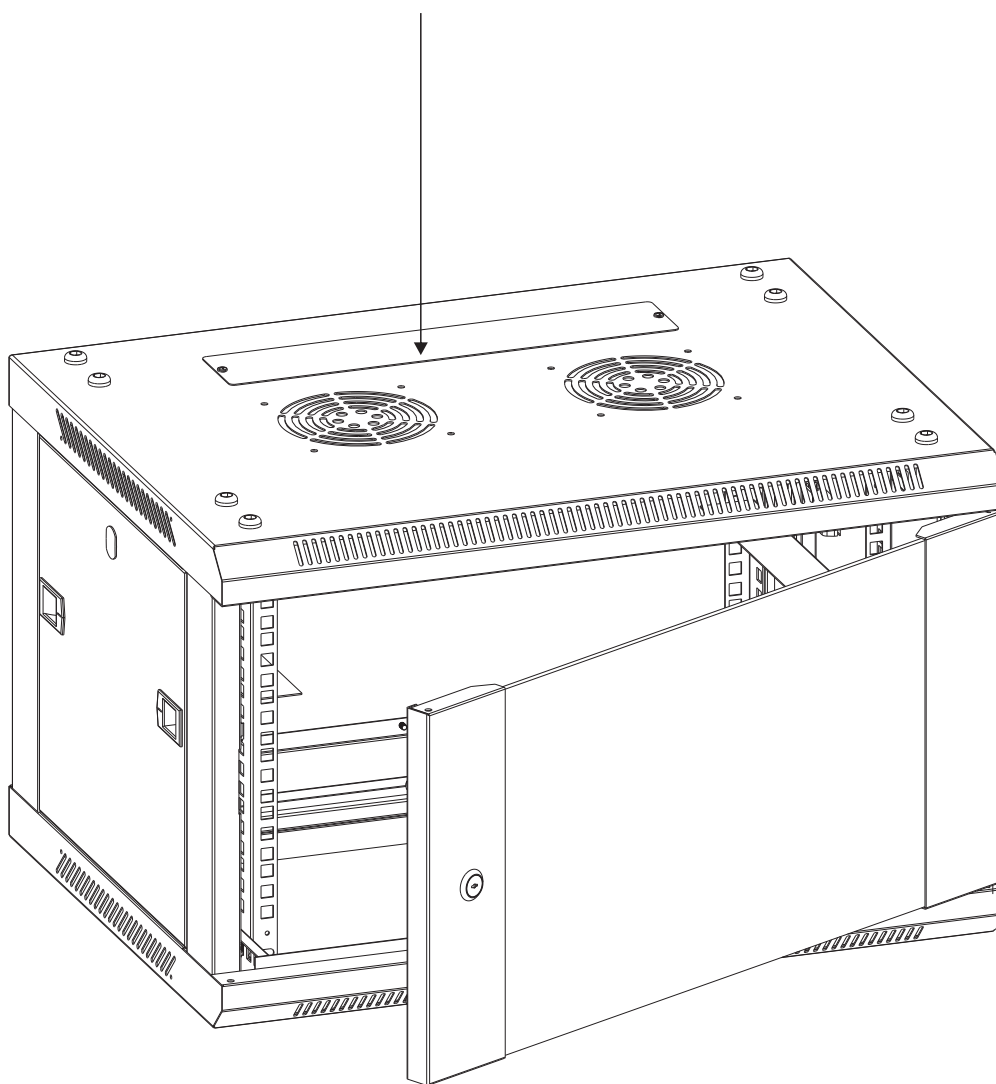
To install the Tempered Glass Door (#4), locate the side with two pins. Insert the fixed pin into door hinge hole. With your thumb, pull down on the spring pin and slide it into place over second door hinge hole and release. The pin should click into place, securing the door.



Step 8 – Install Cable Management Covers (optional)

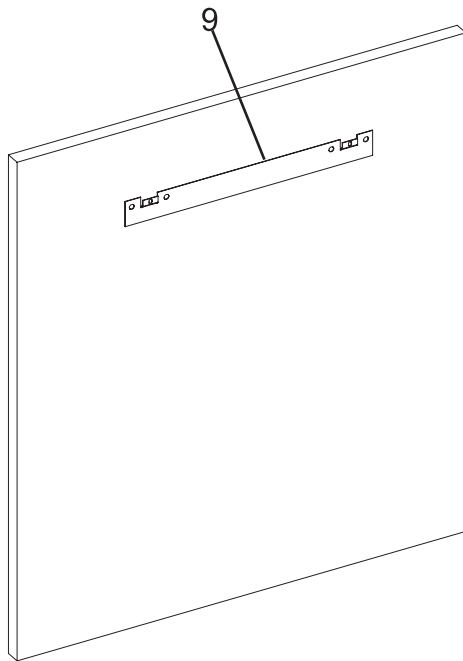
- Attach the top and Bottom Cable Management Panels using the M4 Screws (BagC 2 pcs each) provided.

Cable Management Covers

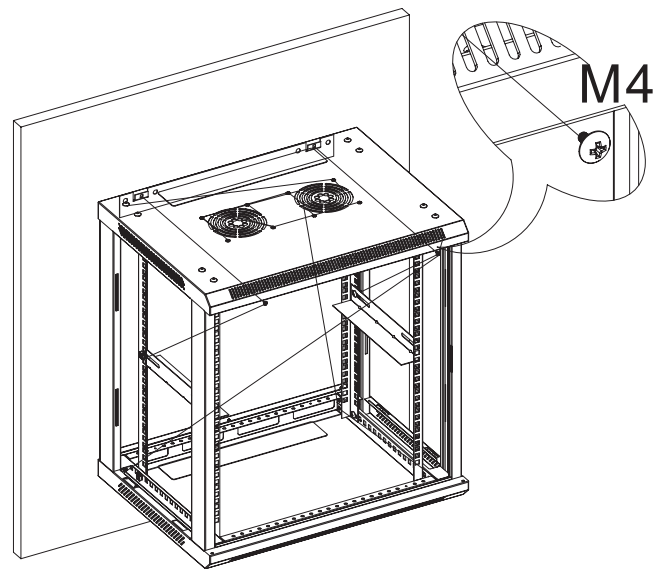


Step 9 – Mounting Bracket

Mounting Instructions



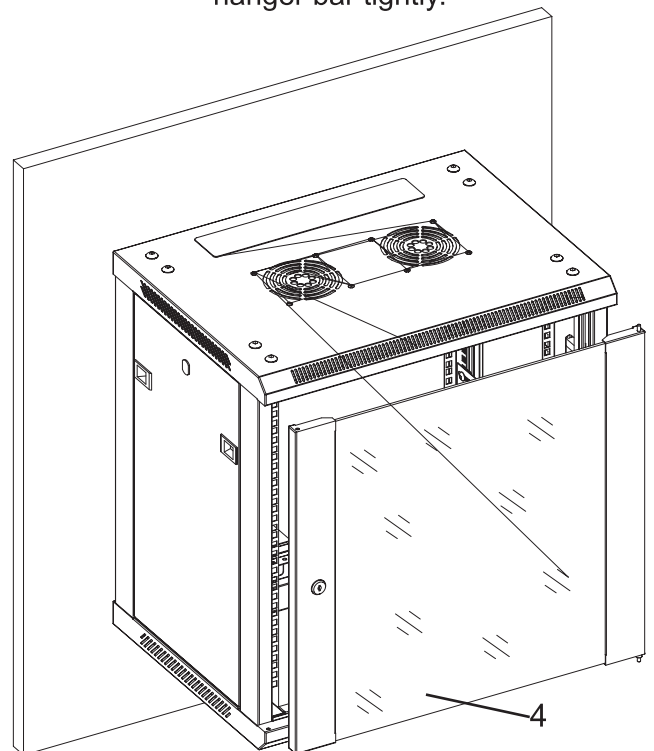
- 1** Secure Hanger Bar (9) to wall with anchors and screws (not included).



- 2** Lift the cabinet up and slide onto Hanger Bar (9) hooks. Take two M4 screws (Bag C) and secure the cabinet to the hanger bar tightly.



- 3** Click Side Panels (5) into



- 4** To install the Tempered Glass Door (4), locate the side with two pins. Insert the fixed pin into door hinge hole. With your thumb, pull down on the spring pin and slide it into place over second door hinge hole and release. The pin should click into place, securing the door.

Step 10 – Install Casters - (Optional and only compatible and included with 15, 18 and 22U versions of the Performance Series Cabinets)

- Attach Casters(Bag F) with M6 screws (Bag G) to bottom of the cabinet.

