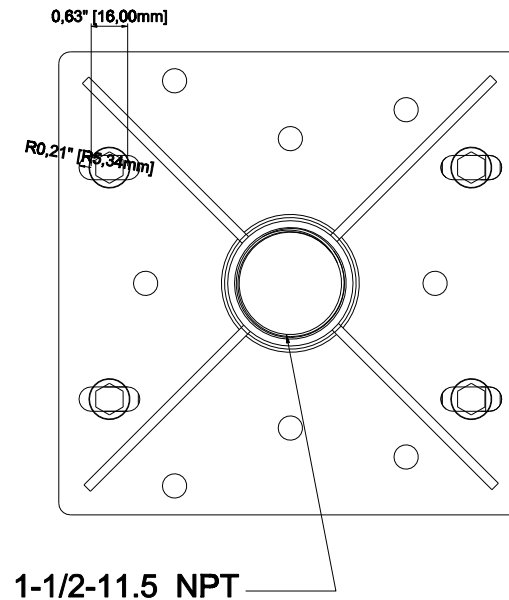
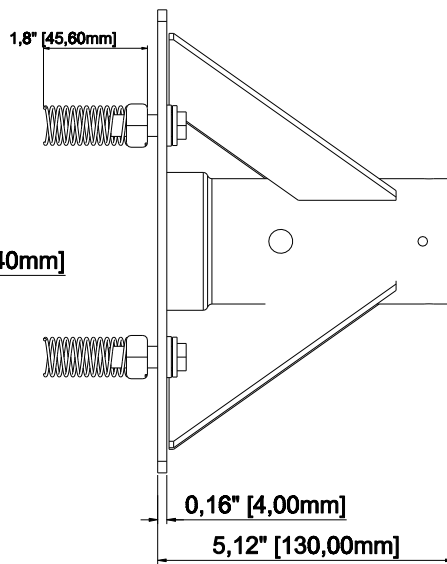
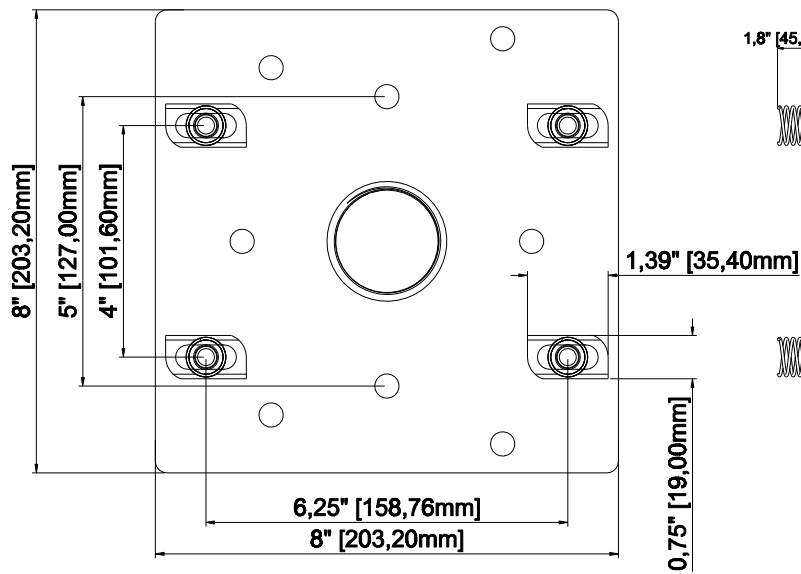
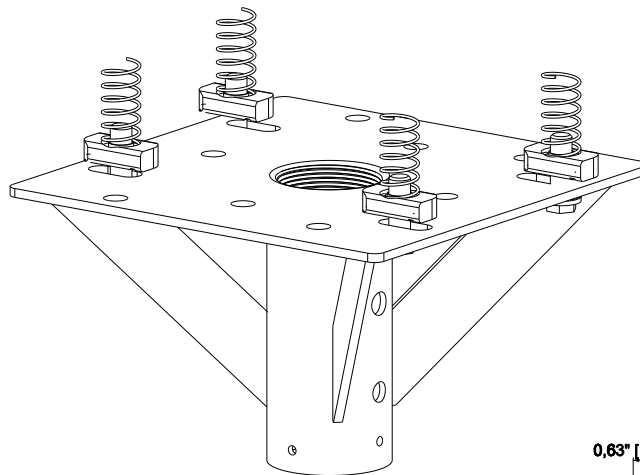


1 2 3 4 5 6 7 8

Maximum load rating: 500 lbs



THE INFORMATION CONTAINED IN THIS DRAWING IS THE SOLE PROPERTY OF CRIMSON AV LLC. ANY REPRODUCTION IN PART OR AS A WHOLE WITHOUT THE WRITTEN PERMISSION OF CRIMSON AV LLC IS PROHIBITED

CRIMSON AV LLC.

PRODUCT ORDER NUMBER: CAU8HD

PHONE: 1-866-668-6888

Crimson AV LLC.
www.crimsonav.com

TITLE: **CAU8HD**

SIZE: **B** DWG.NO. **CAU8HD**

Scale: 1:1

1 2 3 4 5 6 7 8