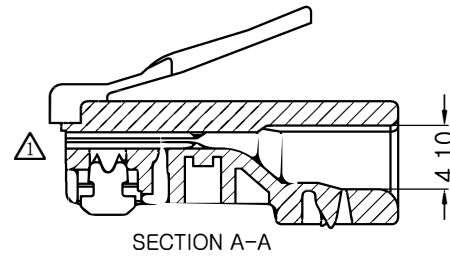
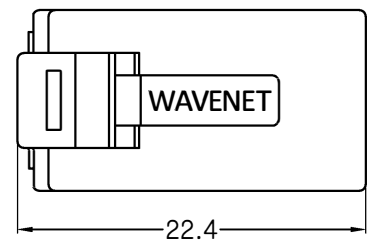
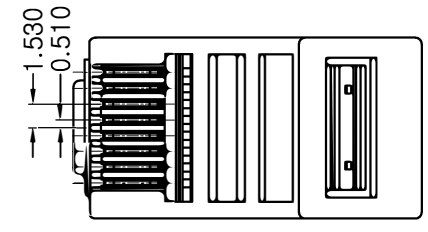
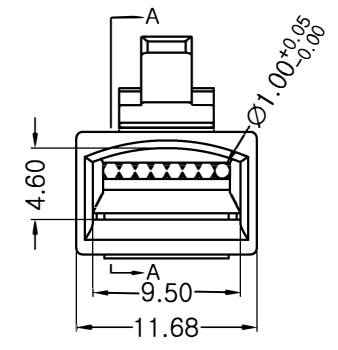
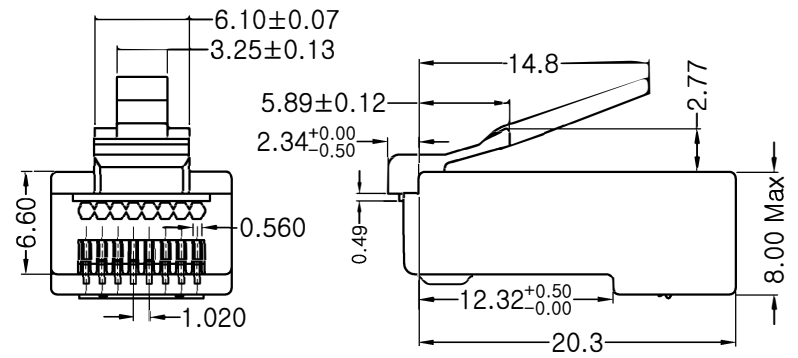


CHANGE			
EDITI	MODIFICATION	UPDATE DATE	SIGNATURE



NOTES:

1. Operation Temperature:  $-40^{\circ}\text{C} \sim +85^{\circ}\text{C}$ .
2. Electrical Characteristics:
  - 2.1>Rated Current: 125V AC, 1.5A@25°C.
  - 2.2>Contact Resistance: 20mΩ Max.
  - 2.3>Insulation Resistance: 500MΩ Min, 100V DC/min.
  - 2.4>Voltage Proof: 1000V AC/1 minute no breakdown.
3. Mechanical Characteristics:
  - 3.1>Insertion Force & Withdrawal Force: 30N Max.
  - 3.2>Durability: 750 cycles Min.
4. Environmental compliance:
  - 4.1>the products are compliant with the RoHS, and REACH etc.



PRODUCT NO	CAT5ERJ45-EZPASS	DESCRIPTION	CAT5E, RJ45-EZPASS, UTP MODULAR PLUG, PASS-THROUGH STYLE, 100PCS/JAR, RED COLOR CAP				SHEET.	1/1		
MATERIAL	UNIT	mm	SCALE	1:1	DWG NO	MP11078	EDITI	A/0		
DIMENSIONAL TOLERANCE			THIRD ANGLE PROJECTION			DRAWN	LIJING	DATE	2018. 11. 08	
X. X      ±0.2 X. XX     ±0.10 X. XXX    ±0.05 ANGLE     ±2°						CHECK		DATE		
						APPRO.		DATE		

1	Modular Plug	Contacts	8PCS	/	<input type="checkbox"/> 2Prongs <input checked="" type="checkbox"/> 3Prongs	<input type="checkbox"/> G/F" <input type="checkbox"/> 1u" <input type="checkbox"/> 3u" <input type="checkbox"/> 6u" <input type="checkbox"/> 15u" <input type="checkbox"/> 30u" <input type="checkbox"/> 50u" <input checked="" type="checkbox"/> OTHER	<input checked="" type="checkbox"/> Brass <input type="checkbox"/> Phosphor copper <input checked="" type="checkbox"/> 94V-2 <input type="checkbox"/> 94V-0
NO.	NAME	QTY	PART NO.	DESCRIPTION	MATERIAL		
1							