

1 2 3 4 5 6 7 8

Maximum load rating: 300 lbs

D

D

C

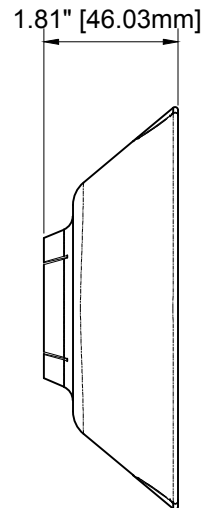
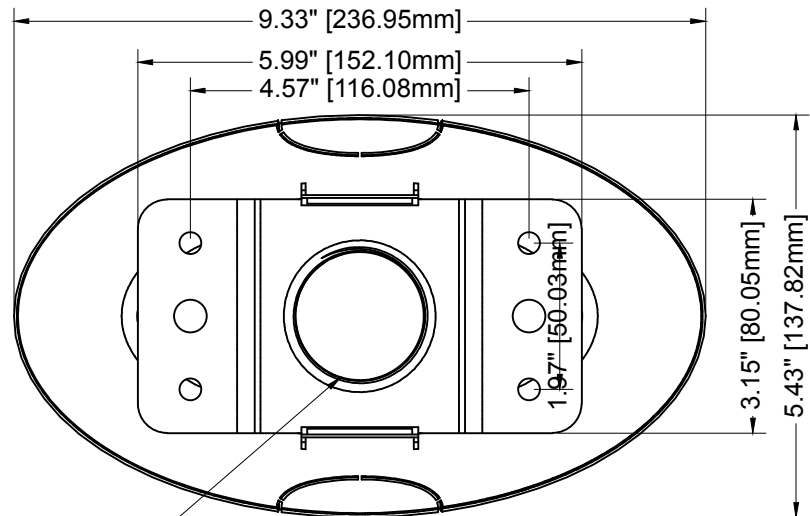
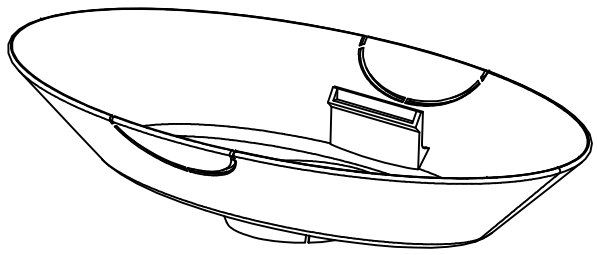
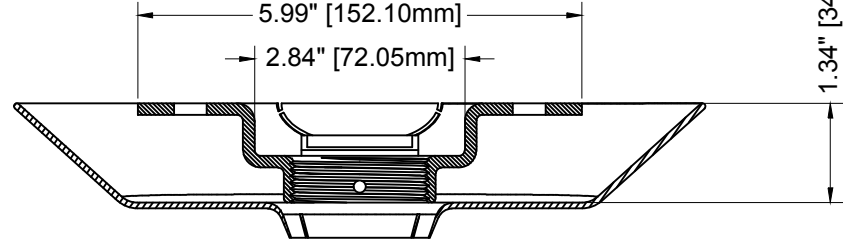
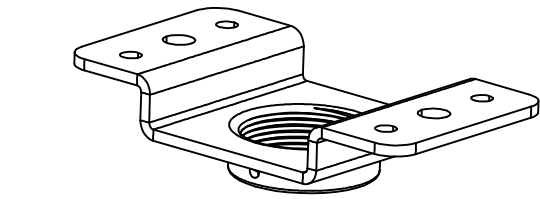
C

B

B

A

A



THE INFORMATION CONTAINED IN THIS DRAWING IS THE SOLE PROPERTY OF CRIMSON AV LLC. ANY REPRODUCTION IN PART OR AS A WHOLE WITHOUT THE WRITTEN PERMISSION OF CRIMSON AV LLC IS PROHIBITED

CRIMSON AV LLC.

PRODUCT ORDER NUMBER: CA1C  
PHONE: 1-866-665-6888

Scale=1:1

Crimson AV LLC. <a href="http://www.crimsonav.com">www.crimsonav.com</a>	
TITLE:	CA1C
SIZE DWG. No. B	CA1C

1 2 3 4 5 6 7 8