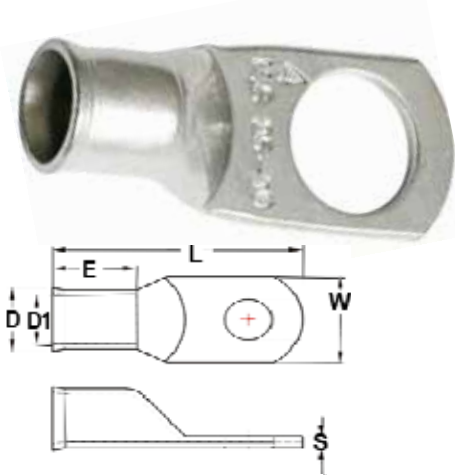


Copper Tubular Lugs



- ▶ DC Battery, Solar and AC Electrical Applications
- ▶ High Conductivity Seamless Tubular Copper
- ▶ Electro Tin Plated
- ▶ Flared Belled Barrel
- ▶ 105°C 600V
- ▶ UL & cUL Listed

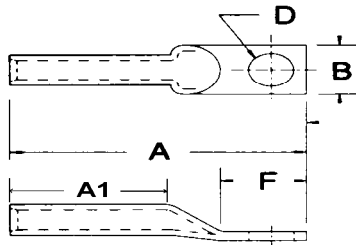
Dimensions = Inches

Cat. No.	Wire AWG	Stud Size d2	W	d1	D	L	E	S	Box Qty
92002	6	3/8	.55	.230	.307	1.33	.354	.067	25
92004	4	3/8	.55	.287	.358	1.40	.394	.071	25
92006	2	3/8	.65	.339	.433	1.71	.630	.091	25
92008	2	1/2	.75	.339	.433	1.71	.630	.091	25
92010	1/0	3/8	.75	.417	.512	1.85	.630	.098	25
92012	1/0	1/2	.75	.417	.512	1.85	.630	.098	25
92014	2/0	3/8	.83	.461	.563	2.05	.728	.102	25
92016	2/0	1/2	.83	.461	.563	2.05	.728	.102	25
92018	3/0	3/8	.91	.520	.622	2.24	.669	.110	25
92020	3/0	1/2	.91	.520	.622	2.24	.669	.110	25
92022	4/0	3/8	1.00	.559	.677	2.32	.669	.118	25
92024	4/0	1/2	1.00	.559	.677	2.32	.669	.118	25

Meter Socket Lugs



- ▶ Uses 840 common dies - One Die Installs All Sizes
- ▶ For Meter Pan and General Applications
- ▶ Accepts both Aluminum and Copper Conductors
- ▶ Made of High Conductivity Aluminum
- ▶ Connector Barrel is Coated with Oxide Inhibiting Compound
- ▶ Tin Plated
- ▶ Marked with Conductor Sizes and Die References
- ▶ Meets or Exceeds Class A requirements of ANSI C119.4



Dimensions = Inches

Cat. No.	Wire Size—Aluminum or Copper Wire Size				Stud Size D	A	A1	B	F
	Concentric	Compressed	Compact	Solid					
93902	6	6	6	-	3/8	3 1/4	1 3/8	1 15/16	1 5/16
93904	4	4	4	-	3/8	3 1/4	1 3/8	1 15/16	1 5/16
93906	2	2	2 & 1	1	3/8	3 1/4	1 3/8	1 15/16	1 5/16
93910	1/0	1/0	2/0	2/0	3/8	3 1/4	1 3/8	1 15/16	1 5/16
93912	2/0	2/0	3/0	3/0	3/8	3 1/4	1 3/8	1 15/16	1 5/16
93914	2/0	2/0	3/0	3/0	1/2	3 1/4	1 3/8	1 15/16	1 5/16
93916	3/0	3/0	4/0	-	3/8	3 1/4	1 3/8	1 15/16	1 5/16
93920	4/0	4/0	250	-	3/8	3 1/4	1 3/8	1 15/16	1 5/16
93922	4/0	4/0	250	-	1/2	3 1/4	1 3/8	1 15/16	1 5/16