



**Catalog Number** See Table  
**UPC Number**  
**Description** One Conductor One Hole  
 Copper Mechanical Lug  
 Offset Tang

**Features**

- Manufactured from High Strength High Conductivity Copper Alloy
- Rated For Copper Conductors
- One Conductor One Hole Configuration
- Offset Tang

**General**

**Material:** Extruded Copper Alloy  
**Screw Type:** Steel Plated Hex Head  
**Wire Range:** #14 - 1000 MCM

**Dimension Information**

See Table

**Specifications**

**Temperature Rating:** 90° C  
**Voltage Rating:** 600  
**Flammability Rating:** N/A  
**Amp Rating:** To Conductor

**Packaging**

**Box Qty:** See Table

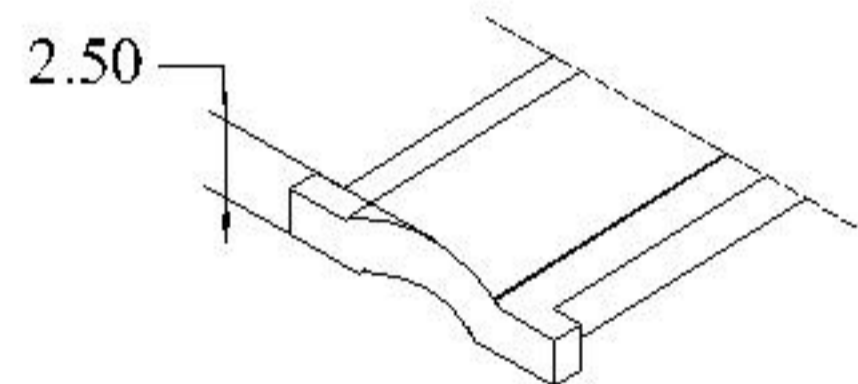
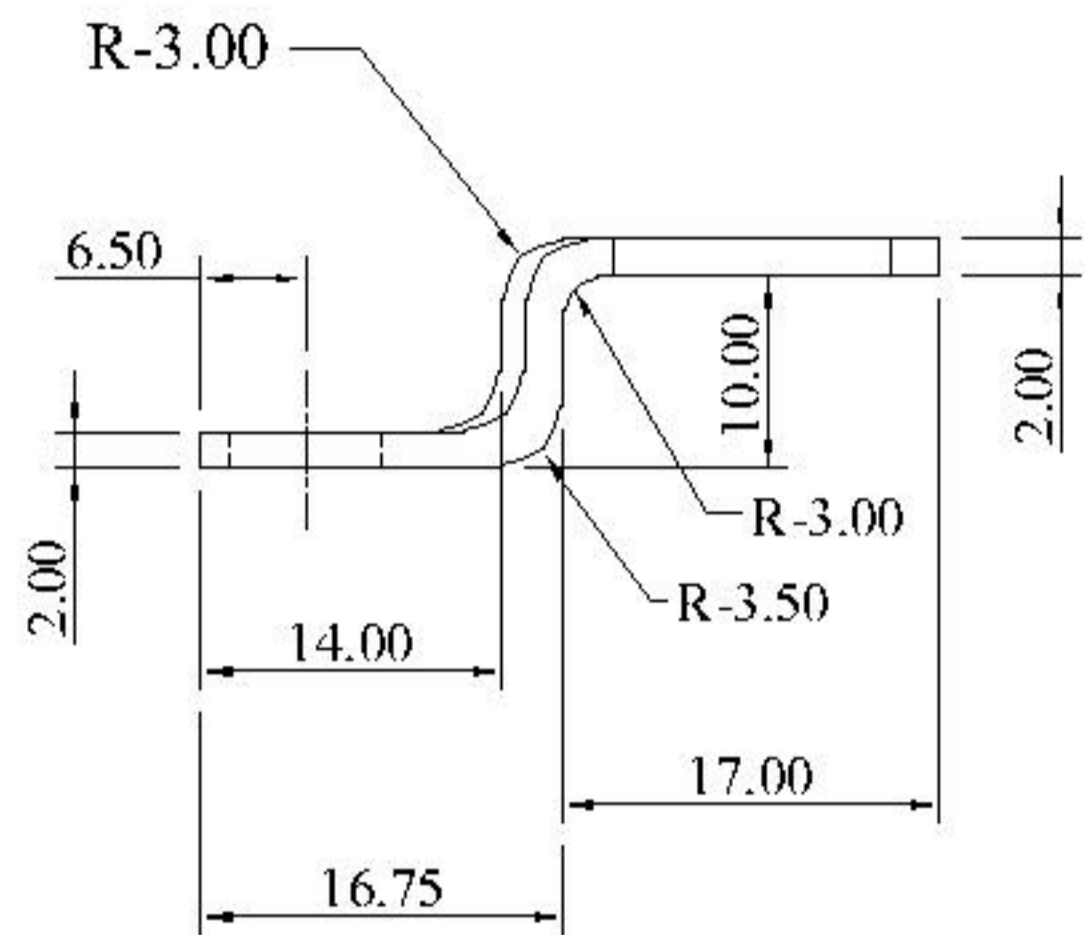
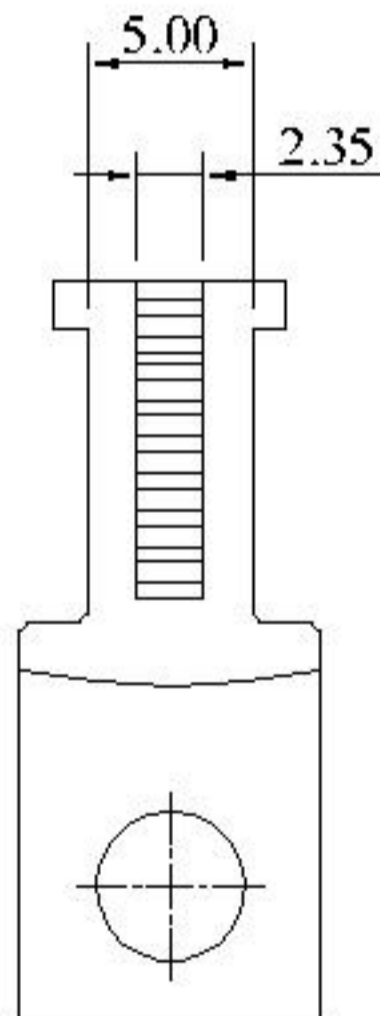
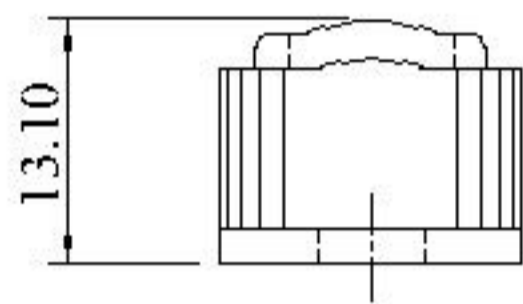
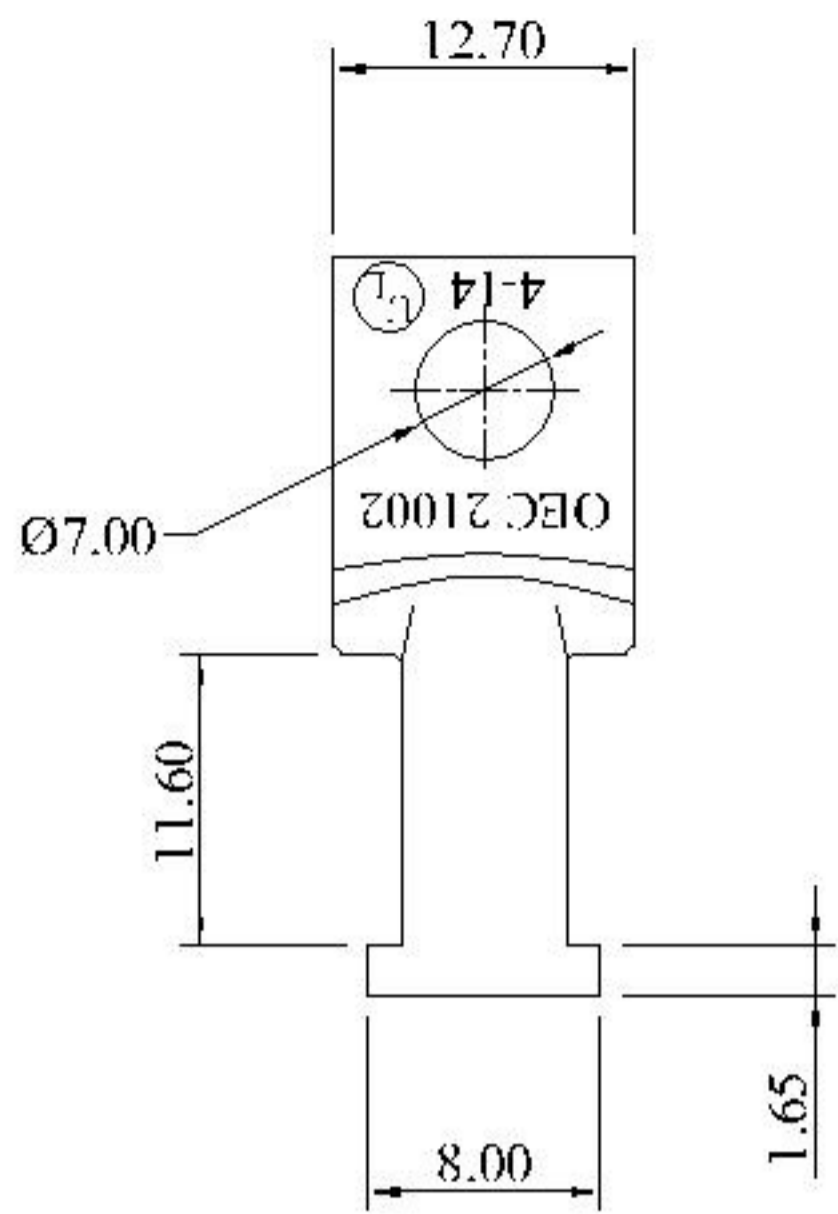
**Certifications**

**UL** UL 486A  
**CSA** Yes  
**RoHS** Yes

Cat. No.	Rating	Wire Range	L	W	H	Bolt	Box Qty	Each
90514	35A	6-14	1.19	0.38	0.75	0.2	100	
90515	70A	4-14	1.31	0.5	0.81	0.27	100	
90516	90A	2-8	1.22	0.5	1	0.27	50	
90518	125A	1/0 - 2	1.97	0.63	1.34	0.27	50	
90520	175A	3/0 - 4	2.19	0.75	1.56	0.41	25	
90522	225A	4/0 - 2	2.63	1	1.81	0.41	25	
90524	300A	350MCM - 1/0	3.19	1	2.63	0.41	18	
90526	400A	500MCM - 4/0	4.25	1.5	2.75	0.41	3	
90528	650A	1000MCM - 600MCM	4.63	2	3.69	0.53	1	

[www.morrisproducts.com](http://www.morrisproducts.com)

Morris Products Inc. 53 Carey Rd. Queensbury NY 12804



**Ammedment No :1**                      **Date : 30/05/2004**

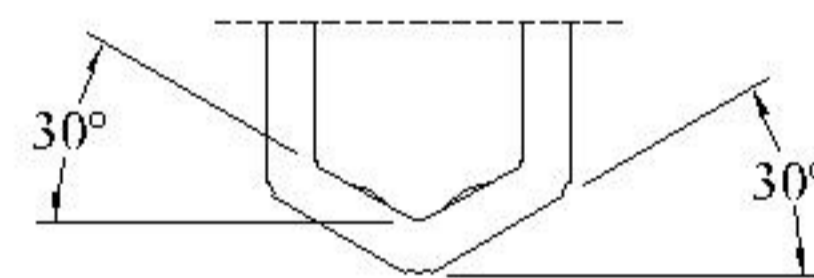
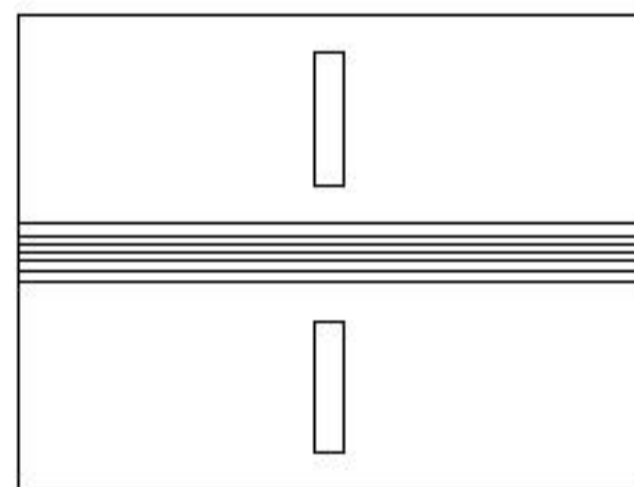
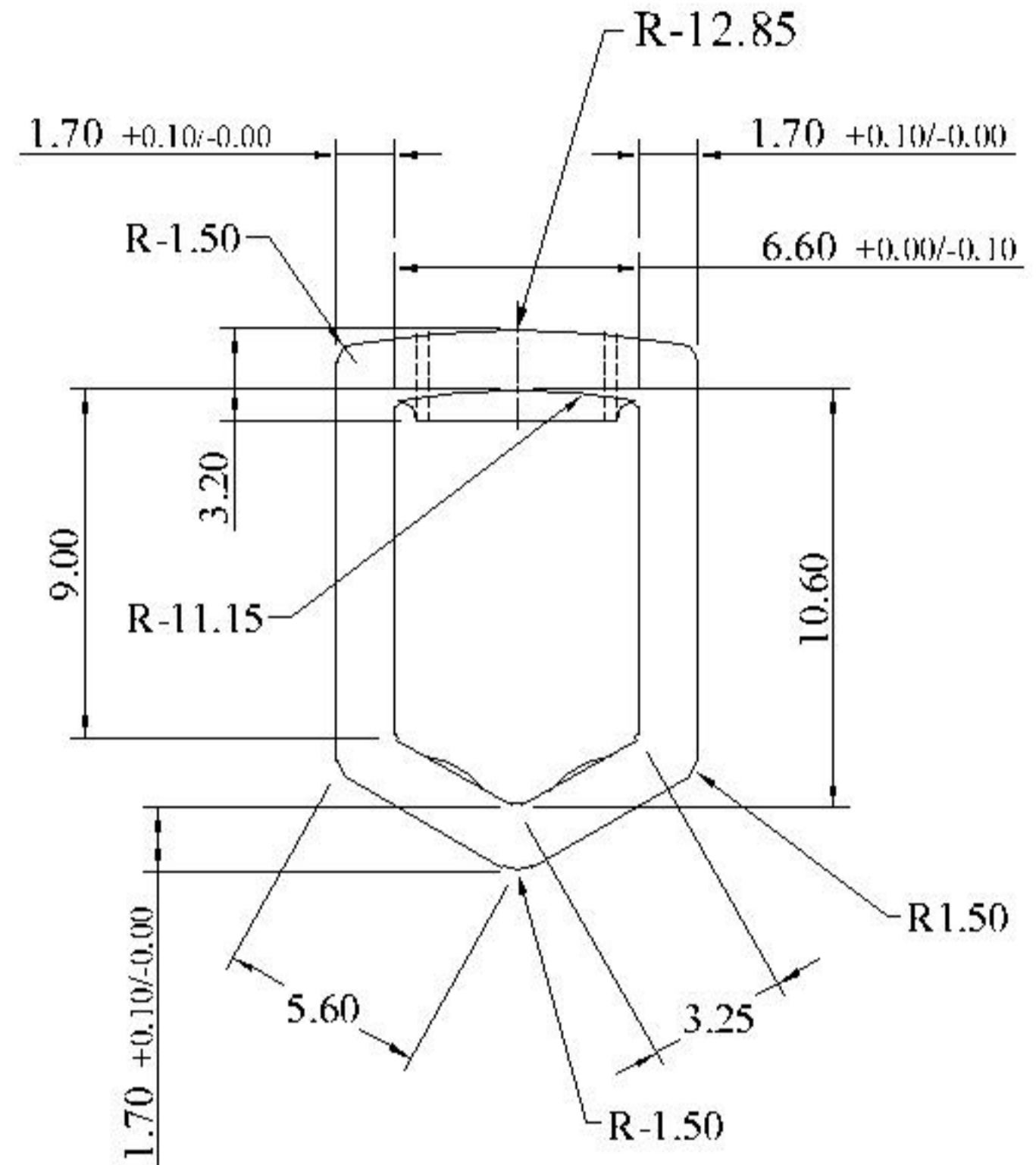
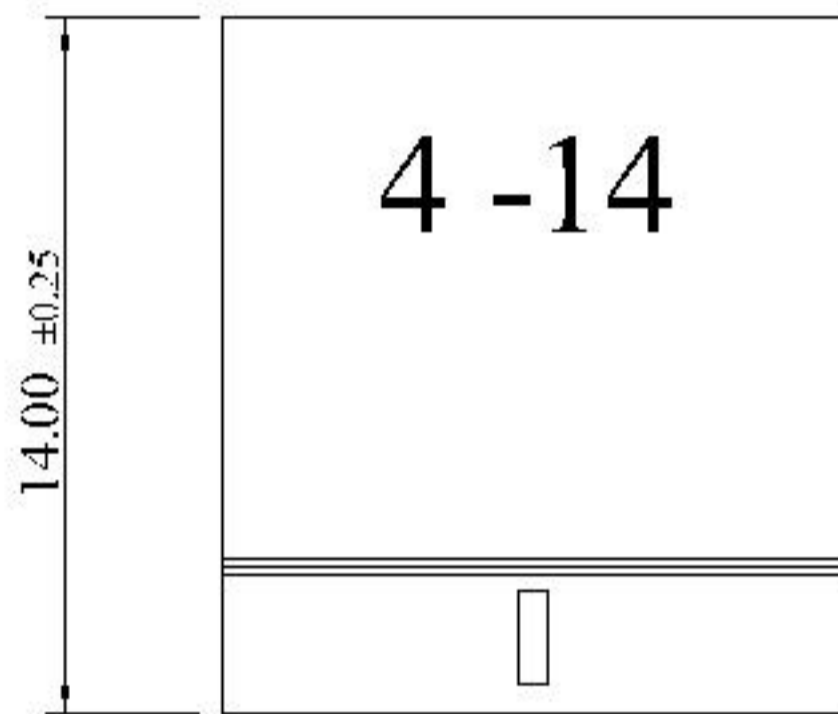
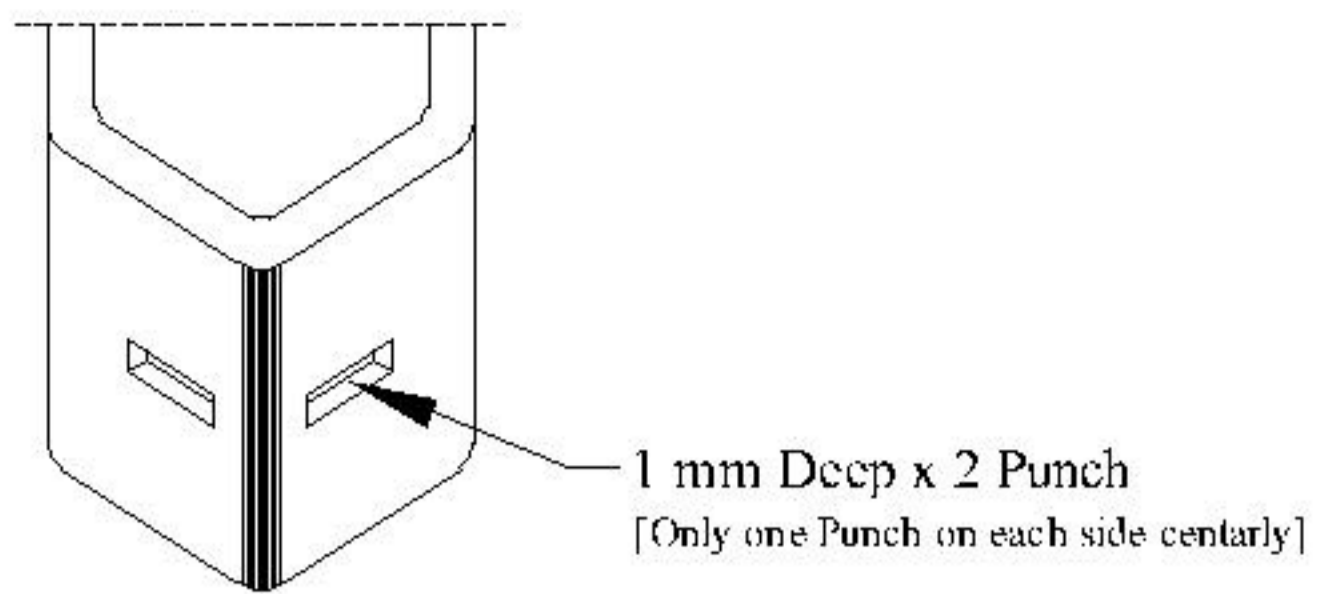
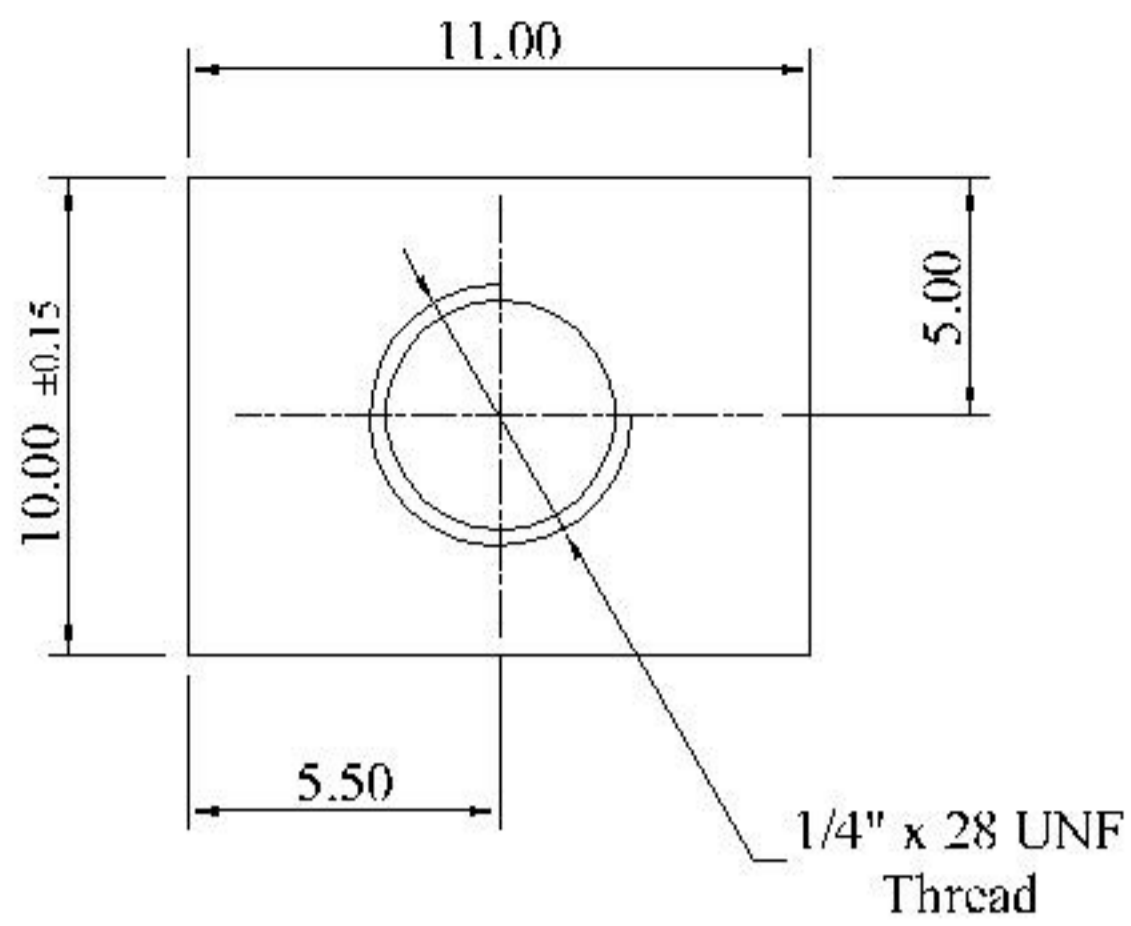


Morris Products Inc.  
53 Carey Rd. Queensbury NY 12804

	NAME	DATE
DRAWN	<i>(Signature)</i>	17/07/2003
CHECKED	V.G.Patel	17/07/2003
APPROVED	V.G.Patel	17/07/2003
MATERIAL-	<b>Copper</b>	
TOLERANCE-	<b>±0.50</b>	

TITEL- **Pad for Copper Offset Tongue Lugs**                      **[4-14]**  
SCALE- **N.T.S.**      TREATMENT-                      All dimensions arc in mm

Drawing No.-                      90515-C



Both side same Degrees

Ammedment No.-1

Date : 30/05/2004



Morris Products Inc.

53 Carey Rd. Queensbury NY 12804

	NAME	DATE
DRAWN	<i>(Signature)</i>	17/07/2003
CHECKED	V.G.Patel	17/07/2003
APPROVED	V.G.Patel	17/07/2003
MATERIAL-	<b>Copper</b>	
TOLERANCE-	<b>±0.50</b>	

TITEL- **Clamp for Copper Offset Tongue Lugs**

**[4-14]**

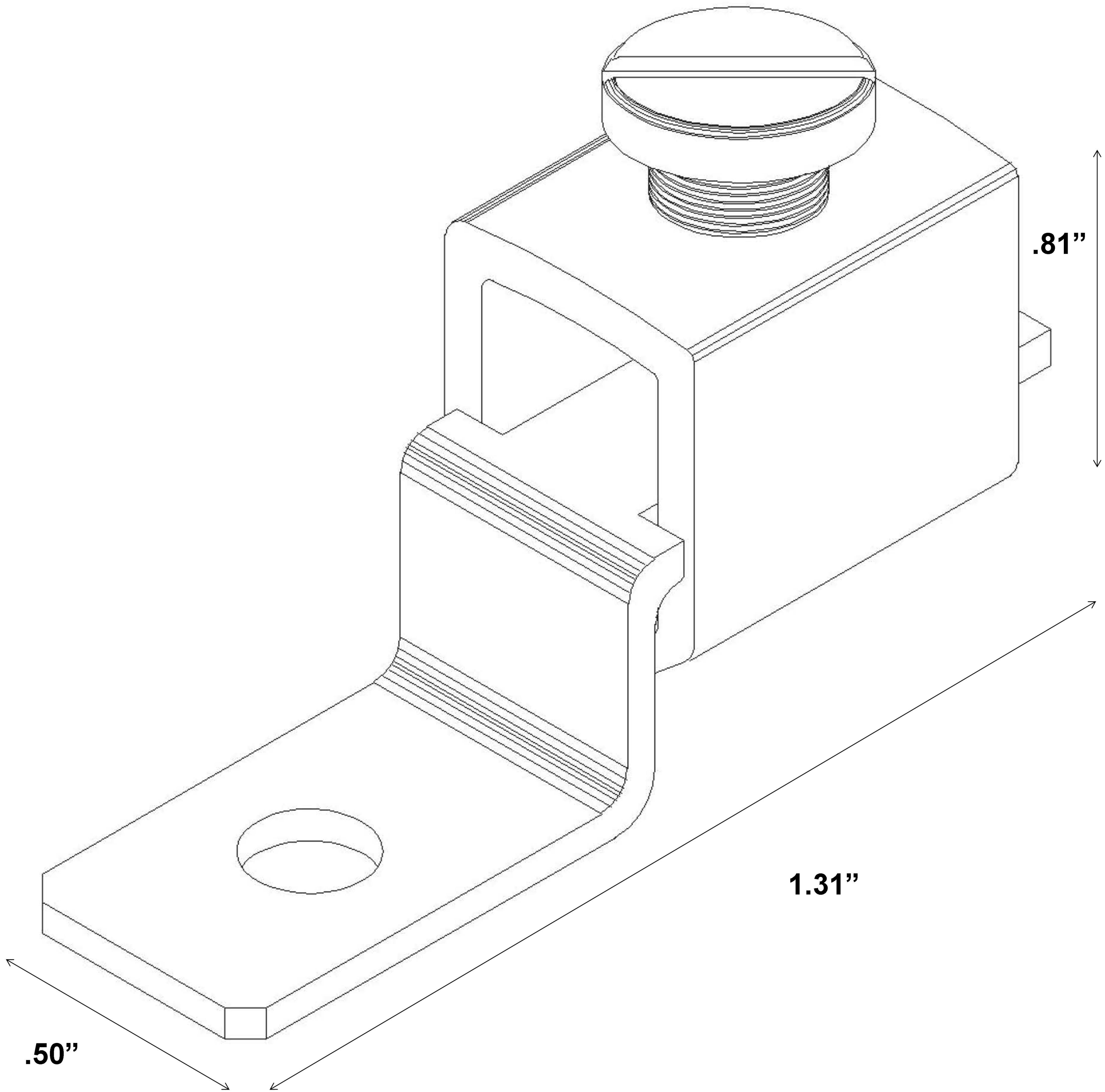
SCALE- **N.T.S.**

TREATMENT-

All dimensions are in mm

Drawing No.- 90515-B





Morris Products Inc.

53 Carey Rd. Queensbury NY 12804

	NAME	DATE
DRAWN	<i>R.S. Gada</i>	16/07/2003
CHECKED	R.S.Gada	16/07/2003
APPROVED	R.S.Gada	16/07/2003
MATERIAL-	-----	
TOLERANCE-	-----	

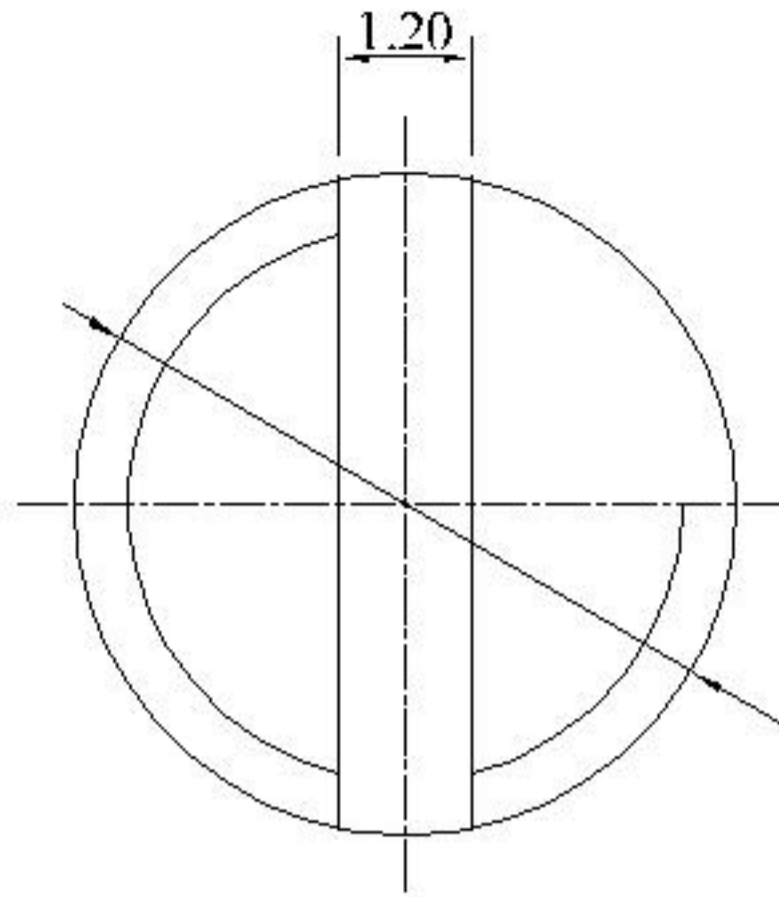
TITEL- **Assembled View of Copper Offset Tongue Lugs** 4-14

SCALE- **N.T.S.**

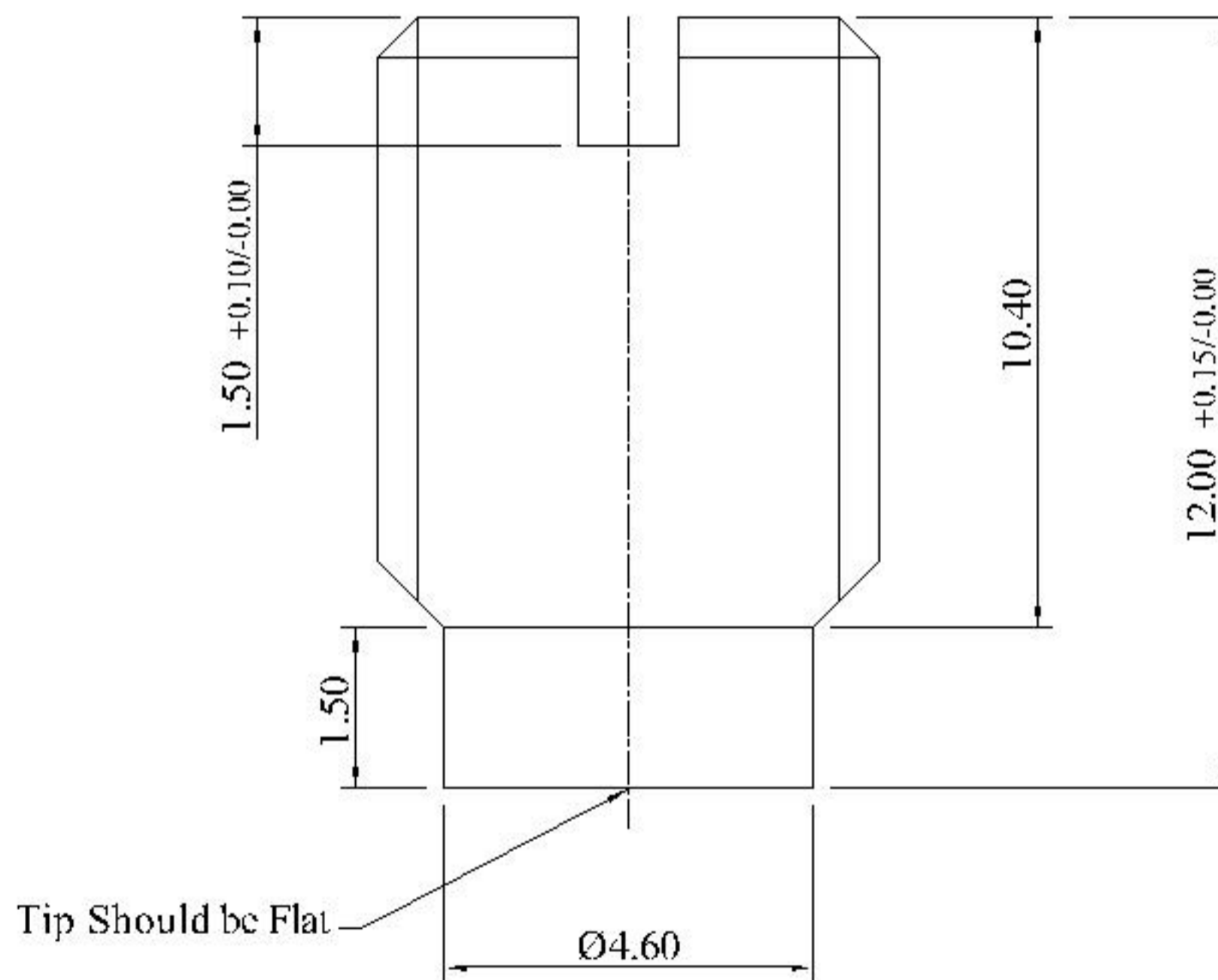
TREATMENT-

All dimensions arc in mm

Drawing No.- 90515



1/4" x 28 UNF - 2a Thread  
 Major Dia.-6.16 to 6.32  
 Minor Dia.-5.21  
 Pitch Dia.-5.65 to 5.73



Ammedment No.-1      Date: 17/11/2003  
 Ammedment No.-2      Date: 30/05/2004



Morris Products Inc.

53 Carey Rd.    Queensbury NY    12804

	NAME	DATE
DRAWN	<i>(Signature)</i>	17/07/2003
CHECKED	R.S.Gada	17/07/2003
APPROVED	R.S.Gada	17/07/2003
MATERIAL-	<b>EN8, 8.8 Temper</b>	
TOLERANCE-	<b>±0.50</b>	

TITEL-      **Screw for Copper Offset Tongue Lugs**      **[4-14]**

SCALE- **N.T.S.**    FINISH-**Yellow Zinc Passivated**    All dimensions are in mm

Drawing No.-    90515-D