



Catalog Number 35028
UPC Number 60198635028
Description Service Entrance Cable Strap
#6 SER & 1/2" EMT



Features

- Heavy Duty Polyethelene
- UV Resistant
- 2 Electro Zinc Plated Mounting Nails
- Accomodates #6 SER & 1/2" EMT

General

Material: Polyethelene

Dimension Information

See Drawing

Specifications

Flammability Rating: UL 94V-2
Temperature Rating: 130°C

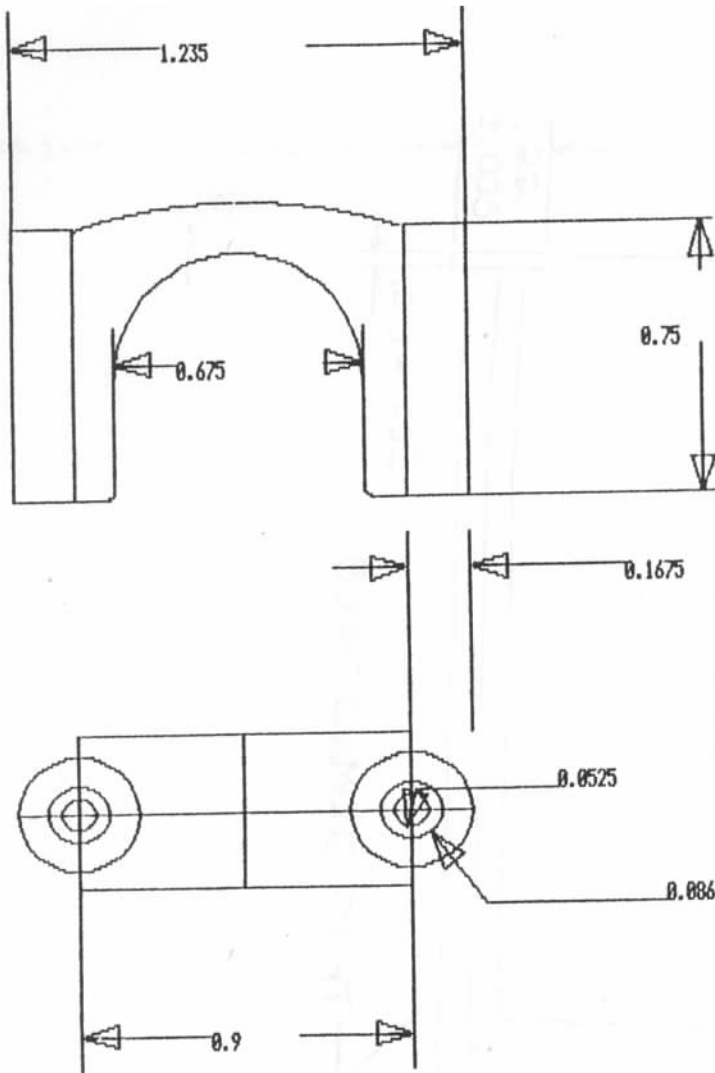
Packaging

Bag Qty 50

Certifications

UL Yes
CSA Yes
ROHS

4100
4200
4400



5 degree bow on legs allowed.

Part# 35028		
The Following Tolerances Apply Unless otherwise Specified 3 Decimals + or - .020 2 Decimals + or - .030		
#6 SER Service Entrance Straps		
Drawn by:	Drawing no. 4100	Rev. Level



Morris Products Inc. Queensbury NY