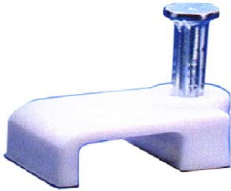




Catalog Number See Table
UPC Number
Description Nail-On Cable Clip
 Small Wire Applications



Features

- High-grade Injection-Molded Polyethylene
- Hardened Steel Nail
- Rectangular Shaped Saddle
- Recessed Nail Head
- Wood, Cement, Plaster, Brick Applications

Material: Polyethylene
Flammability: UL 94V-2

Dimension Information

Length: See Table
Width: See Table

Specifications

Temperature Rating: N/A
Voltage Rating: N/A
Flammability Rating: UL 94V-2

Packaging

Bag Qty 10

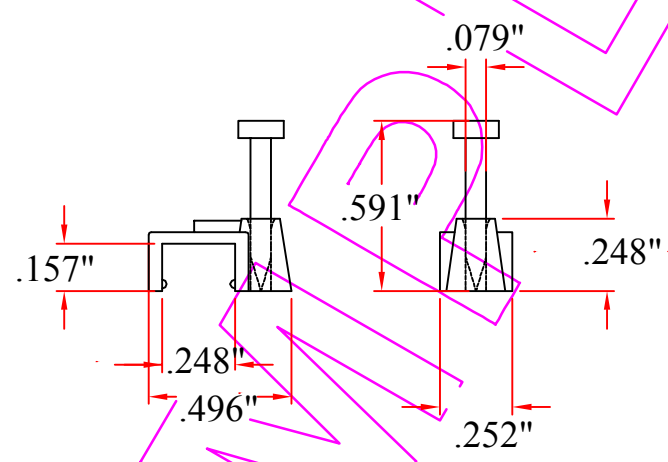
Certifications

UL
 CSA
 ROHS

Cat No.	For Wire Sizes	Color	(inside)	Bag Qty	Master Bag
35000	2 Nail 12/2 & 14/2 Romex & UF (1/2" wide)	White	.49 x .31 x .21	100	1000
35014	Small cords such as lamp, thermostat, speaker & phone	White	.24 x .25 x .15	100	1000

1 • 2 • 3 • 4 •

A
B
C
D
E
F



SAMPLE

Morris Products Queensbury NY		MATERIAL P.E.	ITEM NO. 35014
SCALE		 Natural	NAME
△	(•••)	TOLERANCE ±0.5mm	△ 05-15-2007 DATE REVISIONS K001
			R.NO.