



**Catalog Number** See Table  
**UPC Number**  
**Description** Nail-On Cable Clip  
 Romex, Coax, CAT 5, RJ 11



**Features**

- High-grade Injection-Molded Polyethylene
- Hardened Steel Nail
- Rectangular Shaped Saddle
- Recessed Nail Head
- Wood, Cement, Plaster, Brick Applications

**Material:** Polyethylene  
**Flammability:** UL 94V-2

**Dimension Information**

**Length:** See Table  
**Width:** See Table

**Specifications**

**Temperature Rating:** N/A  
**Voltage Rating:** N/A  
**Flammability Rating:** UL 94V-2

**Packaging**

**Bag Qty** 100

**Certifications**

UL  
 CSA  
 ROHS

Cat No.	For Wire Sizes	Color	(inside)	Bag Qty	Master Bag
35004	14/3 Romex	Gray	.31 x .51 x .32	100	1000
35006	10/3 & 12/3 Romex	Gray	.43 x .65 x .48	100	1000
35008	RG 59 Coax Cable, CAT 5	Gray	.24 x .35 x .26	100	1000
35010	RG 6 Coax Cable	Gray	.28 x .43 x .30	100	1000
35012	4 Conductor Telephone Wire	Gray	.14 x .23 x .15	100	1000

1 . 2 . 3 . 4 .

A

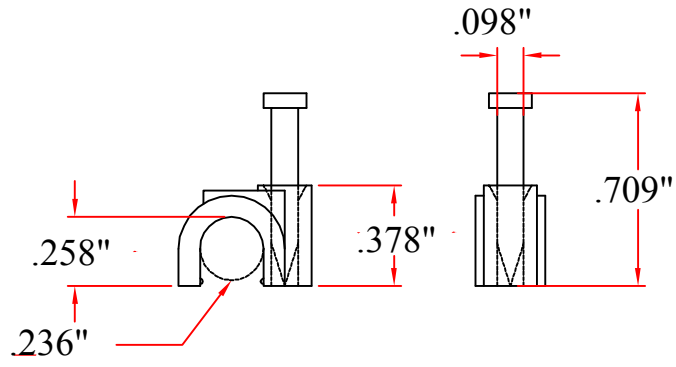
B

C

D

E

F



MATERIAL  
P.E.

ITEM NO. 35008

SCALE

11 Natural

NAME  
CABLE CLIP



Morris Products  
Queensbury NY

12-09-2008  
DATE

REVISIONS K001

R.N.O.