



Catalog Number See Table
UPC Number
Description Nail-On Cable Clip
 Romex, Coax, CAT 5, RJ 11



Features

- High-grade Injection-Molded Polyethylene
- Hardened Steel Nail
- Rectangular Shaped Saddle
- Recessed Nail Head
- Wood, Cement, Plaster, Brick Applications

Material: Polyethylene
Flammability: UL 94V-2

Dimension Information

Length: See Table
Width: See Table

Specifications

Temperature Rating: N/A
Voltage Rating: N/A
Flammability Rating: UL 94V-2

Packaging

Bag Qty 100

Certifications

UL
 CSA
 ROHS

Cat No.	For Wire Sizes	Color	(inside)	Bag Qty	Master Bag
35004	14/3 Romex	Gray	.31 x .51 x .32	100	1000
35006	10/3 & 12/3 Romex	Gray	.43 x .65 x .48	100	1000
35008	RG 59 Coax Cable, CAT 5	Gray	.24 x .35 x .26	100	1000
35010	RG 6 Coax Cable	Gray	.28 x .43 x .30	100	1000
35012	4 Conductor Telephone Wire	Gray	.14 x .23 x .15	100	1000

1 • 2 • 3 • 4 •

A

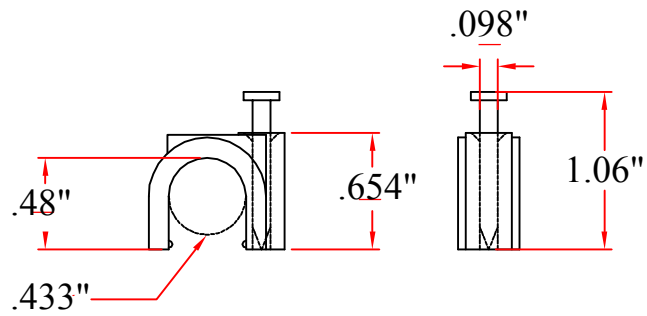
B

C

D

E

F



Morris Products
Queensbury NY

MATERIAL
P.E.

ITEM NO.
35006

SCALE

FINISH
Natural

NAME
NAIL CABLE CLIP

△ (••)

△ 12-09-2008
DATE

REVISIONS
K001

R.NO.