

V-MAX CAT6A SCREENED KEYSTONE MODULE



SKU: 303-J2637/C6AS

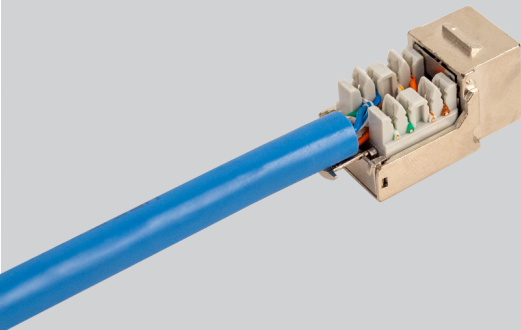
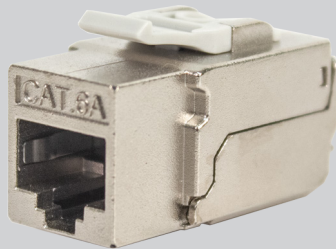
Length	Width	Height
1.46" (37 mm)	0.71" (18 mm)	0.83" (21 mm)

DESCRIPTION

V-Max CAT6A Screened Keystone Module, 90-Degree Style.

FEATURES

- Meets and exceeds ANSI/TIA/568.2-D and ISO/IEC 11801 specifications, ETL-Verified.
- "360-degree" EMI blocking screen construction.
- 110 IDC connecting block.
- Compatible with Vertical Cable's I-Punch multi-conductor termination tool (078-2155/S).



Specifications	
Transmission Performance	Meets or exceeds ANSI/TIA-568.2-D and ISO/IEC 11801 specifications
Wiring Scheme	T568A/T568B
Conductor Compatibility	23 AWG - 26 AWG solid or stranded copper conductors
Cable Compatibility	0.20 in - 0.35 in (5 mm - 9 mm) cable OD.
Termination	Vertical Cable's I-Punch multiconductor termination tool (078-2155/S); 110-style one-conductor termination tool
Housing	Ni-plated die-cast Zinc alloy
Socket Base	Glass-fiber reinforced polybutylene terephthalate (PBT), UL 94-V0
Socket Contacts	Ni-plated phosphor bronze; 50-µin of gold plating in contact area
Plug Retaining Clip	Stainless steel
Connecting Block	
Layout	45° paired IDCs
Housing	PC UL 94V-2
IDC	110-style, tin-plated phosphor bronze
PCB	FR4, UL 94V-0
Electrical	
Dielectric Strength	1,000 V RMS, 1 min
Insulation Resistance	10 MOhm min
Contact Resistance	2 mOhm per contact
Current Rating	1.5 A max.
Mechanical	
Insertion Force	30 N (6.7 lbf) max
Plug Retention Force	75 N (16.9 lbf) min
Socket Durability	Level 1, 750 mating cycles min.
Environmental	
Operating Temperature	-10 °C – +60 °C (+14 °F – +140 °F)
Operating Humidity	≤95 % RH non-condensing
Compliance	
IEC 60603-7-51, UL DUXR, UL 94V-0, UL 94V-2, RoHS2	

VERTICAL CABLE

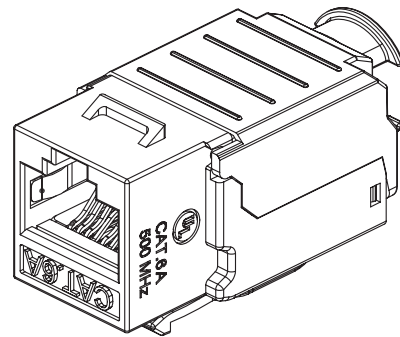
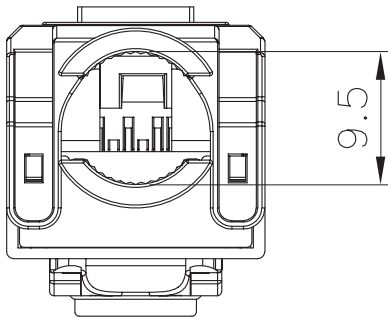
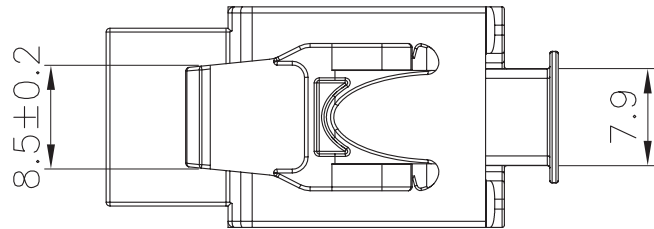
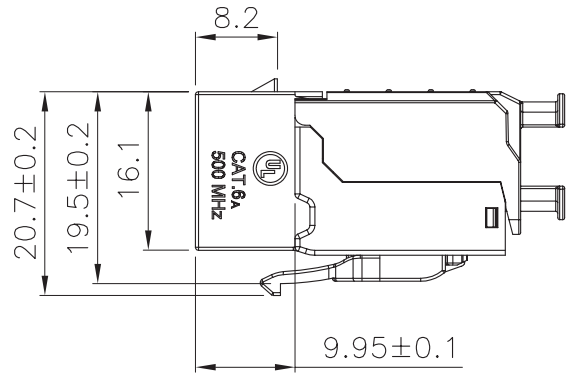
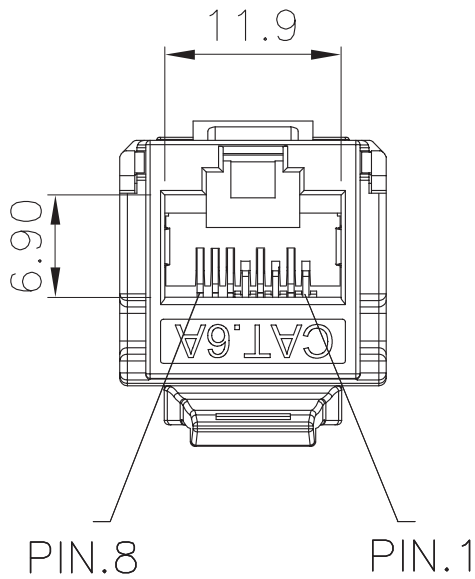
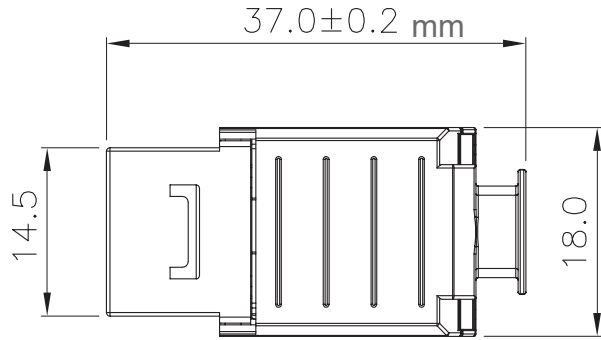
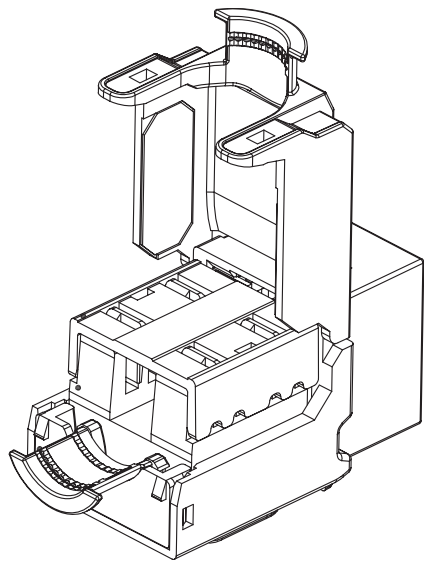
800.749.2447 Florida
951.696.7772 California
845.391.8318 New York



www.verticalcable.com

Rev. 05/2023

Specs subject to change without notice.
It is the sole responsibility of the user to have the most current specs.



VERTICAL CABLE

800.749.2447 Florida
 951.696.7772 California
 845.391.8318 New York



www.verticalcable.com
 Rev. 05/2023

Specs subject to change without notice.
 It is the sole responsibility of the user to have the most current specs.