

1U HINGED ADJUSTABLE WALL MOUNT BRACKET



SKU: 046-388/E

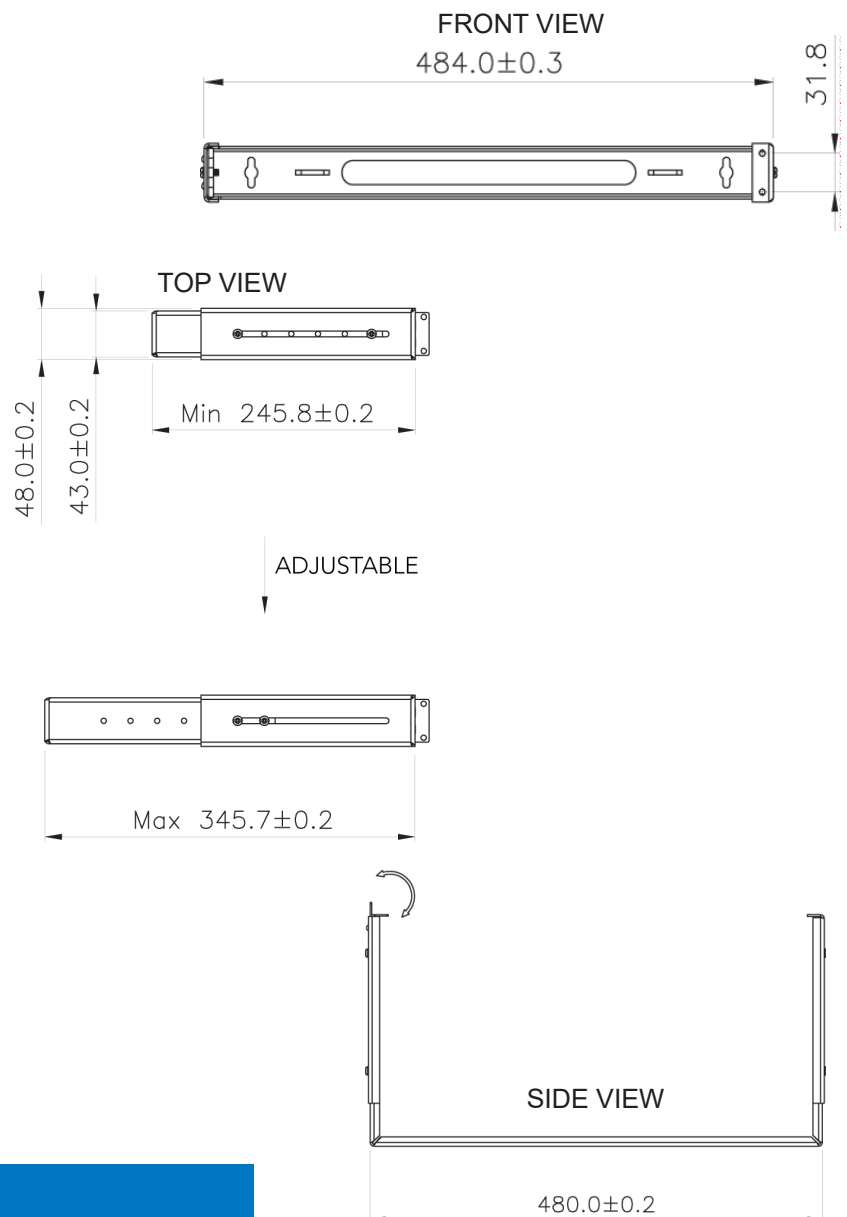
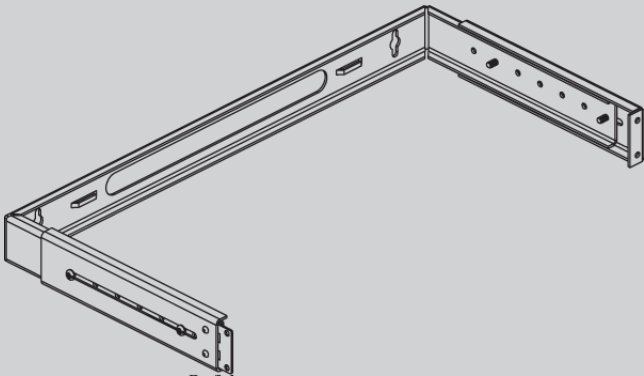
Thickness of Bracket ($\pm 0.1\text{mm}$)	2
Height (in)	1.75
Width (in)	19
Depth (in)	10" to 13" (Adjustable)
Weight (lb)	3.8
Color	Black

DESCRIPTION

1U Hinged Adjustable Wall Mount Bracket, 19", Black

FEATURES

- Fits any standard 1U 19" patch panel
- Adjustable depth from 10" to 13"
- Bracket and Frames made of 2mm thick steel (14AWG), painted black
- Comes with M5 screws (5mm x 15mm)



VERTICAL CABLE

951.696.7772 California
800.749.2447 Florida
845.391.8318 New York

www.verticalcable.com

Rev. 01/2015

Specs subject to change without notice.

It is the sole responsibility of the user to have the most current specs.