



Catalog Number 01416
UPC Number 60198601416
Description Nylon Fully Insulated Male Disconnect 16-14



Features

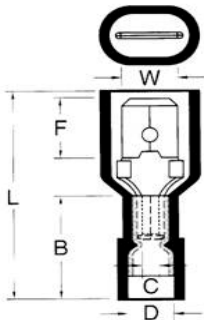
- Nylon Color Coded insulation on barrel and disconnect tab
- Manufactured from high strength copper alloy
- Electro-tin plated for corrosion resistance
- Easy entry expanded insulation eliminates strand “Hang Up”, increases the crimping rates and the reliability of the wire
- Wire range stamped on the surface for easy interpretation
- Brazed seams prevent splitting under maximum pressure
- Serrated barrel & flared position of sleeves provide excellent contact & mechanical stress relief at insulation & barrel junction
- Packed in Zip Lock plastic bags with punched hole for pegboard hanging

General

Insulation Type Nylon
Material Brass
Finish Electro-Tin Plated
Color Blue
Wire Range 16-14
Tab Size .032 X .250

Dimension Information

Stock Thickness 0.016
L Inches (mm) 0.945
B Inches (mm) 0.433
C Inches (mm) 0.091
D Inches (mm) 0.177
F Inches (mm) 0.303
W Inches (mm) 0.25



Specifications

Temperature Rating 105°C
Voltage Rating 300 V
Flammability Rating UL94V-O
Amp Rating 15 Amps

Packaging

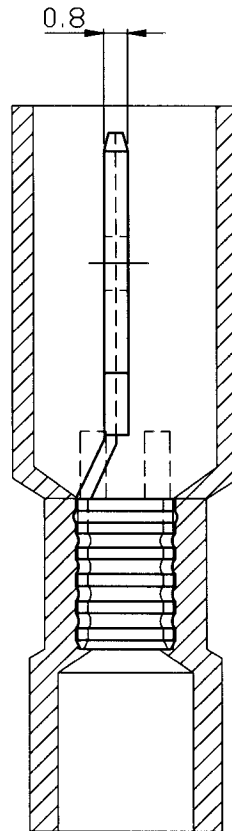
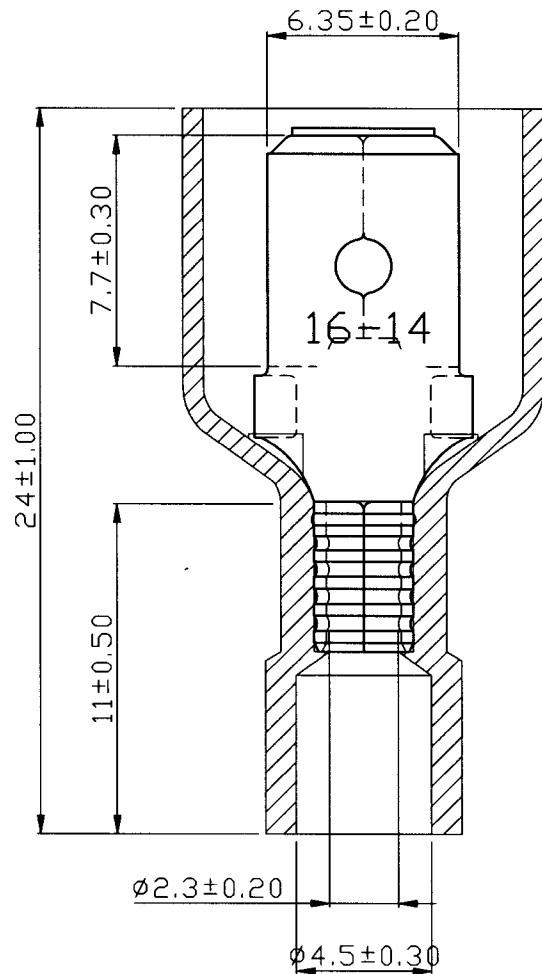
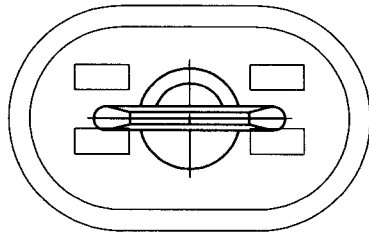
Bag Qty 25
Master Bag Qty 100

Certifications

UL Yes
cUL Yes
RoHS Yes

Morris Products 53 Carey Road, Queensbury, NY 12804

www.morrisproducts.com



REV	DESCRIPTION	DATE
-----	-------------	------

NOTE :

- MAXIMUM ELECTRIC CURRENT :

A.W.G.	16	14	
AMP.	10	15	
- MAXIMUM ELECTRICAL RATING : 105°C 300 VOLTS MAX.
- INSULATION MATERIAL : NYLON
- INSULATION COLOR : BLUE
- TERMINAL MATERIAL : BRASS
- WIRE RANGE : 16-14 A.W.G. (1.5-2.5 mm²)
- NEMA TAB : 0.032 inch * 0.250 inch (0.8 mm * 6.35 mm)
- TERMINAL SURFACE TREATMENT : TIN PLATED
- TERMINAL THICKNESS : 0.40 mm

Tolerance Unless Otherwise Specified	
0 > 6 mm ± 0.20	ANGLE
6 > 18 mm ± 0.30	0° REF ±
18 > 30 mm ± 0.40	° ±
30 > 75 mm ± 0.50	° ±

NAME	NYLON-FULLY INSULATED MALE DISCONNECTORS			UNIT	
PART NO.	01416	MATERIAL	-----	APPROVE	
NUMBER		SCALE	SHEET	PAGE	CHECKED
DATE	2008/07/08	4/1	1-0	10F2	DRAWN

Morris Products Inc.