



**Catalog Number** 01332  
**UPC Number** 60198601332  
**Description** Vinyl Insulated Female Disconnect 12-10



#### Features

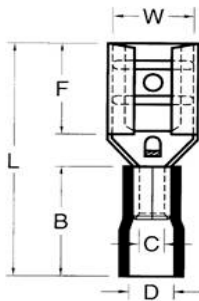
- Vinyl Color Coded insulation for easy identification
- Manufactured from high strength copper alloy
- Electro-tin plated for corrosion resistance
- Easy entry expanded insulation eliminates strand “Hang Up”, increases the crimping rates and the reliability of the wire
- Wire range stamped on the surface for easy interpretation
- Butted seams prevent splitting under maximum pressure
- Serrated barrel & flared position of sleeves provide excellent contact & mechanical stress relief at insulation & barrel junction
- Packed in Zip Lock plastic bags with punched hole for pegboard hanging

#### General

Insulation Type Vinyl  
Material Brass  
Finish Electro-Tin Plated  
Color Yellow  
Wire Range 12-10  
Tab Size .032 X .250

#### Dimension Information

Stock Thickness 0.016  
L Inches (mm) 0.925  
B Inches (mm) 0.512  
C Inches (mm) 0.134  
D Inches (mm) 0.217  
F Inches (mm) 0.287  
W Inches (mm) 0.26



#### Specifications

Temperature Rating 167°F (75°C)  
Voltage Rating 300 V  
Flammability Rating UL94V-O  
Amp Rating 24 Amps

#### Packaging

Bag Qty 25  
Master Bag Qty 100

#### Certifications

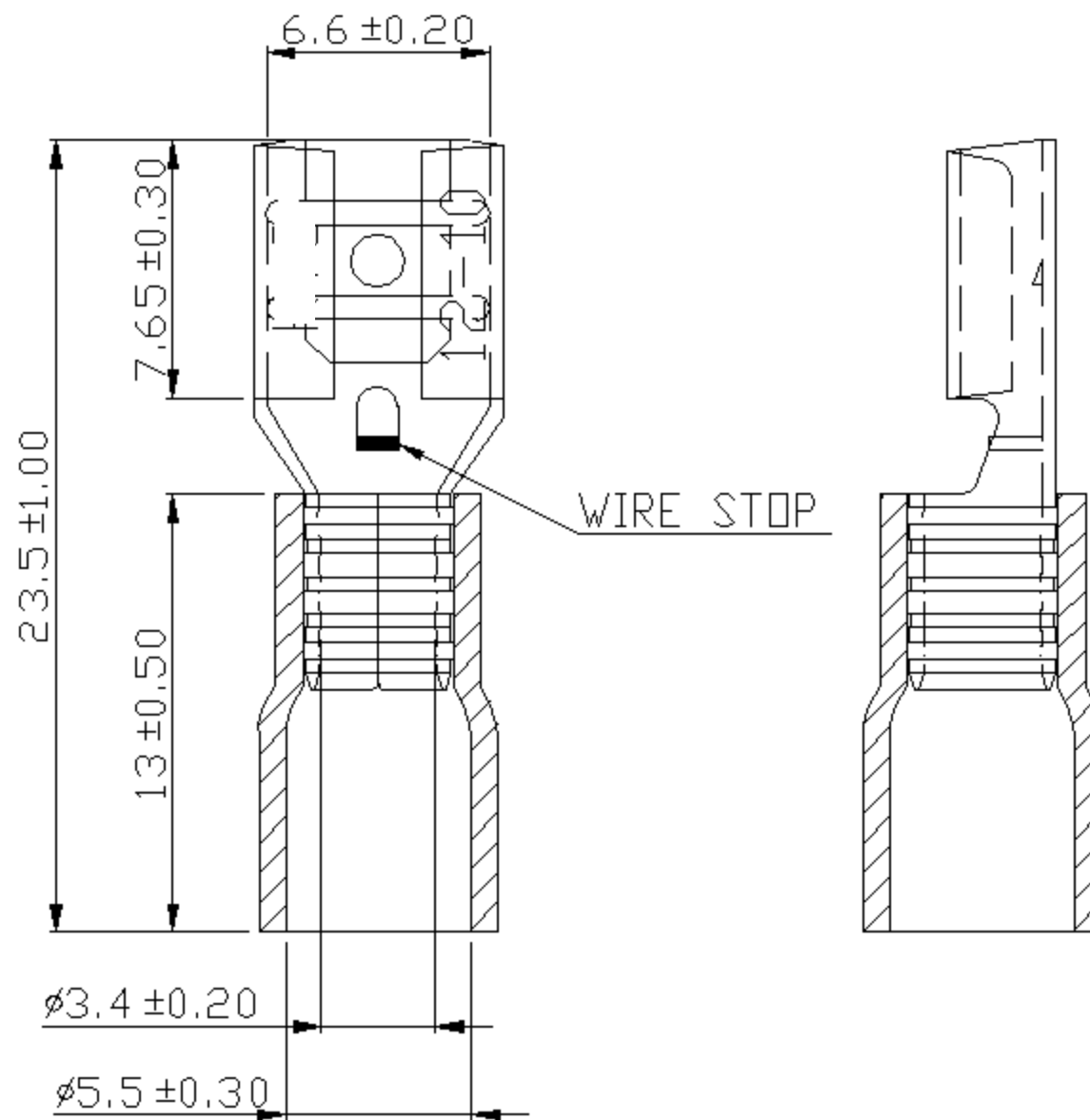
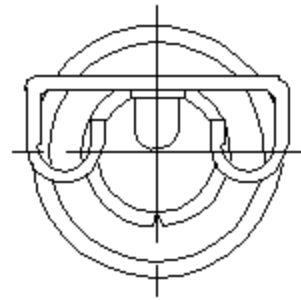
UL Yes  
cUL Yes  
RoHS Yes

Morris Products 53 Carey Road, Queensbury, NY 12804

[www.morrisproducts.com](http://www.morrisproducts.com)



REV	DESCRIPTION	DATE
-----	-------------	------



NOTE:

- MAXIMUM ELECTRIC CURRENT : 

A.W.G.	12	10	
AMP.	20	24	
- MAXIMUM ELECTRICAL RATING : 75°C 300 VOLTS MAX.
- INSULATION MATERIAL : VINYL
- INSULATION COLOR : YELLOW
- TERMINAL MATERIAL : BRASS
- WIRE RANGE : 12-10 A.W.G.( 4-6 mm<sup>2</sup>)
- TERMINALS SURFACE TREATMENT : TIN PLATED
- THICKNESS : 0.40 mm
- NEMA TAB : 0.032\*0.250 (0.8 \* 6.35)

Tolerance Unless Otherwise Specified		
0 > 6 mm	$\pm 0.20$	ANGLE
6 > 18 mm	$\pm 0.30$	0° REF ±
18 > 30 mm	$\pm 0.40$	±
30 > 75 mm	$\pm 0.50$	±

NAME	VINYL-INSULATED FEMALE DISCONNECTORS			UNIT	mm	
PART NO.	01332	MATERIAL	-----	APPROVE		
NUMBER		SCALE	SHEET	PAGE	CHECKED	
DATE	2006/04/19	3/1	1-0	10F2	DRAWN	

Morris Products Inc.