



Catalog Number 01314
UPC Number 60198601314
Description Vinyl Insulated Female Disconnect 22-16



Features

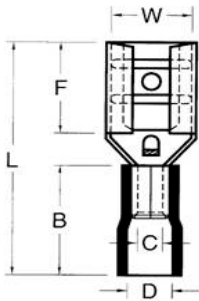
- Vinyl Color Coded insulation for easy identification
- Manufactured from high strength copper alloy
- Electro-tin plated for corrosion resistance
- Easy entry expanded insulation eliminates strand “Hang Up”, increases the crimping rates and the reliability of the wire
- Wire range stamped on the surface for easy interpretation
- Butted seams prevent splitting under maximum pressure
- Serrated barrel & flared position of sleeves provide excellent contact & mechanical stress relief at insulation & barrel junction
- Packed in Zip Lock plastic bags with punched hole for pegboard hanging

General

Insulation Type Vinyl
Material Brass
Finish Electro-Tin Plated
Color Red
Wire Range 22-16
Tab Size .032 X .250

Dimension Information

Stock Thickness 0.016
L Inches (mm) 0.807
B Inches (mm) 0.394
C Inches (mm) 0.067
D Inches (mm) 0.157
F Inches (mm) 0.287
W Inches (mm) 0.26



Specifications

Temperature Rating 167°F (75°C)
Voltage Rating 300 V
Flammability Rating UL94V-O
Amp Rating 10 Amps

Packaging

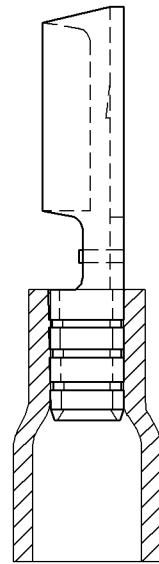
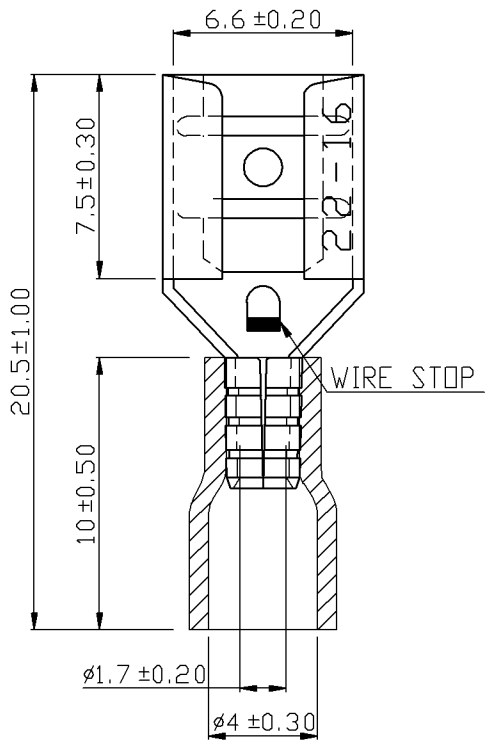
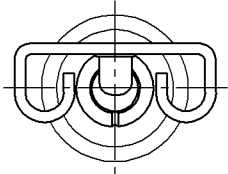
Bag Qty 25
Master Bag Qty 100

Certifications

UL Yes
cUL Yes
RoHS Yes

Morris Products 53 Carey Road, Queensbury, NY 12804

www.morrisproducts.com



REV	DESCRIPTION	DATE
△ RDC-98017		2007/11/02

NOTE :

1. MAXIMUM ELECTRIC CURRENT :

A.W.G.	22	20	18	16
AMP.	3	4	7	10
2. MAXIMUM ELECTRICAL RATING : 75°C 300 VOLTS MAX.
3. INSULATION MATERIAL : VINYL
4. INSULATION COLOR : RED
5. TERMINAL MATERIAL : BRASS
6. WIRE RANGE : 22-16 A.W.G. (0.5-1.5 mm²)
7. NEMA TAB : 0.032 inch * 0.250 inch (0.8 mm * 6.35 mm)
8. TERMINAL SURFACE TREATMENT : TIN PLATED
9. TERMINAL THICKNESS : 0.40 mm

Tolerance Unless Otherwise Specified	
0 > 6 mm ± 0.20	ANGLE
6 > 18 mm ± 0.30	0° > ° REF ±
18 > 30 mm ± 0.40	° > ° ±
30 > 75 mm ± 0.50	° > ° ±

NAME	VINYL-INSULATED FEMALE DISCONNECTORS			UNIT	mm	
PART NO.	01314	MATERIAL	-----	APPROVE		
NUMBER		SCALE	SHEET	PAGE	CHECKED	
DATE	2006/04/26	4/1	1-1	10F2	DRAWN	

Morris Products Inc.