



**Catalog Number** 01224  
**UPC Number** 60198601224  
**Description** Vinyl Insulated Male Disconnect 16-14

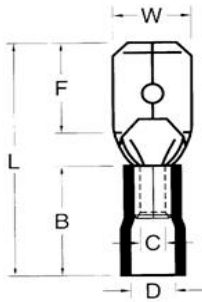


#### Features

- Vinyl Color Coded insulation for easy identification
- Manufactured from high strength copper alloy
- Electro-tin plated for corrosion resistance
- Easy entry expanded insulation eliminates strand “Hang Up”, increases the crimping rates and the reliability of the wire
- Wire range stamped on the surface for easy interpretation
- Butted seams prevent splitting under maximum pressure
- Serrated barrel & flared position of sleeves provide excellent contact & mechanical stress relief at insulation & barrel junction
- Packed in Zip Lock plastic bags with punched hole for pegboard hanging

#### General

Insulation Type Vinyl  
 Material Brass  
 Finish Electro-Tin Plated  
 Color Blue  
 Wire Range 16-14  
 Tab Size .032 X .250



#### Dimension Information

Stock Thickness 0.016  
 L Inches (mm) 0.827  
 B Inches (mm) 0.394  
 C Inches (mm) 0.091  
 D Inches (mm) 0.177  
 F Inches (mm) 0.303  
 W Inches (mm) 0.25

#### Specifications

Temperature Rating 167°F (75°C)  
 Voltage Rating 300 V  
 Flammability Rating UL94V-O  
 Amp Rating 15 Amps

#### Packaging

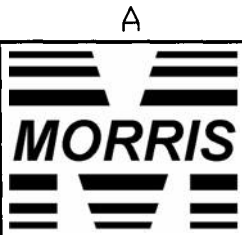
Bag Qty 25  
 Master Bag Qty 100

#### Certifications

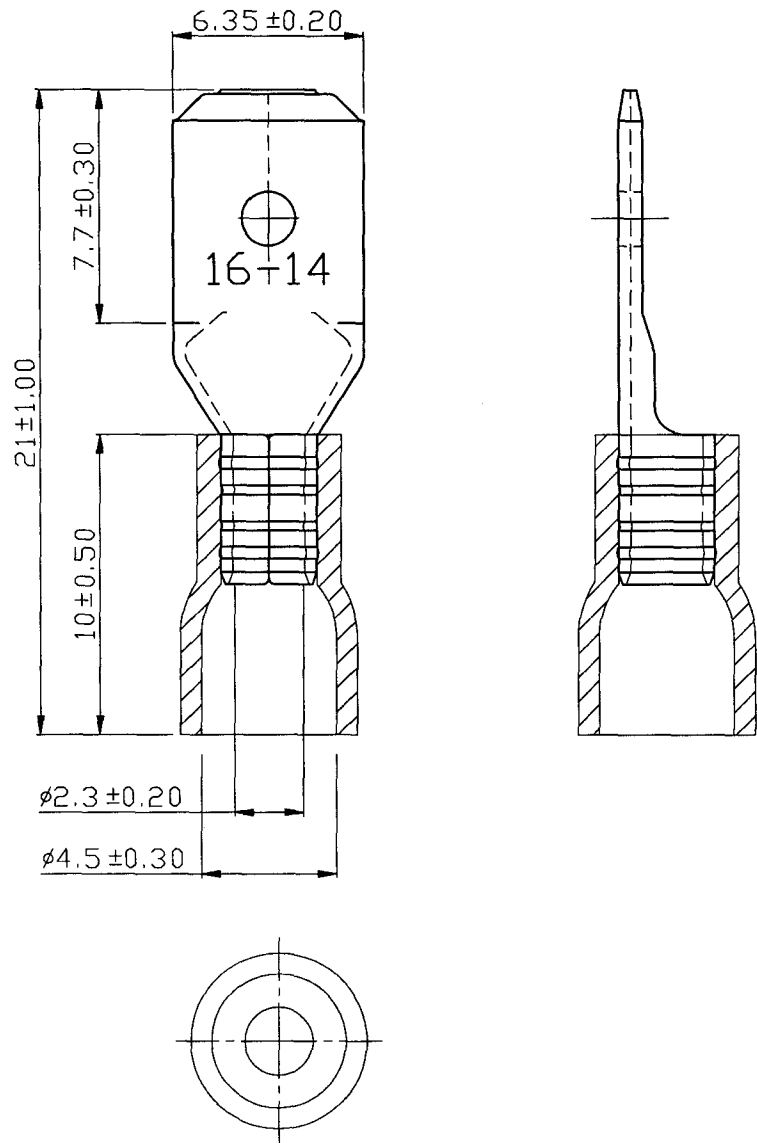
UL Yes  
 cUL Yes  
 RoHS Yes

Morris Products 53 Carey Road, Queensbury, NY 12804

[www.morrisproducts.com](http://www.morrisproducts.com)



REV	DESCRIPTION	DATE
-----	-------------	------



NOTE :

1. MAXIMUM ELECTRIC CURRENT : 

A.W.G.	16	14
AMP.	10	15
2. MAXIMUM ELECTRICAL RATING : 75°C 300 VOLTS MAX.
3. INSULATION MATERIAL : VINYL
4. INSULATION COLOR : BLUE
5. TERMINAL MATERIAL : BRASS
6. WIRE RANGE : 16-14 A.W.G. ( 1.5-2.5 mm<sup>2</sup> )
7. NEMA TAB : 0.032 inch \* 0.250 inch ( 0.8 mm \* 6.35 mm )
8. TERMINAL SURFACE TREATMENT : TIN PLATED
9. TERMINAL THICKNESS : 0.40 mm

Tolerance Unless Otherwise Specified	
0 > 6 mm ± 0.20	ANGLE
6 > 18 mm ± 0.30	0° ° REF ±
18 > 30 mm ± 0.40	° ° ±
30 > 75 mm ± 0.50	° ° ±

NAME	VINYL-INSULATED MALE DISCONNECTORS			UNIT	'mm'	
PART NO.	101224	MATERIAL	-----	APPROVE		
NUMBER		SCALE	SHEET	PAGE	CHECKED	
DATE	2006/06/13	4/1	1-0	10F2	DRAWN	

Morris Products Inc.