



Catalog Number 01214
UPC Number 60198601214
Description Vinyl Insulated Male Disconnect 22-16

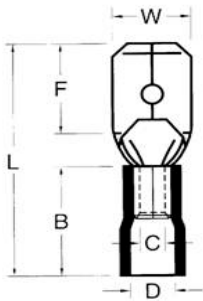


Features

- Vinyl Color Coded insulation for easy identification
- Manufactured from high strength copper alloy
- Electro-tin plated for corrosion resistance
- Easy entry expanded insulation eliminates strand “Hang Up”, increases the crimping rates and the reliability of the wire
- Wire range stamped on the surface for easy interpretation
- Butted seams prevent splitting under maximum pressure
- Serrated barrel & flared position of sleeves provide excellent contact & mechanical stress relief at insulation & barrel junction
- Packed in Zip Lock plastic bags with punched hole for pegboard hanging

General

Insulation Type Vinyl
Material Brass
Finish Electro-Tin Plated
Color Red
Wire Range 22-16
Tab Size .032 X .250



Dimension Information

Stock Thickness 0.016
L Inches (mm) 0.827
B Inches (mm) 0.394
C Inches (mm) 0.067
D Inches (mm) 0.157
F Inches (mm) 0.303
W Inches (mm) 0.25

Specifications

Temperature Rating 167°F (75°C)
Voltage Rating 300 V
Flammability Rating UL94V-O
Amp Rating 10 Amps

Packaging

Bag Qty 25
Master Bag Qty 100

Certifications

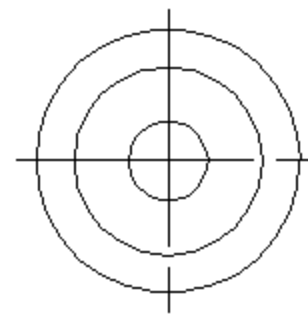
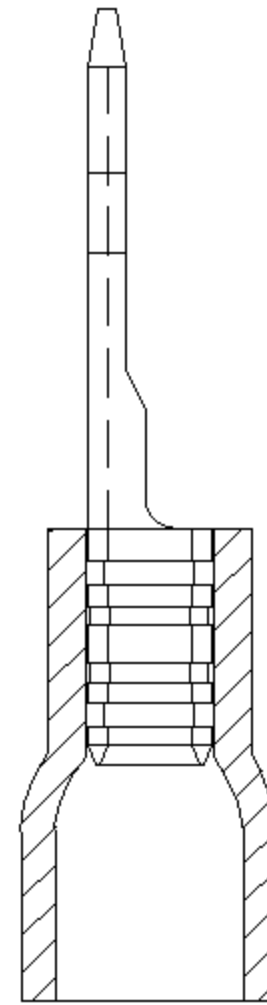
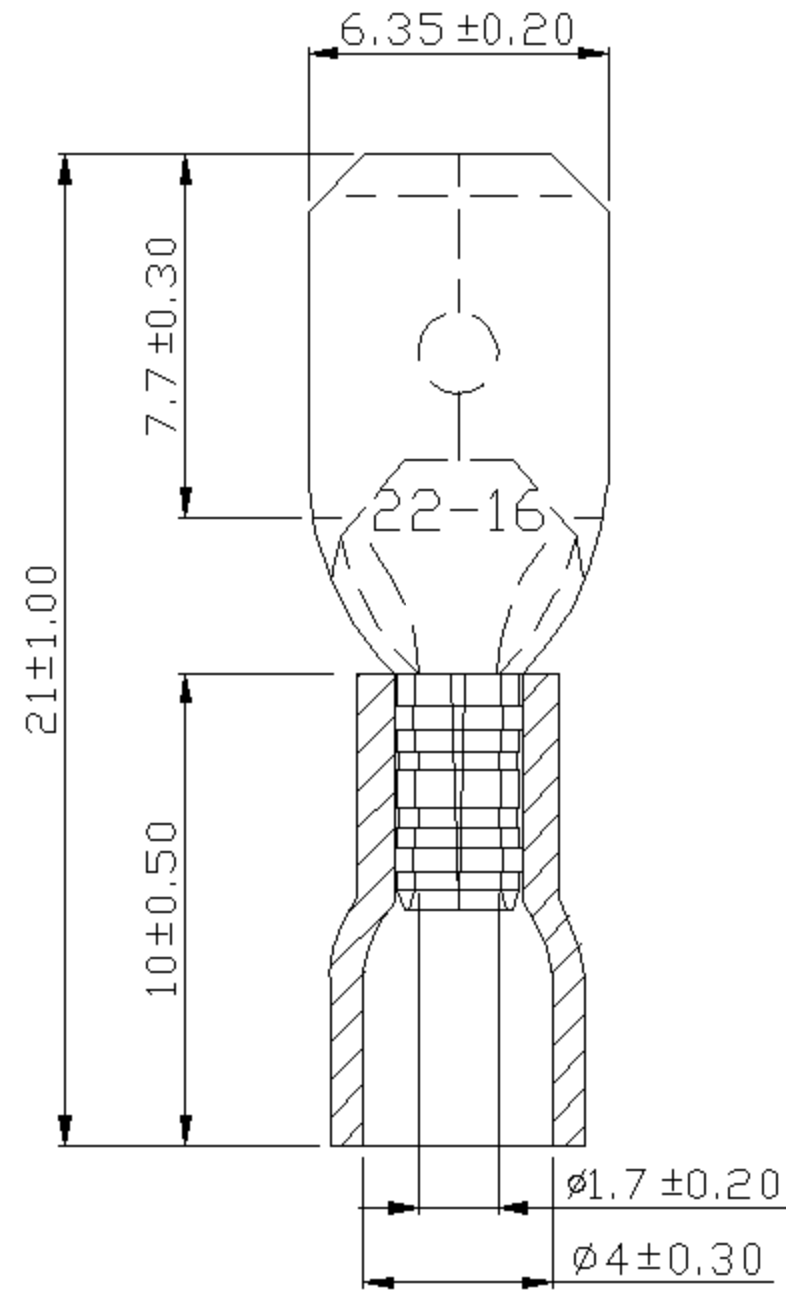
UL Yes
cUL Yes
RoHS Yes

Morris Products 53 Carey Road, Queensbury, NY 12804

www.morrisproducts.com



REV	DESCRIPTION	DATE
-----	-------------	------



NOTE:

1. MAXIMUM ELECTRIC CURRENT :

A.W.G.	22	20	18	16
AMP.	3	4	7	10
2. MAXIMUM ELECTRICAL RATING : 75°C 300 VOLTS MAX.
3. INSULATION MATERIAL : VINYL
4. INSULATION COLOR : RED
5. TERMINAL MATERIAL : BRASS
6. WIRE RANGE : 22-16 A.W.G.(0.5-1.5mm²)
7. TERMINALS SURFACE TREATMENT : TIN PLATED
8. TERMINALS THICKNESS : 0.4 mm
9. NEMA TAB : 0.032 * 0.250 (0.8 * 6.35)

Tolerance Unless Otherwise Specified			
0 > 6 mm	±0.20	ANGLE	
6 > 18 mm	±0.30	0° >	° REF ±
18 > 30 mm	±0.40	° >	° ±
30 > 75 mm	±0.50	° >	° ±

NAME	VINYL-INSULATED MALE DISCONNECTORS				UNIT	mm	
PART NO.	01214	MATERIAL	-----	APPROVE			
NUMBER		SCALE	SHEET	PAGE	CHECKED		
DATE	2006/06/13	4/1	1-0	10F2	DRAWN		

Morris Products Inc.