



Catalog Number 01212
UPC Number 60198601212
Description Vinyl Insulated Male Disconnect Connectors 22-16

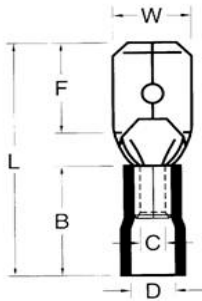


Features

- Vinyl Color Coded insulation for easy identification
- Manufactured from high strength copper alloy
- Electro-tin plated for corrosion resistance
- Easy entry expanded insulation eliminates strand “Hang Up”, increases the crimping rates and the reliability of the wire
- Wire range stamped on the surface for easy interpretation
- Butted seams prevent splitting under maximum pressure
- Serrated barrel & flared position of sleeves provide excellent contact & mechanical stress relief at insulation & barrel junction
- Packed in Zip Lock plastic bags with punched hole for pegboard hanging

General

Insulation Type Vinyl
 Material Brass
 Finish Electro-Tin Plated
 Color Red
 Wire Range 22-16
 Tab Size .020 X .187



Dimension Information

Stock Thickness 0.02
 L Inches (mm) 0.748
 B Inches (mm) 0.394
 C Inches (mm) 0.067
 D Inches (mm) 0.157
 F Inches (mm) 0.256
 W Inches (mm) 0.189

Specifications

Temperature Rating 167°F (75°C)
 Voltage Rating 300 V
 Flammability Rating UL94V-O
 Amp Rating 10 Amps

Packaging

Bag Qty 25
 Master Bag Qty 100

Certifications

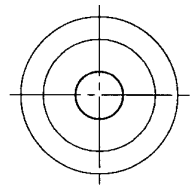
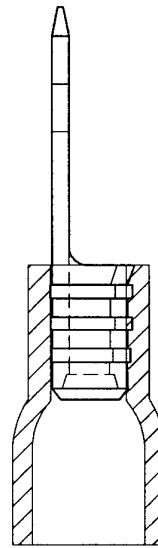
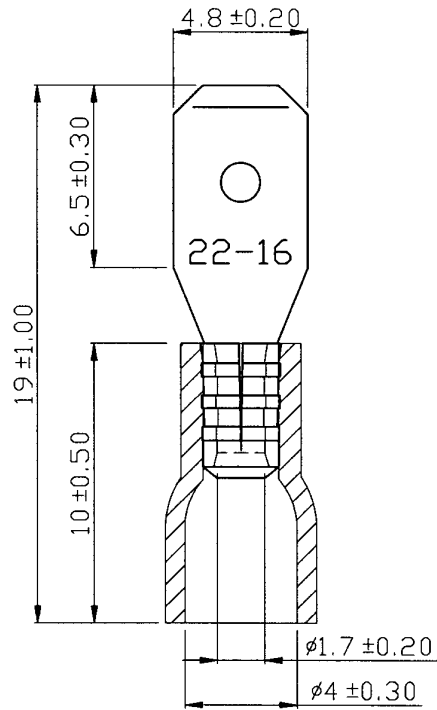
UL Yes
 cUL Yes
 RoHS Yes

Morris Products 53 Carey Road, Queensbury, NY 12804

www.morrisproducts.com



REV	DESCRIPTION	DATE
-----	-------------	------



NOTE :

1. MAXIMUM ELECTRIC CURRENT :

A.W.G.	22	20	18	16
AMP.	3	4	7	10
2. MAXIMUM ELECTRICAL RATING : 75°C 300 VOLTS MAX.
3. INSULATION MATERIAL : VINYL
4. INSULATION COLOR : RED
5. TERMINAL MATERIAL : BRASS
6. WIRE RANGE : 22-16 A.W.G. (0.5-1.5 mm²)
7. NEMA TAB : 0.020 inch * 0.187 inch (0.5 mm * 4.75 mm)
8. TERMINAL SURFACE TREATMENT : TIN PLATED
9. TERMINAL THICKNESS : 0.50 mm

Tolerance Unless	
Otherwise Specified	
0 > 6 mm ± 0.20	ANGLE
6 > 18 mm ± 0.30	0° REF ±
18 > 30 mm ± 0.40	±
30 > 75 mm ± 0.50	±

NAME	VINYL-INSULATED MALE DISCONNECTORS			UNIT	
PART NO.	01212	MATERIAL	-----	APPROVE	
NUMBER		SCALE	SHEET	PAGE	CHECKED
DATE	2006/06/13	4/1	1-0	1 OF 2	DRAWN

Morris Products Inc.