

# CAT6/6A NON SHIELDED PLUGS (FEED THROUGH STYLE)



## DESCRIPTION

Category 6/6A, RJ45 Modular Connector,  
Non shielded feed through.

## FEATURES

- Feed through design
- Fast and easy to terminate
- Easier sequence verification
- Gold plated terminal contact
- For solid and stranded cable

## SKU: 012-025/EZF-100

### Electrical

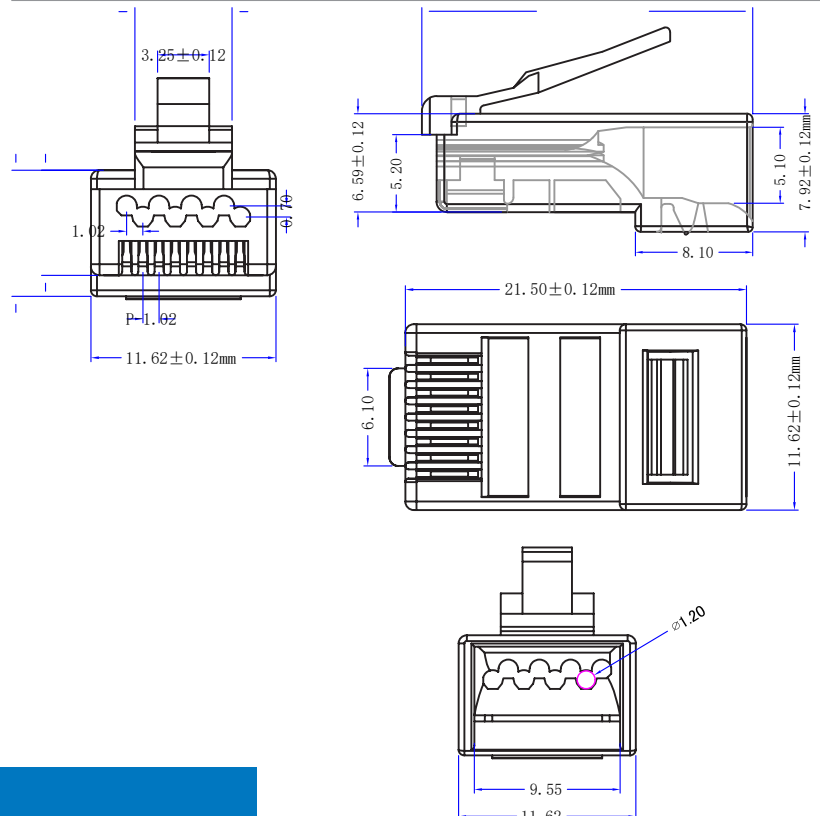
Voltage Rating	250 VAC RMS
Current Rating	2 Amps
Contact Resistance	20m $\Omega$ Max
Insulation Resistance	500m $\Omega$

### Mechanical

Cable to Plug Tensile Strength	20 lbs
Durability	2000 Cycles Min.

### Material

Housing	Polycarbonate UL94V-2
Contact Blade	Gold Plated (3 Prong)
Conductor Type	For Solid and Stranded Wire
Conductor Size	For 23AWG
Insulation Size	1.2mm max



**VERTICAL CABLE**

800.749.2447 Florida  
951.696.7772 California  
845.391.8318 New York

[www.verticalcable.com](http://www.verticalcable.com)

Rev. 03/2019

Specs subject to change without notice.  
It is the sole responsibility of the user to have the most current specs.