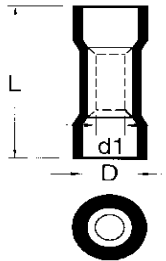




Catalog Number 01186
UPC Number 60198601186
Description Vinyl Insulated Butt Splice Connectors 12-10



Features

- Color Coded insulation for easy identification
- Manufactured from high strength copper alloy
- Electro-tin plated for corrosion resistance
- Easy entry expanded insulation eliminates strand “Hang Up”, increases the crimping rates and the reliability of the wire
- Wire range stamped on the surface for easy interpretation
- Butted seams prevent splitting under maximum pressure
- Crimping barrel & flared position of sleeves provide excellent contact & mechanical stress relief at insulation & barrel junction
- Packed in Zip Lock plastic bags with punched hole for pegboard hanging

General

Insulation Type	Vinyl
Material	Copper Tubular/Copper Plate
Finish	Electro-Tin Plated
Color	Yellow
Wire Range	10-Dec
Stud Size	

Dimension Information

Stock Thickness	
L Inches (mm)	1.043
D Inches (mm)	0.248
D1 Inches (mm)	0.134

Specifications

Temperature Rating	167°F (75°C)
Voltage Rating	600
Flammability Rating	UL94V-O
Amp Rating	48 Amps

Packaging

Bag Qty	25
Master Bag Qty	100

Certifications

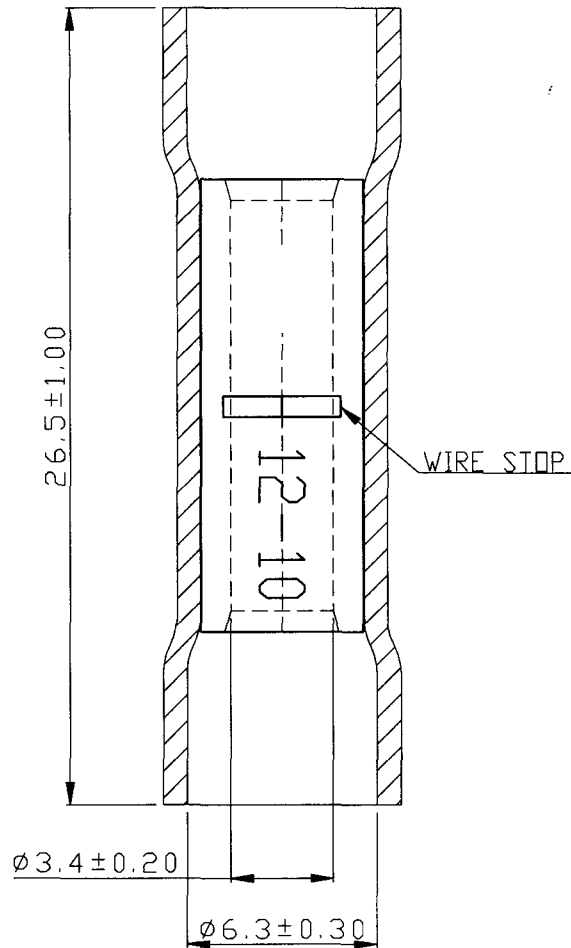
UL	Yes
cUL	Yes
RoHS	Yes

Morris Products 53 Carey Road, Queensbury, NY 12804

www.morrisproducts.com



REV	DESCRIPTION	DATE
-----	-------------	------



NOTE :

1. MAXIMUM ELECTRIC CURRENT :

A.W.G.	12	10	
AMP.	35	50	
2. MAXIMUM ELECTRICAL RATING : 75°C 600 VOLTS MAX.
3. INSULATION MATERIAL : VINYL
4. INSULATION COLOR : YELLOW
5. CONNECTOR MATERIAL : COPPER PLATE
6. WIRE RANGE : 12-10 A.W.G. (4 - 6 mm²)
7. CONNECTOR SURFACE TREATMENT : TIN PLATED

Tolerance Unless Otherwise Specified	
0 > 6 mm ± 0.20	ANGLE
6 > 18 mm ± 0.30	0° ° REF ±
18 > 30 mm ± 0.40	° ±
30 > 75 mm ± 0.50	° ±

NAME	VINYL-INSULATED BUTT SPLICE CONNECTORS				UNIT	
PART NO.	01186	MATERIAL	-----	APPROVE		
NUMBER	KA-96800-C	SCALE	SHEET	PAGE	CHECKED	
DATE	2007/09/26	4/1	1-0	10F2	DRAWN	

Morris Products Inc.