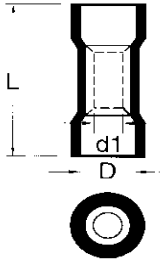




**Catalog Number** 01184  
**UPC Number** 60198601184  
**Description** Vinyl Insulated Butt Splice Connectors 16-14



### Features

- Color Coded insulation for easy identification
- Manufactured from high strength copper alloy
- Electro-tin plated for corrosion resistance
- Easy entry expanded insulation eliminates strand “Hang Up”, increases the crimping rates and the reliability of the wire
- Wire range stamped on the surface for easy interpretation
- Butted seams prevent splitting under maximum pressure
- Crimping barrel & flared position of sleeves provide excellent contact & mechanical stress relief at insulation & barrel junction
- Packed in Zip Lock plastic bags with punched hole for pegboard hanging

### General

Insulation Type	Vinyl
Material	Copper Tubular/Copper Plate
Finish	Electro-Tin Plated
Color	Blue
Wire Range	16-14
Stud Size	

### Dimension Information

Stock Thickness	
L Inches (mm)	0.986
D Inches (mm)	0.177
D1 Inches (mm)	0.091

### Specifications

Temperature Rating	167°F (75°C)
Voltage Rating	600
Flammability Rating	UL94V-O
Amp Rating	

### Packaging

Bag Qty	
Master Bag Qty	

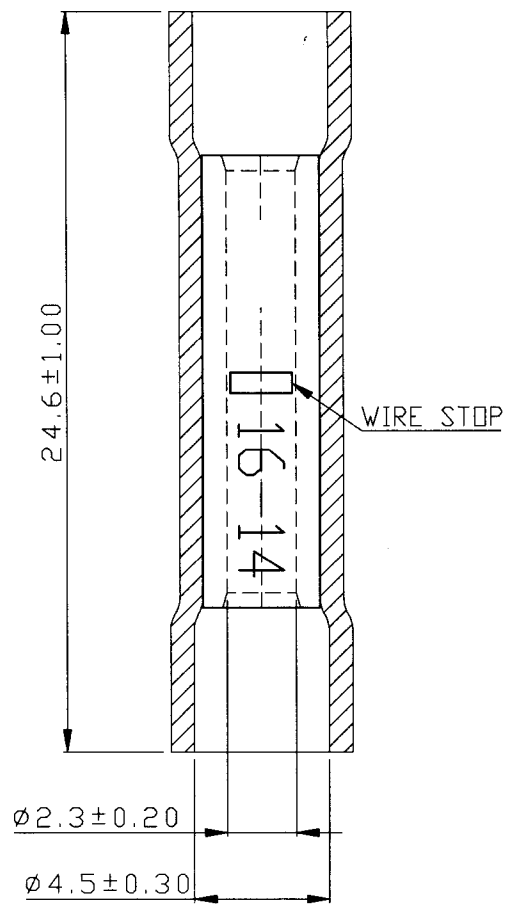


### Certifications

UL	Yes
cUL	Yes
RoHS	Yes



REV	DESCRIPTION	DATE
-----	-------------	------



- NOTE :
1. MAXIMUM ELECTRIC CURRENT : 

A.W.G.	16	14	
AMP.	18	30	
  2. MAXIMUM ELECTRICAL RATING : 75°C 600 VOLTS MAX.
  3. INSULATION MATERIAL : VINYL
  4. INSULATION COLOR : BLUE
  5. CONNECTOR MATERIAL : COPPER PLATE
  6. WIRE RANGE : 16-14 A.W.G. ( 1.5-2.5 mm<sup>2</sup> )
  7. CONNECTOR SURFACE TREATMENT : TIN PLATED

Tolerance Unless otherwise Specified	
0 > 6 mm ± 0.20	ANGLE
6 > 18 mm ± 0.30	0° ° REF ±
18 > 30 mm ± 0.40	° ±
30 > 75 mm ± 0.50	° ±

NAME	VINYL-INSULATED BUTT SPLICE CONNECTORS			UNIT	
PART NO.	01184	MATERIAL	-----	APPROVE	
NUMBER	KA-96799-C	SCALE	SHEET	PAGE	CHECKED
DATE	2007/09/26	4/1	1-0	10F2	DRAWN

Morris Products Inc.