



**Catalog Number** 01136  
**UPC Number** 60198601136  
**Description** Vinyl Insulated Fork Spade Terminal 16-14



### Features

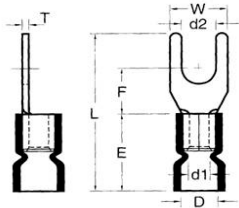
- Color Coded insulation for easy identification
- Manufactured from high strength copper alloy
- Electro-tin plated for corrosion resistance
- Easy entry expanded insulation eliminates strand “Hang Up”, increases the crimping rates and the reliability of the termination
- Wire range stamped on the surface for easy interpretation
- Butted seams prevent splitting under maximum pressure
- Serrated barrel & flared position of sleeves provide excellent contact & mechanical stress relief at insulation & barrel junction
- Packed in Zip Lock plastic bags with punched hole for pegboard hanging

### General

**Insulation Type** Vinyl  
**Material** Copper Tubular/Copper Plate  
**Finish** Electro-Tin Plated  
**Color** Blue  
**Wire Range** 16-14  
**Stud Size** #10

### Dimension Information

**Stock Thickness** 0.031  
**L Inches (mm)** 0.886  
**D Inches (mm)** 0.177  
**D1 Inches (mm)** 0.091  
**D2 Inches (mm)** 0.209  
**E Inches (mm)** 0.453  
**F Inches (mm)** 0.256  
**W Inches (mm)** 0.366  
**T Inches (mm)** 0.031



### Specifications

**Temperature Rating** 167°F (75°C)  
**Voltage Rating** 600 V @105°C  
**Flammability Rating** UL94V-O  
**Amp Rating** 30 Amps

### Packaging

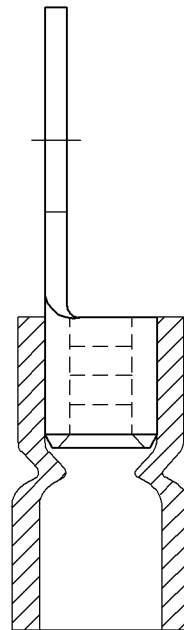
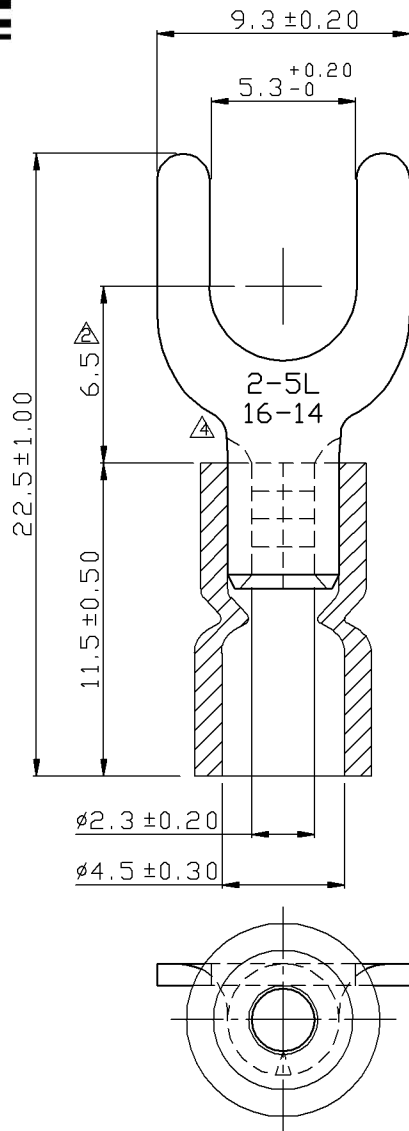
**Bag Qty** 25  
**Master Bag Qty** 100

### Certifications

**UL** Yes  
**cUL** Yes  
**RoHS** Yes

Morris Products 53 Carey Road, Queensbury, NY 12804

[www.morrisproducts.com](http://www.morrisproducts.com)



REV	DESCRIPTION	DATE
△	RDK-97127	2009/07/22
△	RDK-98020	2009/07/22
△	RDC-99213	2010/06/04

NOTE :

1. MAXIMUM ELECTRIC CURRENT : 

A.W.G.	16	14		
AMP.	18	30		
2. MAXIMUM ELECTRICAL RATING : 105°C 600 VOLTS MAX.
3. INSULATION MATERIAL : VINYL
4. INSULATION COLOR : BLUE
5. TERMINAL MATERIAL : COPPER
6. WIRE RANGE : 16-14 A.W.G. ( 1.5-2.5 mm<sup>2</sup> )
7. TERMINAL SURFACE TREATMENT : TIN PLATED
8. TERMINAL THICKNESS : 0.80 mm

△ Tolerance Unless Otherwise Specified	
0 >	mm ± ANGLE
>	mm ± 0° ° REF ±
>	mm ± ° ° ±
>	mm ± ° ° ±

NAME	VINYL-INSULATED (EASY ENTRY) SPADE TERMINALS			UNIT	mm	
PART NO.	01136	MATERIAL	-----	APPROVE		
NUMBER		SCALE	SHEET	PAGE	CHECKED	
DATE	2006/06/22	4/1	1-4	10F2	DRAWN	

Morris Products Inc.