



**Catalog Number** 01118  
**UPC Number** 60198601118  
**Description** Vinyl Insulated Fork Spade Terminal 22-18



**Features**

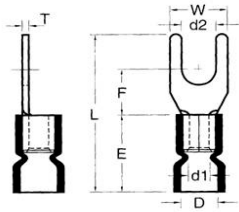
- Color Coded insulation for easy identification
- Manufactured from high strength copper alloy
- Electro-tin plated for corrosion resistance
- Easy entry expanded insulation eliminates strand “Hang Up”, increases the crimping rates and the reliability of the termination
- Wire range stamped on the surface for easy interpretation
- Butted seams prevent splitting under maximum pressure
- Serrated barrel & flared position of sleeves provide excellent contact & mechanical stress relief at insulation & barrel junction
- Packed in Zip Lock plastic bags with punched hole for pegboard hanging

**General**

**Insulation Type** Vinyl  
**Material** Copper Tubular/Copper Plate  
**Finish** Electro-Tin Plated  
**Color** Red  
**Wire Range** 22-18  
**Stud Size** 1/4

**Dimension Information**

**Stock Thickness** 0.03  
**L Inches (mm)** 1.11  
**D Inches (mm)** 0.157  
**D1 Inches (mm)** 0.067  
**D2 Inches (mm)** 0.252  
**E Inches (mm)** 0.441  
**F Inches (mm)** 0.433  
**W Inches (mm)** 0.472  
**T Inches (mm)** 0.03



**Specifications**

**Temperature Rating** 167°F (75°C)  
**Voltage Rating** 600 V @105°C  
**Flammability Rating** UL94V-O  
**Amp Rating** 18 Amps

**Packaging**

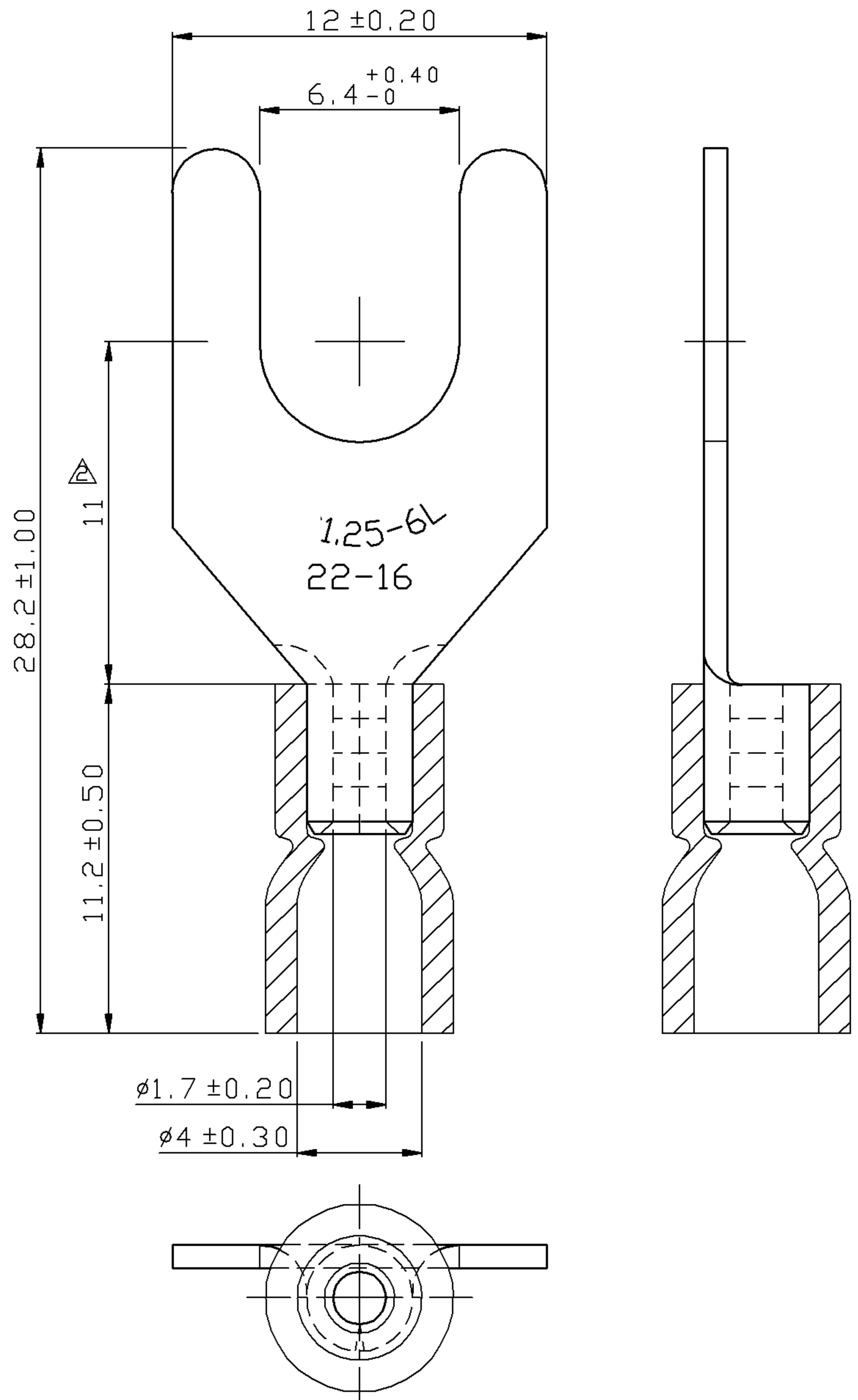
**Bag Qty** 25  
**Master Bag Qty** 100

**Certifications**

**UL** Yes  
**cUL** Yes  
**RoHS** Yes

Morris Products 53 Carey Road, Queensbury, NY 12804

[www.morrisproducts.com](http://www.morrisproducts.com)



REV	DESCRIPTION	DATE
△	RDK-97048	2008/09/12
△	RDK-97127	2008/09/12
△	RDK-98020	2009/07/24

- NOTE :
1. MAXIMUM ELECTRIC CURRENT : 

A.W.G.	22	20	18	16
AMP.	9	12	17	18
  2. MAXIMUM ELECTRICAL RATING : 105°C 600 VOLTS MAX.
  3. INSULATION MATERIAL : VINYL
  4. INSULATION COLOR : RED
  5. TERMINAL MATERIAL : COPPER
  6. WIRE RANGE : 22-16 A.W.G. ( 0.5-1.5 mm<sup>2</sup> )
  7. TERMINAL SURFACE TREATMENT : TIN PLATED
  8. TERMINAL THICKNESS : 0.75 mm

△ Tolerance Unless	
□ Otherwise Specified	
0 >	mm ±
>	mm ±
>	mm ±
>	mm ±
	ANGLE
	0° >
	° REF ±
	° ±
	° ±

NAME	VINYL-INSULATED (EASY ENTRY) SPADE TERMINALS			UNIT	mm	
PART NO.	01118	MATERIAL	-----	APPROVE		
NUMBER		SCALE	SHEET	PAGE	CHECKED	
DATE	2006/06/22	4/1	1-3	10F2	DRAWN	

Morris Products Inc.  
 53 Careu Rd Queensbury NY 12804