



Catalog Number 01040
UPC Number 60198601040
Description Vinyl Insulated Ring Terminal 16-14



Features

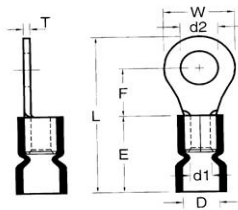
- Color Coded insulation for easy identification
- Manufactured from high strength copper alloy
- Electro-tin plated for corrosion resistance
- Easy entry expanded Insulation eliminates strand “Hang Up”, increases the crimping rates and the reliability of the termination
- Wire range stamped on the surface for easy interpretation
- Butted seams prevent splitting under maximum pressure
- Serrated barrel & flared position of sleeves provide excellent contact & mechanical stress relief at insulation & barrel junction
- Packed in Zip Lock plastic bags with punched hole for pegboard hanging

General

Insulation Type Vinyl
Material Copper Tubular/Copper Plate
Finish Electro-Tin Plated
Color Blue
Wire Range 16-14
Stud Size 5/16

Dimension Information

Stock Thickness 0.031
L Inches (mm) 1.114
D Inches (mm) 0.177
D1 Inches (mm) 0.091
D2 Inches (mm) 0.331
E Inches (mm) 0.453
F Inches (mm) 0.433
W Inches (mm) 0.472
T Inches (mm) 0.031



Specifications

Temperature Rating 167°F (75°C)
Voltage Rating 600 V @105°C
Flammability Rating UL94V-O
Amp Rating 30 Amps

Packaging

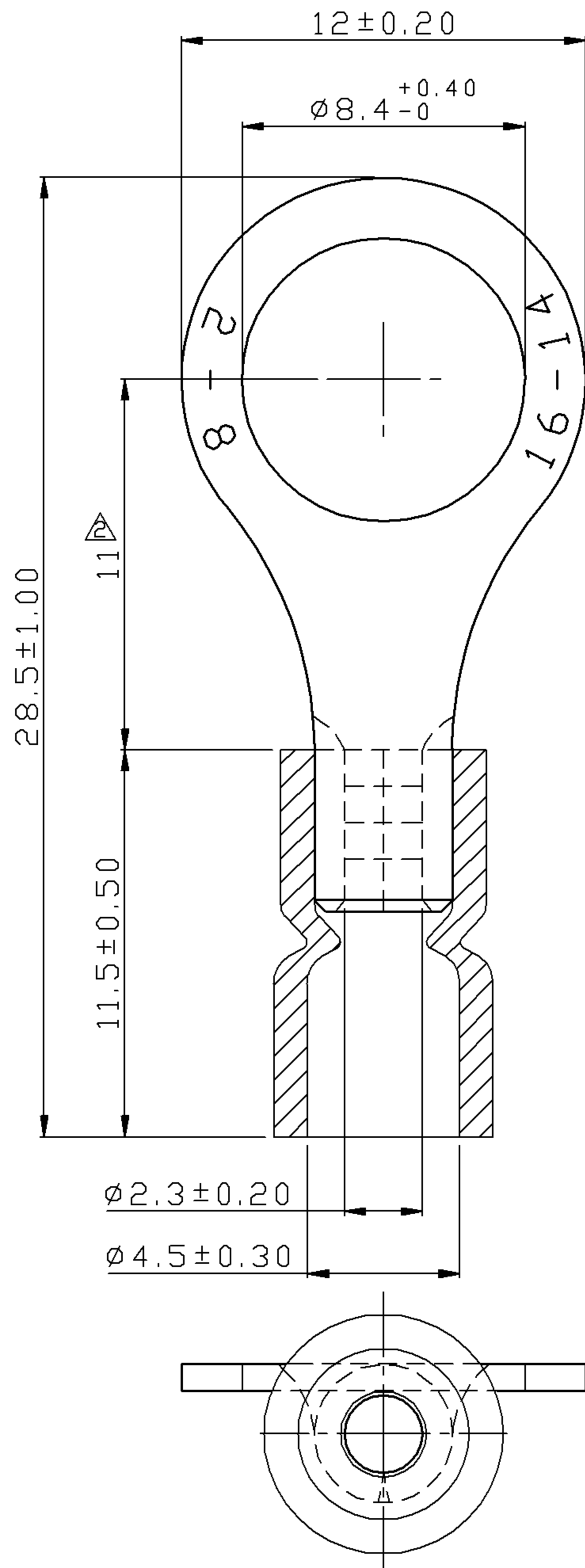
Bag Qty 25
Master Bag Qty 100

Certifications

UL Yes
cUL Yes
RoHS Yes

Morris Products 53 Carey Road, Queensbury, NY 12804

www.morrisproducts.com



REV	DESCRIPTION	DATE
△	RDK-97048	2008/09/15
△	RDK-97127	2008/09/15
△	RDK-98020	2009/08/21

NOTE :

- MAXIMUM ELECTRIC CURRENT :

A.W.G.	16	14	
AMP.	18	30	
- MAXIMUM ELECTRICAL RATING : 105°C 600 VOLTS MAX.
- INSULATION MATERIAL : VINYL
- INSULATION COLOR : BLUE
- TERMINAL MATERIAL : COPPER
- WIRE RANGE : 16-14 A.W.G. ($1.5-2.5 \text{ mm}^2$)
- TERMINAL SURFACE TREATMENT : TIN PLATED
- TERMINAL THICKNESS : 0.80 mm

△ Tolerance Unless	
Otherwise Specified	
0 >	mm ± ANGLE
>	mm ± 0° ° REF ±
>	mm ± ° ° ±
>	mm ± ° ° ±

NAME	VINYL-INSULATED (EASY ENTRY) RING TERMINALS			UNIT	mm	
PART NO.	01040	MATERIAL	-----	APPROVE		
NUMBER		SCALE	SHEET	PAGE	CHECKED	
DATE	2007/04/27	4/1	1-3	10F2	DRAWN	

Morris Products Inc.
53 Carey Rd. Queensbury, NY 12804