



DMW807

INSTALLATION/OWNER'S MANUAL

Wakeboard Tower Speakers with
8" Woofer and 1" Titanium Dome Tweeter

illuminate[®]

Dual[®]



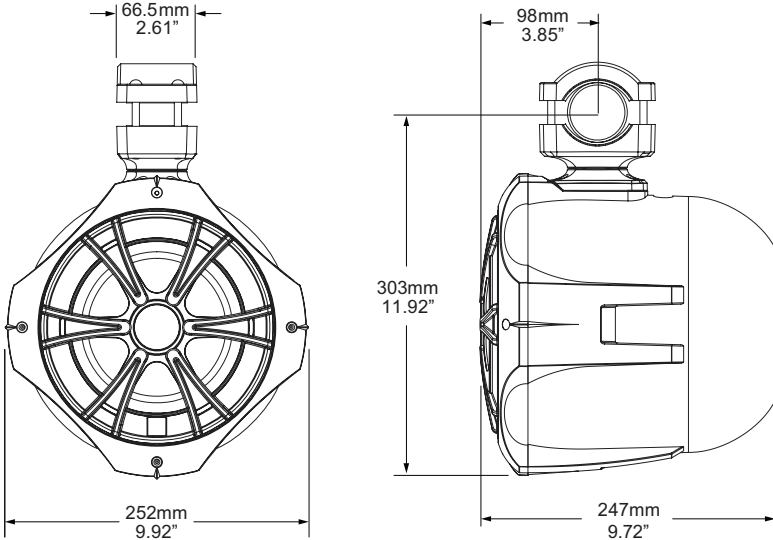
Preparation/Installation

Please read entire manual before installation.

Before You Start

- Disconnect negative battery terminal. Consult a qualified technician for instructions.
- Use extreme caution when drilling holes to avoid damaging fuel lines, hydraulic lines or existing wiring.
- If additional wiring is required, we recommend that you run all wires prior to mounting your speaker in place.
- Use the highest quality connectors for a reliable installation and to minimize signal and power loss.
- Use caution before you drill or cut! Be careful not to cut or drill into gas tanks, fuel lines, hydraulic lines, vacuum lines or electrical wiring.
- Avoid running wires over, near, or through sharp edged surfaces. We suggest you also use rubber grommets to protect any wires routed through metal.

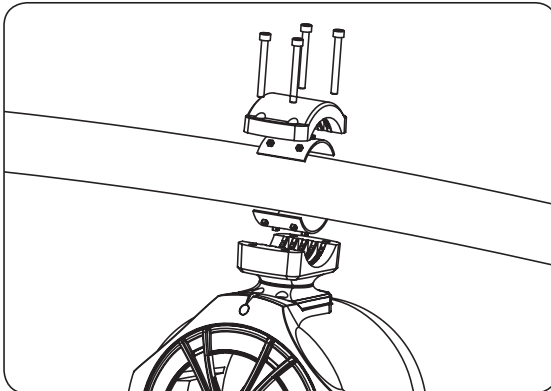
Dimensions



Clamp Mounting

The included clamping system is designed to support structures that utilize round tubing. Oval tubing and flat structures will not work with this clamp. The clamp can be used with tube diameters from 1.5" up to 2.75". Separate bushing sets for all tube sizes at 1/8" increments are included. Refer to the table below to determine optimal configuration.

Tube Diameter	Tube Circumference	Clamp	Top Bushing	Bottom Bushing
1.54	.71A		1.50	1.50
1.6255	.10A		1.63	1.63
1.75	5.50	A1	.751	.75
1.8755	.89A		none	1.88
.26	.28B		2.00	2.00
2.1256	.68B		2.13	2.13
2.25	7.07	B2	.252	.25
2.375	7.46	B2	.382	.38
2.57	.85B		2.50	2.50
2.6258	.25B		2.68	2.68
2.75	8.64	Bn	one	one

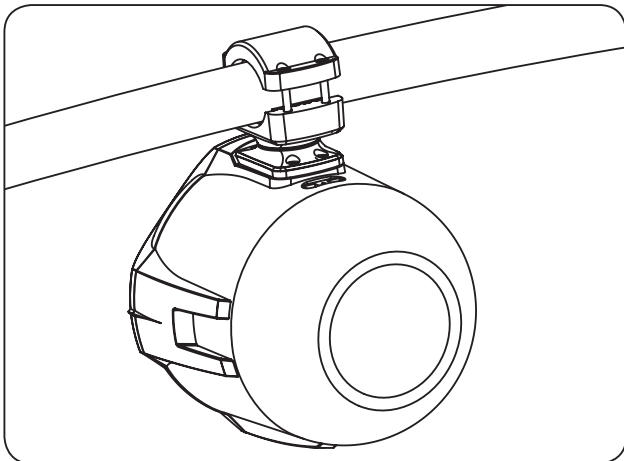
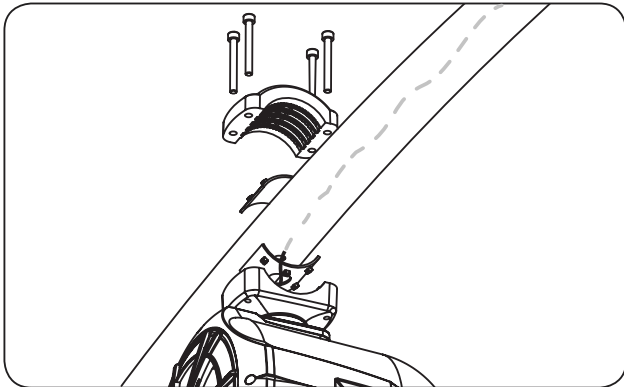




Wiring

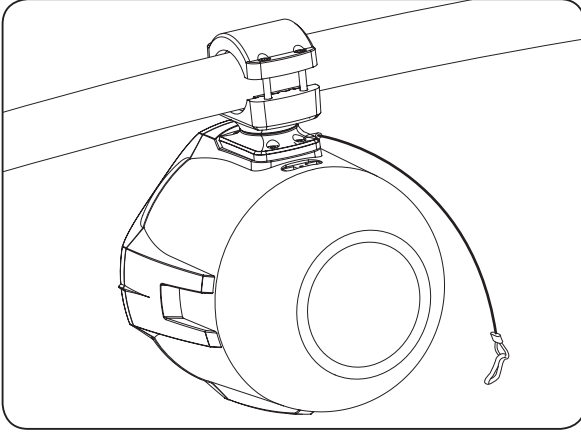
Carefully select a route for the audio signal wires. If using existing speaker wires, confirm that the wire is in good shape and not shorted. For the illumination wiring, route a positive and negative wire from a switched +12V source. Avoid routing wires through dangerous areas.

Black	Audio signal negative
Brown	Audio signal positive
Blue	Illumination negative
Yellow	Illumination positive



Safety Cable

The included safety cable is pre-installed on the unit.



Mounting Bracket Rotation

The mounting bracket rotates 360 degrees, allowing the speaker to rotate in any direction.

Step 1

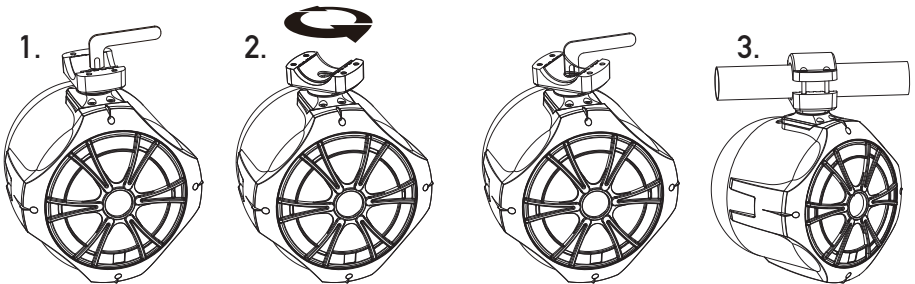
Loosen screw using the supplied tool.

Step 2

Rotate speaker to desired direction, then tighten screw to lock in place.

Step 3

Attach top bracket to bottom bracket using the four bolts. Make sure brackets are tightened all the way so there is no movement.





Limited One Year Warranty

This warranty gives you specific legal rights. You may also have other rights which vary from state to state.

Dual Electronics Corp. warrants this product to the original purchaser to be free from defects in material and workmanship for a period of one year from the date of the original purchase.

Dual Electronics Corp. agrees, at our option, during the warranty period, to repair any defect in material or workmanship or to furnish an equal new, renewed or comparable product (whichever is deemed necessary) in exchange without charges, subject to verification of the defect or malfunction and proof of the date of purchase. Subsequent replacement products are warranted for the balance of the original warranty period.

Who is covered? This warranty is extended to the original retail purchaser for products purchased and used in the U.S.A.

What is covered? This warranty covers all defects in material and workmanship in this product. The following are not covered: installation/removal costs, damage resulting from accident, misuse, abuse, neglect, product modification, improper installation, incorrect line voltage, unauthorized repair or failure to follow instructions supplied with the product, or damage occurring during return shipment of the product.

What to do?

1. Before you call for service, check the troubleshooting guide in your owner's manual. A slight adjustment of any custom controls or connections discussed in your instruction booklet may save you a service call.
2. If you require service during the warranty period, you must carefully pack the product (preferably in the original package) and ship it by prepaid transportation with a copy of the original receipt from the retailer to an authorized service center.
3. Please describe your problem in writing and include your name, a USA return shipping address (P.O. Box not acceptable), and a daytime phone number with your shipment.
4. For more information and for the location of the nearest authorized service center please contact us by one of the following methods:

- Call us toll-free at 1-866-382-5476
- E-mail us at cs@dualav.com

Exclusion of Certain Damages: This warranty is exclusive and in lieu of any and all other warranties, expressed or implied, including without limitation the implied warranties of merchantability and fitness for a particular purpose and any obligation, liability, right, claim or remedy in contract or tort, whether or not arising from the company's negligence, actual or imputed. No person or representative is authorized to assume for the company any other liability in connection with the sale of this product. In no event shall the company be liable for indirect, incidental or consequential damages.

Specifications

Woofers type	IMPP (Injection molded polypropylene)
Woofers surround	Rubber
Woofers size	8"
Tweeter type	Titanium dome
Tweeter size	1"
RMS Power	100W
Peak Power	400W
Sensitivity	90dB
Frequency response	70Hz - 20kHz
Impedance	4 Ohms
Enclosure type	UV-resistant ABS plastic

Design and specifications subject to change without notice.



Dual Electronics Corp.
Toll Free: 1-866-382-5476
9AM-5PM EST, Monday-Friday

www.dualav.com
©2016 Dual Electronics Corp. All rights reserved.

Other trademarks and trade names are those of their respective owners.

NSA0916-V01