



出逢いに感謝、お客様を大切

HOT SAKE DISPENSER

NE-1 SAKE BOTTLE TYPE

Standard Features



NE-1 is easy to set-up sake bottles with using caper; Pop a caper into a bottle, pop a bottle into a warmer



Indirect heat exchanger via water bath help to prevent the corruption of the original sake flavor. A water radiator system is a source of heat- exchanger used to transfer thermal energy from hot-water median to sake in the tub for warming.



The feature of auto feeding and stopping sake according to the proper position of serving bottle tray height is perfect for busy restaurants. Auto stop function saves the labor and provides the smooth operation during prime.



Control knob offers variable temperature ranges for your customers' favorite in the full range of regions, climates, and seasons.

Listing Agency



Two More Sake-warmers are Also Available

Taiko offers three different styles of hot-sake-dispensers for your convenience. Could you please ask your sales-representative for further details and verify which sake-warmer fits your needs?



◀ NEC-1 Cube Container



◀ NST-1 Self-Contained Tank

Project Name: _____
 Serial Number: _____
 Location: _____
 Quantity: _____
 Purchase Date: _____

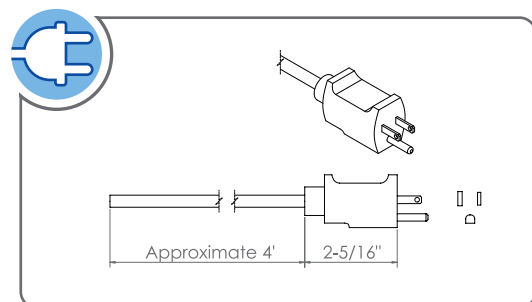


◀ NE-1

Description

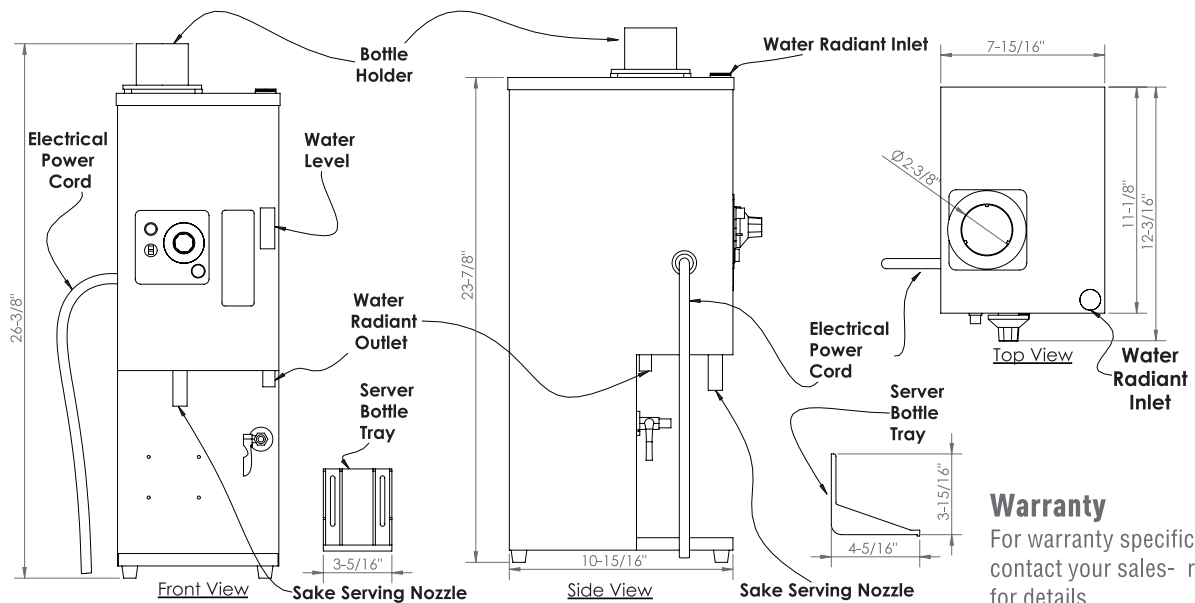
Taiko offers the Sake-warmer with a modern and sleek black exterior that meets any situation and restaurants; perfect for any kitchens, special events, caterers, and home use. The unit wholly pre-wired and assembled at the factory, so simple to serve, and feature technician-free installation with a smooth connection with 115/120V, 60Hz, 1phase. Unlike some other dispenser, drain system of sake dispenser in a water tank for ease of cleaning to keep your visitors' healthy condition.

Plug and Outlet Configuration



Dimensions & Specification

Model Number	NE-1
Item ID	2-040-03
Sake Supply Type	Sake Bottle Type
Sake Serving Bottle Outlet	One Sake serving Bottle
Heating Method	Indirect via Water Bath
Outer Dimension [Inch]	7.9"W x 11.0"D x 26.8"H
Outer Dimension [mm]	200 [mm] W x 280 [mm] D x 680 [mm] H
Power Consumption	AC110-120V, 50/60Hz, 1Phase, 500W
Weight	Apprx. 19.8[lb.] / 9.0[kg]
Safety Standard / Sanitizer	IAPMO EGS, UL197/NSF4 certification



Warranty

For warranty specific by product, contact your sales- representative for details.

SOLIDWORKS Educational Product.
For Instructional Use Only.

Note

Notice: Since Taiko Enterprise Corp. continues to research and improvement, specifications and dimension are subject to change without notice. Taiko reserves the right to change the product design such revisions do not entitle the buyer to corresponding change, improvements, additions or replacements for previously purchased equipment.



TAIKO ENTERPRISES CORP.

Taiko Enterprise Corporation since 1990

www.taikoUS.com • sales@taikoUS.com

[Los Angeles]

1467 178th St.
Gardena, CA 90248
Phone: (310)715-1888
Fax: (310)324-1115

[New York]

110 W 40th St.
#1604, New York
NY 10018
Phone: (212)757-5920
Fax: (212)757-5921

[Texas]

6817 K Ave.
Suite 101, Plano
TX 75074
Phone: (972)398-6868
Fax: (972)797-3329

[Hawaii]

720 Iwilei Rd.
Unit 30, Honolulu
HI 96817
Phone: (310)756-2327