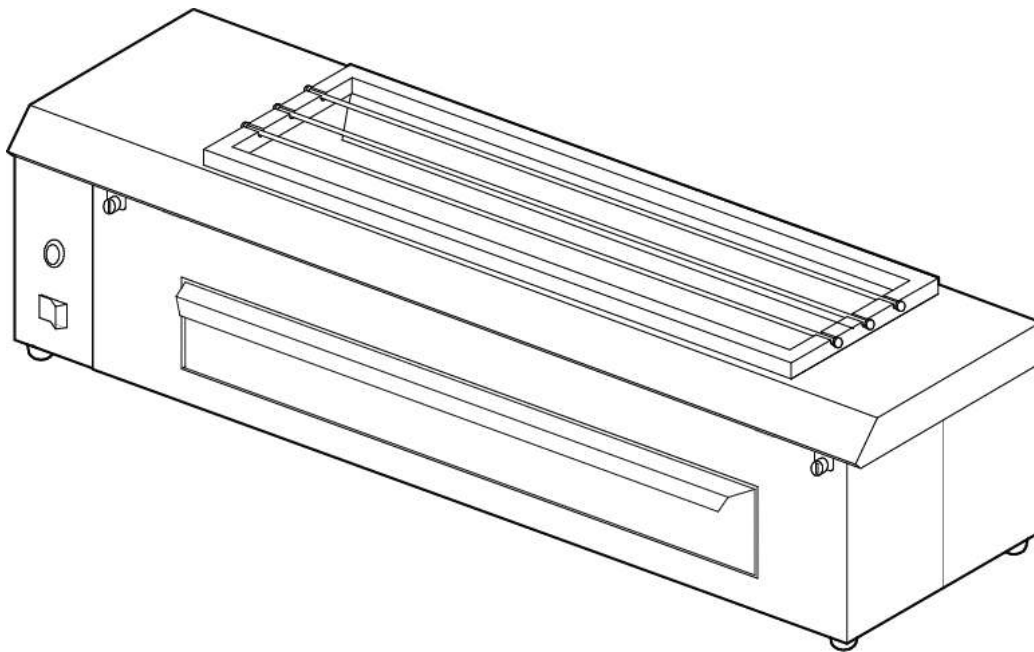




# ELECTRIC YAKITORI GRILL

MODEL: YS60-UL

4.8KW, AC 208V, 60Hz



## PRELIMINARY

Installation Instructions

Operating Instructions

**Commercial Use Only**

V. 1.0

TAIKO ENTERPRISES CORP.

Manufacturer: Minematsu Electric Co., Ltd.





The lightning flash with arrowhead symbol within an equilateral triangle is intended to alert the user to the presence of un-insulated dangerous voltage within the product's enclosure that may be of sufficient magnitude to constitute a risk of electric shock to persons.



The exclamation point within an equilateral triangle is intended to alert the user to the presence of important operating and maintenance(servicing) instructions in the literature accompanying the appliance.

**WARNING: TO REDUCE THE RISK OF FIRE OR ELECTRIC SHOCK , DO NOT EXPOSE THIS APPLIANCE TO RAIN OR MOISTURE.**

## **CONTENTS**

IMPORTANT SAFEGUARDS	4
PACKING	5
COMPLIANCE	5
BEFORE INITIAL USE	5
1. BEFORE GRILLING	6
1-1. Ventilation	6
1-2. Drip Water Pan	6
1-3. Water Pan & Base	6
1-4. Skewer & Baking Frame	7
2. OPERATING INSTRUCTIONS	7
2-1. Breaker Switch	7
2-2. Power Switch and Heater Switch	8
2-3. Heater on and Thermal Shut off device	8
3. INSTRUCTION FOR GRILLING	8
4. CLEANING & CARE	9
5. TROUBLESHOOTING	9
6. SPECIFICATIONS	10
7. 90-DAYS LIMITED WARRANTY	10
8. PARTS AND SERVICE	11
9. HOW TO OBTAIN REPLACEMENT PARTS	11

Before using it for the first time, take time to carefully read your instruction manual. Please observe all safety precautions and follow operating procedures. After reading, store your instruction manual in a safe place for your future reference.



**IMPORTANT: TO AVOID THE RISK OF ELECTRICAL SHOCK, BURNS OR SERIOUS PERSONAL INJURY THIS ELECTRIC YAKITORI GRILL MUST BE PROPERLY GROUNDED.  
MUST BE INSTALLED BY A LICENSED ELECTRICIAN.**

Read all instructions before using the YAKITORI GRILL

#### IMPORTANT SAFEGUARDS

- Do not use this appliance outdoors.
- Never touch hot surfaces. Always use hot pads or oven mitts while handling this appliance.
- To protect against fire, electric shock and injury, do not immerse the cord, plug or the appliance in water or any other liquid.
- The plug cord must be a grounded type-3 wire cord.
- Close supervision is necessary when this appliance is used by or near children.
- Before use, unwind the power cord completely and keep the cord away from the hot parts of the appliance.
- Do not let the power cord hang over the edge of a table, counter or touch hot surfaces. Keep the electric cord out of walkways so it will not be tripped over.
- Do not place the appliance on or near hot gas or electric burner, or in a heated oven.
- Do not operate the appliance if it has a damaged cord and/or plug, if the appliance has malfunctioned, or has been damaged in any manner. Contact the Service Department for examination, repair or replacement.
- Do not attempt to repair this appliance yourself.
- The use of accessories and/or attachments is not recommended and may result in fire, electric shock or injury.

- When not in use and before cleaning to avoid accidental electrical shock. Allow it to cool before cleaning.
- While the appliance is hot, even if power turned off, there is a danger of getting burned. Do not touch the appliance or place it into storage while hot.
- Do not use this appliance other than for its intended use.
- For use only with 208V. 60Hz power source.
- Use an electrical socket with a good ground connection.

## PACKAGING

1. YS60UL Commercial Yakitori Grill	1pc
2. Drip Water Pan	1pc.
3. Baking Frame	1pc.
4. Skewer	3pc.
5. Instruction Manual	1pc.

## COMPLIANCE



**PSE:**

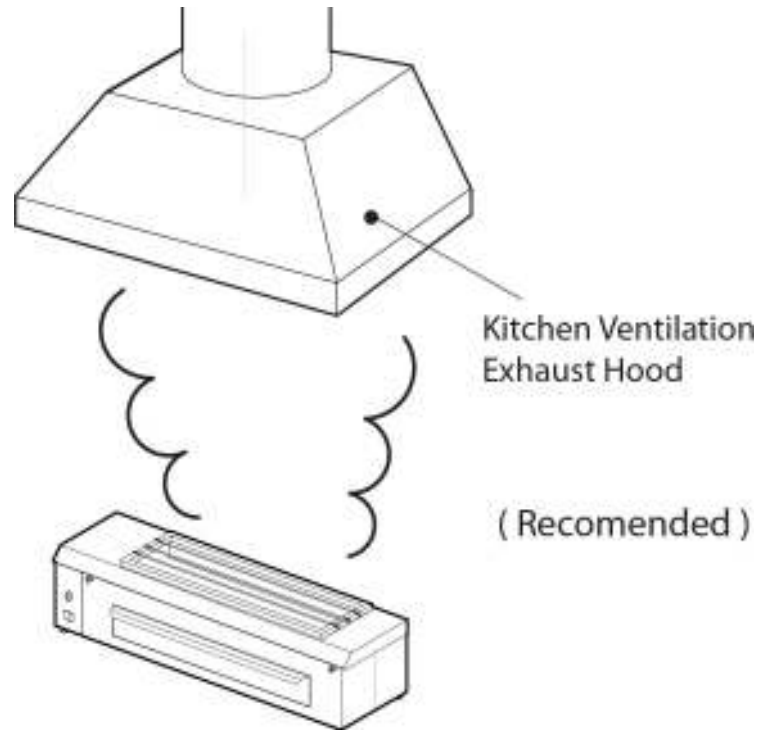
Product has been tested and complies with PSE regulation in Japan.

## BEFORE INITIAL USE

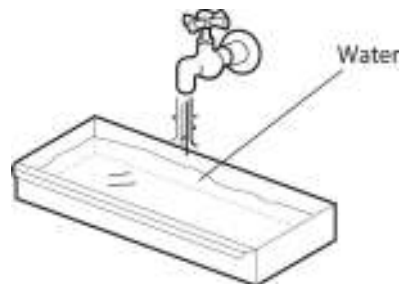
1. When using for the first time, remove all packaging materials and unwind the power cord from the appliance.
2. During the first use, this appliance may give off a slight odor. This is due to the newness of the product.
3. Clean the appliance with warm soapy water using a damp cloth, then dry it. Drip pan & Skewer is dishwasher safe. Grill body & cord is not dishwasher safe and cannot be immersed water at anytime.

## 1. BEFORE GRILLING

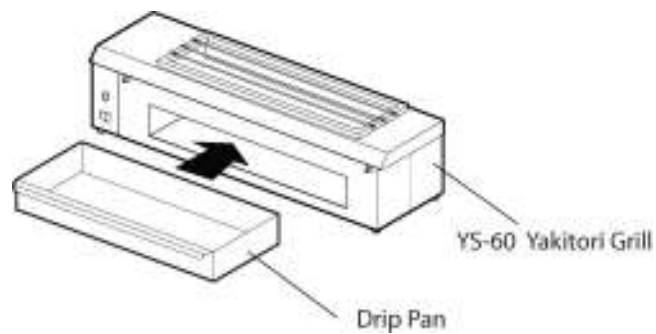
1-1. • Place the base on a heat-resistant countertop in a well ventilated area.



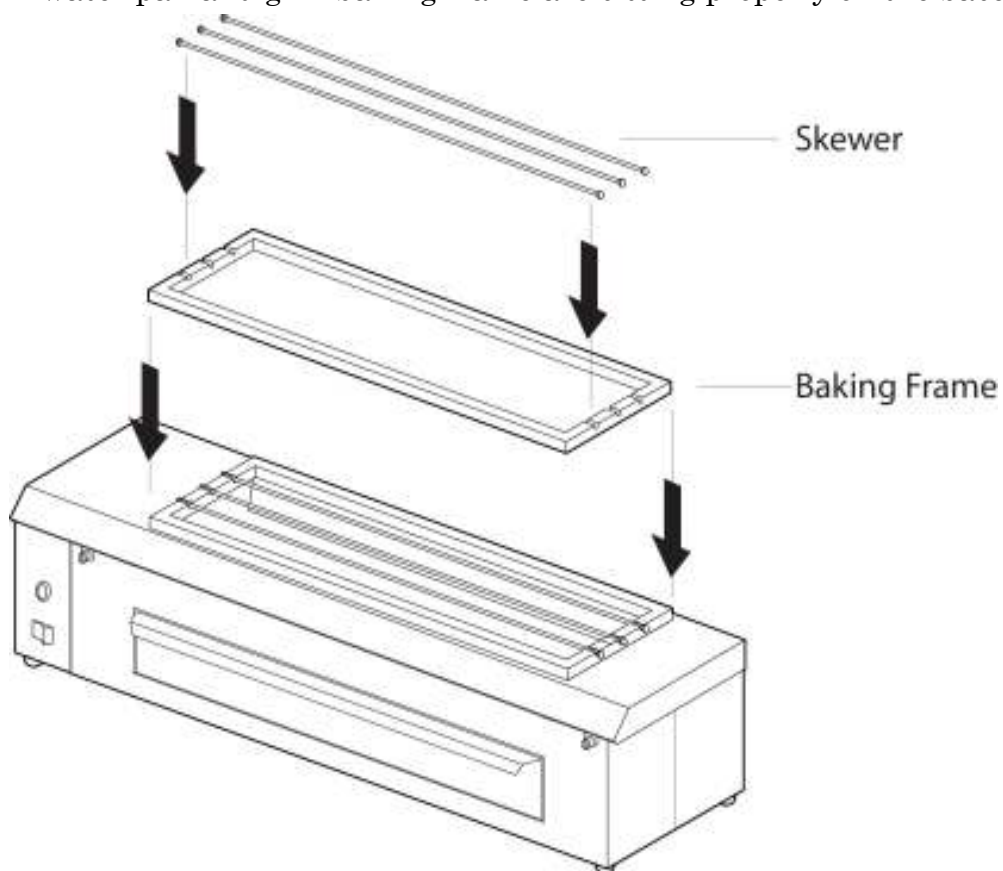
1-2. • Add water to the drip water pan, fully covering the bottom of pan.



1-3. • Place the drip water pan on the bottom of the base.



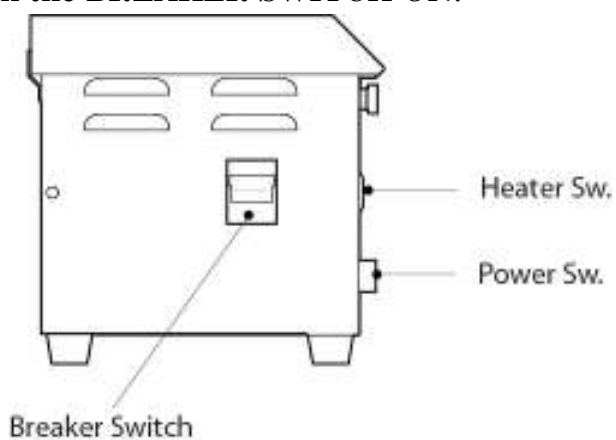
1-4. • Place the electric grill plate on top of the base and make sure the drip water pan and grill baking frame are sitting properly on the base.



## 2. OPERATING INSTRUCTIONS

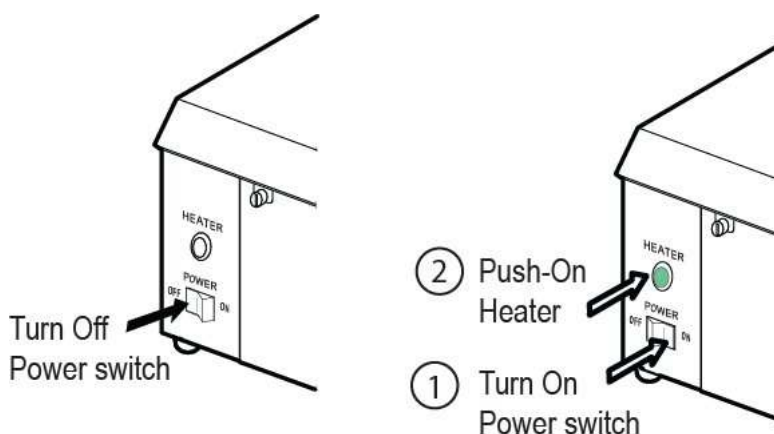
### 2-1. Breaker Switch

Turn the BREAKER SWITCH ON.



## 2-2. Power Switch and Heater Switch

- (1). Turn the Power Switch On, maintains a waiting state of heater switch.
- (2). Push –On Heater Switch, and indicator is lit.



**We also strongly recommended, end of work and day, it should be Turn Off Breaker Switch.**

## 2-3. Heater on and thermal shut off device

When the heater-on switch is pushed, the heater will be very hot in about two minutes. When the drip water pan water is empty, the heater thermal shut-off goes is activate and the heater shuts off until it cools down. Shut off time is dependant on the condition of use the water pan and ambient room temperature. The thermal shut off device is located in the bottom of the water pan support metal. **It is not recommended to use an empty the water pan as the heater life could be shortened.**

## 3. INSTRUCTIONS FOR GRILLING

- Allow unit to preheat. The light will come on indicating the power is on.
- Place food directly on the skewer of the grill. Grill food to desired doneness.
- Add water to drip pan to maintain coverage and do not overflow.

### CAUTION

1. Hot oil and liquid may splash as grease or juice hit the drip pan.  
Please be cautious while grilling.
2. Do not touch any hot surfaces while cooking. Certain parts of this



appliance become extremely hot while cooking and remain hot while the unit is cooling off.

3. Do not overload the grill surface.
4. For your safety, do not move the appliance when in use.

#### 4. CLEANING & CARE

Before any maintenance or cleaning, shut down the breaker switch and wait for it to cool down.

- Always clean your appliance after each use to prevent build up.
- Clean the unit only when it has completely cooled down.
- Remove skewer and baking frame of the grill and clean with warm soapy water.

Use a soft sponge or cloth to clean the grill surface.

- Remove drip water pan from the base and wash with warm soapy water. (Drip pan is dishwasher safe)
- Wipe the unit with, a dry & clean cloth.
- CAUTION: To avoid electric shock, DO NOT immerse the appliance in water or other liquids.

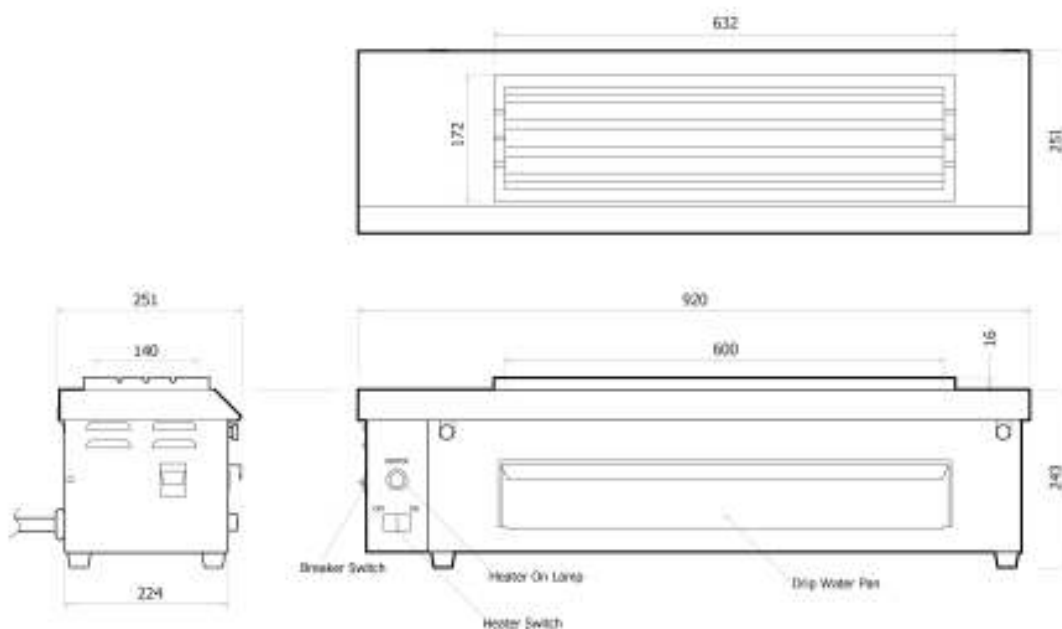
#### 5. TROUBLESHOOTING:

Before you call for service, review this list. It may save your time and expense

Problem	Cause	Solution
Grill will not start or a breaker trips on startup (no power light)	1. Cord not connected. 2. No power at outlet. 3. Problem with breaker switch.	1. Check that cord is plugged in. 2. Check circuit breaker at power distribution of the building. 3. Check breaker switch on position or replace breaker switch.
Heater lamp is off	1. No water in the pan. 2. Hi-cut-Sw has broken.	1. Put enough water in the pan and wait until cool down. 2. Check for open, replace Hi-cut-sw.
Heater lamp is on but no heater	1. Heater damage or defective.	1. Check heater and connection. Replace defective heater by a qualified service technician.

## 6. SPECIFICATIONS:

Model:	YS60-UL
Power Source:	208 Volts / Single Phase
Frequency :	50 / 60 Hz
Current:	23A
Power Consumption:	4800 Watts
Width:	920 mm
Height:	243 mm
Depth:	251 mm
Weight:	10 Kg



## 7. 90-DAY LIMITED WARRANTY

**Taiko Enterprises** warrants this appliance from failures in its materials and workmanship for **90 days** from the date of original purchase provided the appliance is operated and maintained in conformity with the instruction manual. Any defective part of the appliance will be repaired or replaced **at Taiko Enterprises**. Customers must provide proof of purchase when submitting a warranty claim. This warranty does not cover discoloration or any damage to the non-stick surfaces of the appliance. This warranty is null and void, as determined solely by **Taiko Enterprises**, if the appliance is damaged through accident, misuse, abuse, negligence, scratching, shipping

or if the appliance is altered in anyway.

If you think the appliance has failed or requires service within its warranty period, **please contact the Service Department for further instructions.**

Please include a description of the defect along with the date you purchased the product and the original receipt with the original purchase date.

A receipt proving the original purchase date will be required for all warranty claims, hand written receipts are not accepted. You may be instructed to return the appliance for inspection and evaluation. Return shipping costs are not refundable. **Taiko Enterprises** is not responsible for returns lost in transit.

Valid only in USA and Canada

#### 8. PARTS AND SERVICE

Prior to requesting service or purchasing replacement parts, please obtain your model and serial number from the product data.

- Model Number : YS60UL
- Serial Number: \_\_\_\_\_
- Date Purchased: \_\_\_\_\_

#### 9. HOW TO OBTAIN REPLACEMENT PARTS:

Replacement parts can be purchased email at [info@taikoUS.com](mailto:info@taikoUS.com) or by calling 310-715-1888.

Replacement parts can also be obtain at one of Authorized Service Centers.

#### TAIKO ENTERPRISES CORP.

L.A. Office: 1467 W. 178<sup>th</sup> Street, Gardena, CA 90248 U.S.A.

Tel:(310)715-1888 Fax:(310)324-1115

N.Y. Office: 130 West 42<sup>th</sup> St., #605 New York, NY 10036 U.S.A.

Tel:(212)757-5920 Fax:(212)757-5921

E-Mail: [sales@taikoUS.com](mailto:sales@taikoUS.com)

Web: [www.taiko-enterprises.com](http://www.taiko-enterprises.com)

Doc#:MN055

Printed in USA