



OWNERS MANUAL

Covert 16MP

CAM-H016-F



CONTENTS PAGE

Contents Page	2
Introduction	3
Important Safety Precautions	3
Product Specification	6
Contents	7
Getting to know your Camera	8
Getting Started	10
Camera Operation	15
AV Output	28
Connection to a Computer	29
Troubleshooting	31
Warranty	33

INTRODUCTION

Congratulations on the purchase of your new camera.

This manual contains important safety and operating information. Please read all the information carefully before you use the device to avoid accidents and keep it for future reference. Follow these important safety and operation instructions.

IMPORTANT SAFETY INSTRUCTIONS

- This Product is rated IP54, please ensure it is use within this environment
- Press the buttons gently. Pressing too hard can damage the product.
- Do not subject the camera to heat source or impact to avoid damage.
- Do not attempt to dismantle or repair this camera



yourself. Qualified personnel should perform repairs.

- Disconnect or remove all power source from the camera before cleaning.
- This product is not intended for commercial use. Household/personal use only.
- To prevent software failure, never disconnect the product from a PC while file transferring is in progress
- Keep your camera clean (use a dry soft cloth to clean. Do not use alcohol, thinners or benzene to clean the surface of the product).
- Do not kink USB and video cable and do not install it over sharp edges.
- Keep batteries away from children and pets.
- Insert the batteries observing the proper polarity (+/-). Failure to properly align the battery polarity can cause injury and/or property damage.



- Remove old or discharged batteries from the product.
- Remove the batteries when the product will not be used for extended periods of time to prevent damage due to rusted or corroded batteries.
- Never throw batteries into a fire, do not expose batteries to fire or other heat sources.
- Battery Disposal: Old or discharged batteries must be properly disposed of.
- Keep children away from batteries. If you suspect a battery has been swallowed, seek immediate medical assistance.

Attention: We have done our best to produce a complete and accurate manual. However, we cannot ensure that there are no errors or omissions during the printing process.



PRODUCT SPECIFICATION

- Video Resolution: 720P (1280 x 720 @ 30fps), 1080P (1920 x 1080 @ 20fps)
- Still Image: 3MP, 5MP, 8MP, 12MP, 16MP
- 2.4" Preview Screen
- IP54
- Triggering Distance: 20m
- Triggering Speed: 0.6secs
- Up to 7 images per trigger
- 46 IR Low Glow LED (850nm)
- Powered by 8 x AA batteries
- Expandable Micro SD Slot up to 32GB
- Works with Windows XP, Vista, 7, 8, 10, OSX 10.2 and above

NOTE: As a result of continual improvements, the design and specifications of the product within may differ slightly from the unit illustrated on the packaging.



CONTENTS

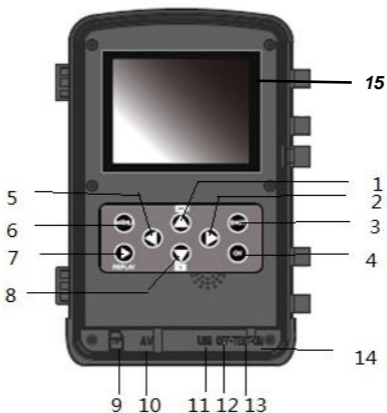
Please make sure that the items shown below are included in the package. Should an item be missing, please contact the local retailer from which you purchased this product

- | | | |
|----|----------------------------------|---------|
| 1. | Trail Camera | 1 piece |
| 2. | Mounting Bracket and Accessories | 1 piece |
| 3. | Mounting Strap | 1 piece |
| 4. | USB Cable | 1 piece |
| 5. | AV Cable | 1 piece |
| 6. | User Manual | 1 piece |



GETTING TO KNOW YOUR CAMERA

DEVICE OVERVIEW





1	Up/Video	2	Right
3	Shot	4	OK
5	Left	6	Menu
7	Replay	8	Down/Capture
9	Micro SD Slot	10	AV Output
11	USB Output	12	OFF (Mode Switch)
13	Test (Mode Switch)	14	ON (Mode Switch)

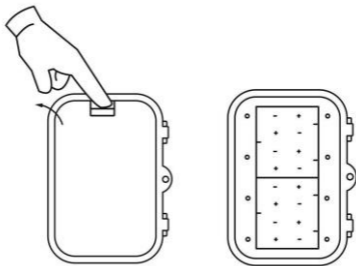
15	Preview Screen	16	IR LED
17	Lens	18	Motion Sensor
19	Side Motion Sensors		

GETTING STARTED

POWER SUPPLY

Please install batteries before using the camera.

Open the camera case and remove the battery cover. Install 8 pieces of 1.5V AA batteries. Please make sure they are inserted as per the (+ and -) symbols.



INSERTING MICRO SD CARD

This camera does not have internal memory.

You will need a Class 8 or higher Micro SD card and must be inserted for this camera to operate and record.

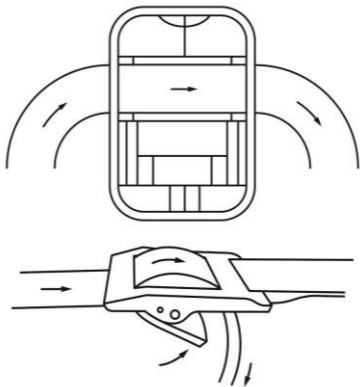
1. Turn off the camera
2. Find the Micro SD card slot, and then insert the Micro SD card by pushing it into place.
3. To remove the Micro SD card, push the card again until it partially ejects

Note: Some Micro SD cards may need to be formatted before using; this can be done via your computer.



MOUNTING STRAP

The Mounting strap can be used to attached the camera to a tree or other object



Position the camera and pull the loose end of the strap until the camera is firmly secured. To release the strap again, pull at the tab of the strap.

MOUNTING BRACKET

You can mount the camera permanently on a wall or tree using the below fasteners supplied with this product.

1. Tripod screw
2. Lock nut
3. Pivot bolts
4. Mounting holes
5. Hex Key
6. Wall plugs
7. Mounting screws



Installation

Tools required (not included)

1. Drill
2. 6 mm drill bit
3. Phillips head screwdriver

Please Note:

1. The supplied wall plugs the supplied wall plugs are only suitable for mounting on concrete and stone.
2. The camera can be tighten with the “Lock nut” .
3. The camera positioning can be adjusted by loosening and tightening the “Pivot bolts”.



4. The assembly material used must be suitable for the respective location. If in doubt, consult a professional.

CAMERA OPERATION

SETTING UP THE CAMERA

When first using the camera we need to adjust the settings to suit the planned recording method. Inside the camera you will find a switch that says OFF-TEST-ON.

OFF: The camera will be completely switched off.

TEST: Adjusts settings, manually take photos or videos and playback photos and videos.

ON: The camera is activated to take photos automatically as per your settings.



ADJUST SETTINGS

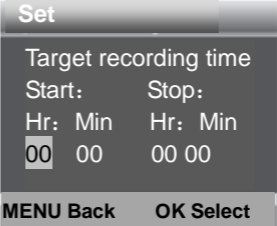
To adjust the settings move the mode switch to TEST and press the “Menu” button. Press the “Up/Down” buttons to select the setting and “OK” button to enter and confirm the setting.

MENU	FUNCTION
Mode	Set the mode of the camera Photo: The camera will just take pictures Video: The camera will only record video Photo & Video: The camera will take a photo first then record video Options: 【Photo】 / 【Video】 / 【Photo & Video】
Photo Resolution	Set the photo resolution for your pictures. Options: 【16MP】 / 【12MP】 / 【8MP】 / 【5MP】 / 【3MP】



Photo Series	Sets the number of continuous photos the camera can take in photo mode. Options: 【1】 / 【3】 / 【7】
Video Resolution	Set the video resolution for your videos. Options: 【1920 x 1080P】 / 【1280 x 720P】 / 【720 x 480P】 / 【640 x 480P】 / 【320 x 240P】
TL Video Resolution	Set the resolution of time lapse video. Options: 【2592x1944P】 / 【2048x1536P】
Video Length	Set the duration of recording a video clip. Options: 3 seconds - 10 minutes.
Audio Recording	The camera can record audio when recording video. Options: 【On】 / 【Off】
Shot Lag	When motion is detected the camera the will record straight away (approx. 0.6secs).

	<p>The Shot lag is the time the camera will wait after the 1st recording before the motion sensor will start working again.</p> <p>For example if you select 1 minute, after the 1st recording the camera does not record any images or videos during this 1 minute period. After 1minute has passed the motion sensor will be activated again and when motion is detected it will record.</p> <p>This prevents the memory card from being filled with unnecessary shots.</p> <p>Options: 5 seconds - 60 minutes.</p>
IR Distance	<p>Set the distance of infrared.</p> <p>Options: 【Near】 / 【Middle】 / 【Far】</p>

<p>Side Motion Sensors</p>	<p>Allows you to turn on/off the two side motion sensors.</p> <p>Options: 【On】 / 【Off】</p>
<p>Sensitivity Motion Sensors</p>	<p>Set the sensitivity of the motion sensor.</p> <p>Options: 【Low】 / 【Middle】 / 【High】</p>
<p>Target Recording Time</p>	<p>Set the target recording time. As shown in below picture, you can set the start and stop time. The camera will record just in the stated time; the camera will be on standby while not in the stated time.</p> <p>Options: 【On】 / 【Off】</p> 

Time Lapse

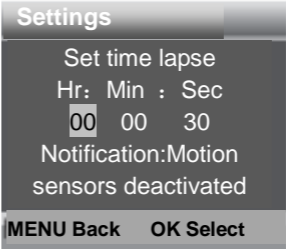
In Time lapse menu, there are three options as below.

Normal: The camera will take pictures automatically as per set time interval. For example set the interval time to 1 hour, the camera will take a photo every hour. If you want to record a plant flowering, the camera will take 24 photos in 24 hours.

TL Video: The camera will take pictures automatically as per set time interval. For example set the interval time to 1 hour, the camera will take a photo each hour. If the camera works for 24 hours, there will be 24 photos. These photos will be converted into a video.

Off: Close the time lapse function.

Options: **【Normal】 / 【TL Video】 / 【Off】**

	
Language	<p>Set the language display on the screen.</p> <p>Options: 【English】 / 【German】 / 【Danish】 / 【Finnish】 / 【Swedish】 / 【Spanish】 / 【French】 / 【Italian】 / 【Dutch】 / 【Portuguese】 / 【Simplified Chinese】 / 【Japanese】</p>
Endless Capture	<p>Records video loop.</p> <p>Options: 【On】 / 【Off】</p>
Time & Date	<p>Set the date and time of camera also adjust the format of the time and date.</p>

	<p>To adjust the time and date press Left/Right button to choose the value and the Up/Down button to adjust the value. Press the OK button to confirm.</p> <p>Options: 【Set time & date】/【Time format】 / 【Date format】</p>
Photo Stamp	<p>Stamp the Time/Date on the photos</p> <p>Options: 【Time & Date】 / 【Date】 / 【Off】</p>
Password Protection	<p>The password consists of 4 digits ranging from 0 to 9.</p> <p>Once a password is set “On”, user will need to remember it, as there is no reset function to unlock the camera</p> <p>Options: 【On】 / 【Off】</p>
Beep Sound	<p>Turn on or off the beep sound when the buttons are pressed.</p>

	Options: 【On】 / 【Off】
Format Memory Card	<p>Formatting the memory card will delete all data permanently be sure to save any information on your computer before formatting. Before using a new memory card or a card that has been used in another device previously, please format the memory card to ensure it works properly with the camera.</p> <p>Options: 【Yes】 / 【No】</p>
Serial Number	<p>Set a unique serial number for the camera. The serial number can consist of 4 digits ranging from 0 to 9.</p> <p>Options: 【On】 / 【Off】</p>
Reset Settings	This will restore the camera to the default settings (when the camera was purchased).

	Options: 【On】 / 【Off】
Version	Look up the firmware information of the camera

TEST MODE

In this mode you can adjust settings (above), take photos, record video and playback files manually. Move the mode switch to TEST.

Photos: Press the “Down/Capture” button to switch to photo mode. Press “Shot” button to take a picture.

Video: Press the “Up/Video:” button to switch to video mode. Press “Shot” button to start to record a video clip. Press the “Shot” button again to stop recording.

Playback: Press “Replay” button to enter the playback menu.



Press the “Up/Down” button buttons to select the files you want to review.

To playback video, press the “OK” button and press again to pause. Press the “Menu” button to stop playback. Press “Replay” button again to exit the playback mode.

Playback Menu:

While in playback mode, press the “Menu” button to access the settings and press again to exit the menu.

MENU	FUNCTION
Delete current file	Delete the current photo or video Options: 【Cancel】 / 【Delete】
Delete all files	Delete all photo and video files in the memory card. Options: 【Cancel】 / 【Delete】

<p>Activate slide show</p>	<p>Playback the photos in slide a slide show. Each photo will be displayed for 3 seconds. Press the “OK” button to stop playing.</p>
<p>Write protect</p>	<p>Use this function to protect the files from being deleted by accident.</p> <p>Options: 【Write-protect current file】 / 【Write-protect all files】/【Unlock current file】 / 【Unlock all files】</p>

ON MODE

After you have setup your camera and ready to use move the mode switch to ON. The camera will turn on, red LED on the front will flash and the screen will count down from 15 seconds. After 15 seconds the screen will turn black and the LED will stop flashing.



The camera will begin to operate independently and enter standby mode waiting for an object to be detected by the cameras motion sensor. Once detected, the camera will record photos/videos according to your settings. When the object has left the detection area the camera will return to standby mode waiting for another motion to activate it.

NIGHT MODE

During the night the infrared LEDs (IR LEDs) will turn on automatically (please note there will be a small clicking sound when they do). The LED's will provide necessary light for taking pictures or videos. In night mode the pictures and videos will only be displayed in black and white.



AV OUTPUT

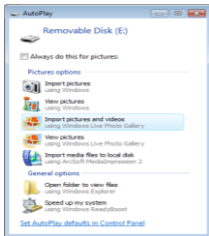
The camera can transfer the video signal to an external monitor or a television. Please follow below instructions to operate.

1. Connect the camera to the TV via provided AV cable.
2. Turn on the TV and set it to AV mode.
3. Turn on the camera; switch the Power button to “Test”.
4. Upon successful connection, the stored images/videos will appear on the TV. The camera screen will switch off.
5. Use the “UP” or DOWN” button to scroll through the recorded photos/videos.
6. Press “OK” to Play
7. Press the “REPLAY” button to stream live images.



CONNECTING TO A COMPUTER

1. Use the supplied USB cable to connect your camera to your computer.
2. After connected to the computer “USB” will appear on the screen of the camera.
3. Once inserted the computer the removable disk icon should be displayed on screen. The following menu should appear on your computer. From here you can Import or view all your files



Files stored on the camera are located in the folder named "DCIM".

4. Copy the photos or files to your computer.

Note: when watching the videos on your computer, please ensure you are using the latest version of your media player.



TROUBLESHOOTING

Problem	Solution
The exposure from the sun makes my images no good.	Place your camera in a North or South facing location this will help to prevent exposure issues from the sun.
Forgotten your Password	Please contact our customer support.
SD card not capturing images/video	Please check that your SD is suitable and format it before using

<p>AV input for TV</p>	<p>Check your TV manual on how to connect AV cables. Some TV may require a composite break-out cable or adapter which is not include in the product</p>
<p>I cannot upload images to the PC</p>	<p>Check all cable connections are secured.</p>
<p>The product does not respond</p>	<p>Reset the camera by removing the batteries for 1 minute, then put the batteries back and turn on.</p>
<p>The video files are very slow and bad resolutions when playing on my computer</p>	<p>Please ensure you have downloaded the latest version of your media player, or try such programs as VLC media player, Windows media, QuickTime.</p>

WARRANTY

OZtrail warrants this product against defects for a period of one year from the date of purchase. OZtrail will repair or replace the product, at its discretion, should a warrantable defect arise within the warranty period. If the exact model is unavailable a model of equivalent nature will be substituted at our discretion. This warranty excludes faults and failures caused by improper use and abuse; fair wear and tear; or failure to follow instructions regarding care and maintenance. Products used for a commercial nature are not covered by this warranty against defects. A warranty may be claimed by returning the product to its place of purchase, with a detailed proof-of-purchase clearly showing the date and detail of the purchase.



You may also contact OZtrail Leisure Products, by phone: 1300 362 921, or in writing: PO Box 1110, Eagle Farm QLD 4009, by email: warranty@oztrail.com.au. The benefits under OZtrail's warranty against defects are in addition to other rights and remedies under law in relation to goods.

Our goods come with guarantees that cannot be excluded under the Australian Consumer Law. You are entitled to a replacement or refund for a major failure and for compensation for any other reasonably foreseeable loss or damage. You are also entitled to have the goods repaired or replaced if the goods fail to be of acceptable quality and the failure does not amount to a major failure.

For more detailed information and an explanation of these terms see www.oztrail.com.au/warranty



Designed by:

OZtrail Leisure Products

71 Charles Ulm Place,

Eagle Farm, QLD 4009

AUSTRALIA

P 1300 362 921

www.oztrail.com.au

facebook.com/OZtrailAustralia

