



User Guide

# RECHARGEABLE HALO HEADLAMP 300L



## Aim Adjustment

Your Oz Trail Halo 300L Rechargeable Headlamp is equipped with a self-locking, six-position aim adjustment feature.

1. Grasp sides of headlamp and rotate to desired position. (Fig. 6)

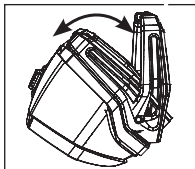


FIG. 6

---

## IMPORTANT INFORMATION

1. Operating time for your Oz Trail Halo 300L Rechargeable Headlamp depends on continuous or intermittent use. Intermittent operation extends the run time of the battery.
2. The LEDs are a lifetime light source. They will never need to be replaced.

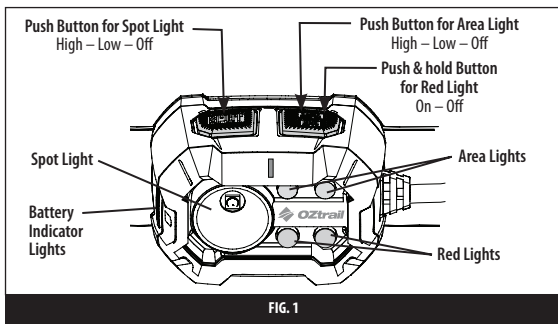


**WARNING!** Do not disassemble product. Do not charge the battery if the product / battery is cracked or damaged. Do not short terminals, crush, heat above 140 Degrees F. (60 Degrees C.), throw into a fire, or incinerate. Please recycle.

---



Carefully read all instructions before use and save for future reference. The diagram (Fig. 1) will help you locate and identify various features and functions used in the User Guide of your Oz Trail Halo 300L Rechargeable Headlamp.



## CHARGING THE BATTERY

Your Oz Trail Halo 300L Rechargeable Headlamp contains a rechargeable lithium-polymer battery.

1. Unplug USB connector from storage clip located on strap. (Fig. 2)

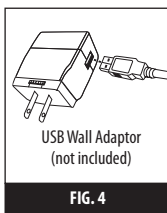
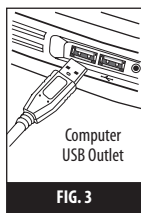
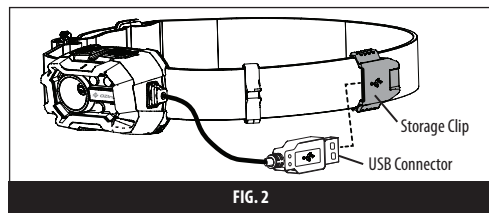
2. Plug USB cord into any USB outlet on computer, wall adaptor, etc. (Fig. 3 & 4)

**NOTE:** Charging while using a USB wall adaptor (not included) will be faster than a computer USB port.

3. When properly charged, the indicator bar lights on the side of the headlamp will glow green. (Fig. 1)

**NOTE:** Recharge the battery immediately when light output is low. Red indicator light will turn on when battery is low.

4. When battery charging is complete, push USB connector into storage clip on headband to secure. (Fig. 2)



Your Oz Trail Halo 300L Rechargeable Headlamp has easy access multiple switch functions: Spot Light Button Switch for Spot Light, Area Light/Red Light Switch for softer area lighting and a Red Light mode to preserve your night adapted vision.

## OPERATION

**Spot Light Button Switch:**

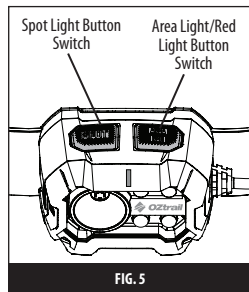
1. Press once for "High", twice for "Low", third to turn "Off". (Fig. 1 & 5)

**Area Light/Red Light Button Switch:**

1. Press once for "High", twice for "Low", third to turn "Off" area light. (Fig. 1 & 5)

**To access Red Light Mode:**

1. Press and hold down Area Light/Red Light Button Switch until red light turns to "ON" (approximately 2 seconds), twice to turn "Off". (Fig. 1 & 5)



(continued on back panel)